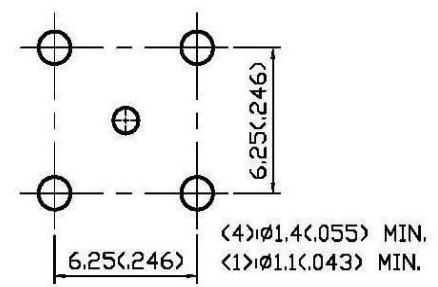
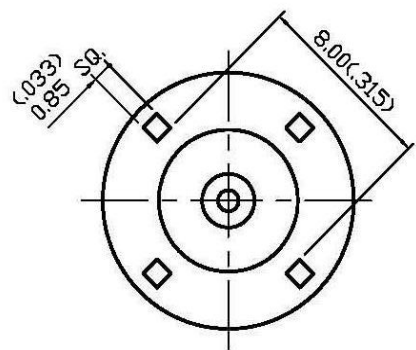
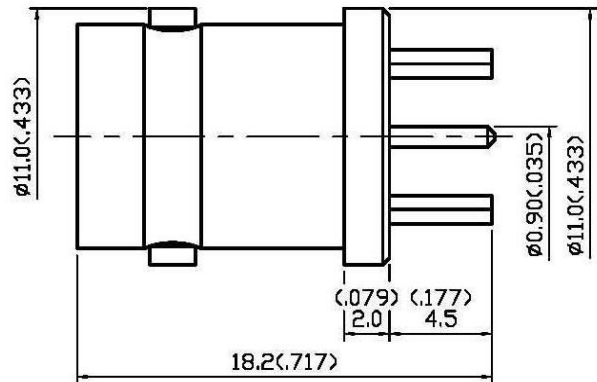


| NO | DESCRIPTION  | DATE      |
|----|--|-----------|
| △  | WORKING VOLTAGE<br>VOLTAGE RATING<br>DEL PROOF VOLTAGE | 07.22.13' |



MOUNTING HOLE

**1.0 ELECTRICAL**

- 1.1 FREQUENCY RANGE: DC-1 GHz
- 1.2 NOMINAL IMPEDANCE: 75 OHMS
- 1.3 VOLTAGE RATING: 500 VOLTS MAX. △

**2.0 MATERIALS**

- 2.1 BODIES: BRASS PER JIS-C3604
- 2.2 CENTER CONTACT: BRASS PER JIS-C3604
- 2.3 INSULATION: TEFLON PER ASTM D1457 AND ASTM D1710

**3.0 FINISHES AND OTHERS**

- 3.1 SEE BELOW TABLE FOR DETAILS.

**4.0 ENVIRONMENTAL**

- 4.1 OPERATING TEMPERATURE RANGE: -85° C TO +165° C

| NO | DESCRIPTION    | MATERIAL | Q'TY | FINISH            |
|----|----------------|----------|------|-------------------|
| 4  | BODY           | BRASS    | 1    | NICKEL 100μ" MIN. |
| 3  | INSULATION     | TEFLON   | 1    | NONE              |
| 2  | WASHER         | BRASS    | 1    | NICKEL            |
| 1  | CENTER CONTACT | BRASS    | 1    | GOLD              |

(P/N:5464033)

APPROVED

by \_\_\_\_\_ DATE: \_\_\_\_\_



| DESCRIPTION |          | BNC STRAIGHT PCB MOUNT JACK RECEPTACLE |    |               |         |         |    |      |
|-------------|----------|--|----|---------------|---------|---------|----|------|
| 製圖          | DRAWN    | TOLERANCE                              | 品名 | 13-22-1 T.G.N | 日期      | DATE    | 版次 | REV. |
|             | Yoko     |  |    |               |         |         |    |      |
| 檢圖          | CHECK    | .XX ±0.1                               | 單位 | mm(in)        | DWG.NO. | 13-0166 |    |      |
|             | Arc      |  |    |               |         |         |    |      |
| 認定          | APPROVAL | .XXX ±0.05                             | 比例 | SCALE         |         |         |    |      |
|             | Angela   |  |    |               |         |         |    |      |