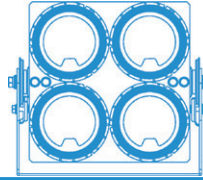


# MODULAR LED FLOODLIGHT



## LF60 4 SERIES



Wide beam model



Narrow beam model

### Key Features

- Triac dimming compatible (**220V-240VAC & 100V-120VAC only**)
- Designed with reliable AC driver on board to enhance the service life
- Rapid heat-dispersing design to prolong lamp life and optimise lumen output
- Long service life of 100,000 hours @ 50°C (Ta)
- Compact and lightweight design
- Interchangeable module
- Safety, EMC and IEC compliance



### Application

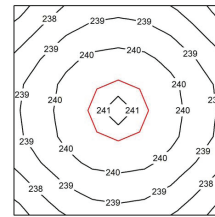
Decks, Marinas, Docks, Ports, Warehouses

### Material

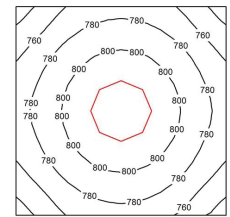
Marine grade aluminium alloy with powder coating, comes with 4mm tempered glass front cover

### Weight

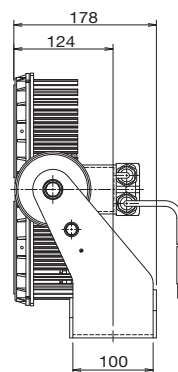
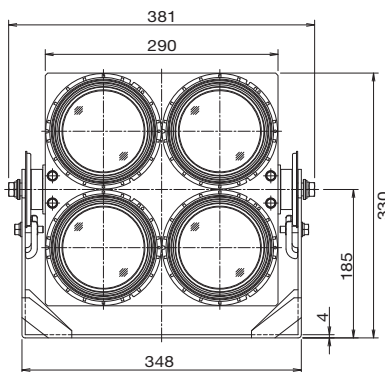
9.3Kg



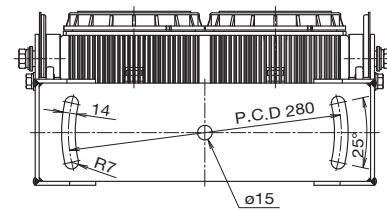
Wide beam model:  
Average Lux : 239lx  
Mounting Height : 5 Meters  
Measurement Area : 1m<sup>2</sup>



Narrow beam model:  
Average Lux : 789lx  
Mounting Height : 5 Meters  
Measurement Area : 1m<sup>2</sup>



[mm]



## TECHNICAL SPECIFICATIONS IP 66

Ideal Replacement:



BH Code	Type	Main Voltage	Power	CCT	Beam Angle	Ambient Temp (Ta)	System Lumen
LF60F045KA22	LF60-4F	220V - 240V AC	224W	5000K	115°	-40°C ~ +50°C	22000lm
LF60N045KA22	LF60-4N	220V - 240V AC	224W	5000K	45°	-40°C ~ +50°C	21600lm
LF60F035KA11	LF60-4F	100V - 120V AC	224W	5000K	105°	-40°C ~ +50°C	18000lm
LF60N045KA11	LF60-4N	100V - 120V AC	224W	5000K	45°	-40°C ~ +50°C	18000lm
LF60F045KD24	LF60-4F	24V DC	224W	5000K	130°	-40°C ~ +50°C	19600lm
LF60N045KD24	LF60-4N	24V DC	224W	5000K	35°	-40°C ~ +50°C	18400lm

Also available in other CCT and beam angle upon request.

Due to our continuous development and product improvement policy, we reserve the rights to revise the specifications of all products without prior notice.

