



## Main

|   |  |
|---|--|
| Range of product  | Telemecanique Pressure sensors XM  |
| Product or component type                               | Electromechanical pressure sensor  |
| Pressure sensor type                                    | Electromechanical pressure sensor  |
| Device short name                                       | XMLA   |
| Pressure sensor size                                    | 160 bar  |
| Controlled fluid  | Hydraulic oil (0...160 °C)   |
| Fluid connection type                                   | PT 1/4 (female)  |
| Electrical connection                                   | Screw-clamps terminals, 1 x 0.5...2 x 2.5 mm <sup>2</sup>  |
| AWG gauge   | AWG 20...AWG 14  |
| Cable entry   | Cable gland 7...13 mm  |
| Contacts type and composition                           | 1 C/O  |
| Product specific application                            | -  |
| Pressure switch type of operation                       | Detection of 1 single threshold  |
| Electrical circuit type                                 | Control circuit  |
| Scale type  | Fixed differential   |
| Local display   | With   |
| Adjustable range of switching point on rising pressure  | 10...160 bar   |
| Adjustable range of switching point on falling pressure | 4.5...142 bar  |
| Maximum permissible accidental pressure                 | 360 bar  |
| Destruction pressure                                    | 720 bar  |
| Pressure actuator                                       | Piston   |
| Materials in contact with fluid                         | FPM, FKM<br>Brass<br>PTFE<br>Steel   |
| Enclosure material                                      | Zinc alloy   |
| [In] rated current                                      | 3 A, B300, AC-15 (U <sub>e</sub> = 120 V) conforming to EN/IEC 60947-5-1<br>1.5 A, B300, AC-15 (U <sub>e</sub> = 240 V) conforming to EN/IEC 60947-5-1<br>0.1 A, R300, DC-13 (U <sub>e</sub> = 250 V) conforming to EN/IEC 60947-5-1 |

## Complementary

|  |   |
|--|---|
| Natural differential at low setting      | 5.5 bar (+/- 1 bar)   |
| Natural differential at high setting     | 18 bar (+/- 3 bar)  |
| Maximum permissible pressure - per cycle | 200 bar   |
| Terminal block type                      | 4 terminals   |
| Maximum operating rate                   | 60 cyc/mn   |
| Repeat accuracy                          | 2 %   |
| [Ui] rated insulation voltage            | 300 V conforming to UL 508<br>500 V conforming to EN/IEC 60947-1<br>300 V conforming to CSA C22.2 No 14 |

|  |  |
|--|--|
| [Uimp] rated impulse withstand voltage | 6 kV conforming to EN/IEC 60947-1  |
| Auxiliary contacts operation           | Snap action  |
| Contacts material                      | Silver contacts  |
| Maximum resistance across terminals    | 25 MOhm conforming to IEC 255-7 category 3<br>25 mOhm conforming to NF C 93-050 method A |
| Short-circuit protection               | 10 A cartridge fuse, type gG (gl)  |
| Mechanical durability                  | 6000000 cycles   |
| Setting                                | External   |
| Height                                 | 113 mm   |
| Depth                                  | 75 mm  |
| Width                                  | 35 mm  |
| Product weight                         | 0.75 kg  |




## Environment

|                                       |  |
|---------------------------------------|--|
| Standards                             | CE<br>EN/IEC 60947-5-1<br>UL 508<br>CSA C22.2 No 14  |
| Product certifications                | BV<br>CSA<br>CCC<br>LROS (Lloyds register of shipping)<br>EAC<br>UL                                  |
| Protective treatment                  | TC standard version  |
| Ambient air temperature for operation | -25...70 °C  |
| Ambient air temperature for storage   | -40...70 °C  |
| Operating position                    | Any position   |
| Vibration resistance                  | 4 gn conforming to IEC 60068-2-6 (f = 30...500 Hz)   |
| Shock resistance                      | 50 gn conforming to IEC 60068-2-27   |
| Electrical shock protection class     | Class I conforming to IEC 1140<br>Class I conforming to IEC 536<br>Class I conforming to NF C 20-030 |
| IP degree of protection               | IP66 conforming to EN/IEC 60529  |

## Packing Units

|                              |           |
|------------------------------|-----------|
| Unit Type of Package 1       | PCE       |
| Number of Units in Package 1 | 1         |
| Package 1 Height             | 4.0 cm    |
| Package 1 Width              | 7.8 cm    |
| Package 1 Length             | 11.6 cm   |
| Package 1 Weight             | 752.0 g   |
| Unit Type of Package 2       | S02       |
| Number of Units in Package 2 | 13        |
| Package 2 Height             | 15.0 cm   |
| Package 2 Width              | 30.0 cm   |
| Package 2 Length             | 40.0 cm   |
| Package 2 Weight             | 10.087 kg |

## Offer Sustainability

|                            |  |
|----------------------------|--|
| Sustainable offer status   | Green Premium product  |
| REACH Regulation           |  <a href="#">REACH Declaration</a>  |
| EU RoHS Directive          | Pro-active compliance (Product out of EU RoHS legal scope)  <a href="#">EU RoHS Declaration</a> |
| Mercury free               | Yes  |
| RoHS exemption information |  <a href="#">Yes</a>  |

---

|                           |   |
|---------------------------|---|
| Environmental Disclosure  | <a href="#">Product Environmental Profile</a>   |
| California proposition 65 | WARNING: This product can expose you to chemicals including: Diisononyl phthalate (DINP), which is known to the State of California to cause cancer, and Di-isodecyl phthalate (DIDP), which is known to the State of California to cause birth defects or other reproductive harm. For more information go to <a href="http://www.P65Warnings.ca.gov">www.P65Warnings.ca.gov</a> |

---

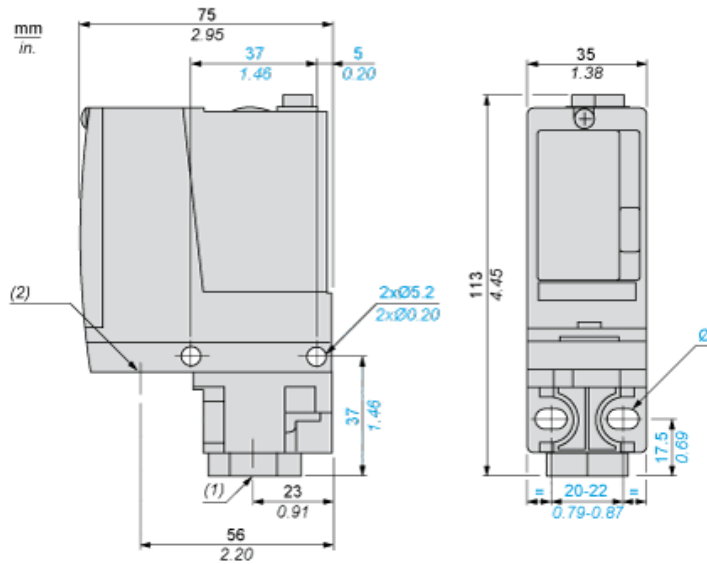
### Contractual warranty

---

|          |           |
|----------|-----------|
| Warranty | 18 months |
|----------|-----------|

---

Dimensions



- (1) 1 fluid entry, tapped PT 1/4 (JIS B0203)
- (2) 1 electrical connections entry, tapped 1/2" PF (JIS B0202)
- Ø : 2 elongated holes Ø 5.2 x 6.7

---

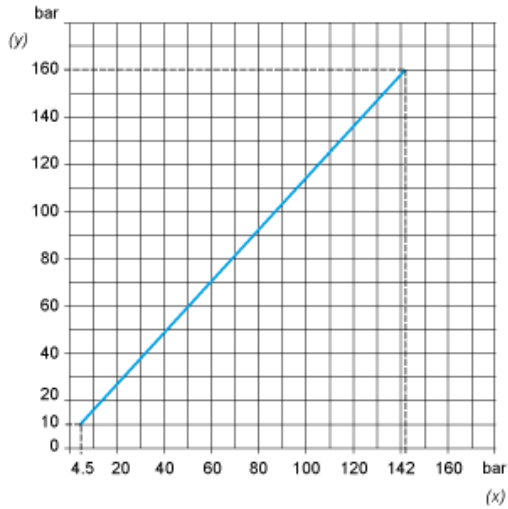
Wiring Diagram

---

Terminal Model



Operating Curves



(y) Rising pressure  
(x) Falling pressure



(y) Pressure  
(x) Time  
(1) Adjustable value  
(2) Non adjustable value  
PH : High point  
PB : Below point