




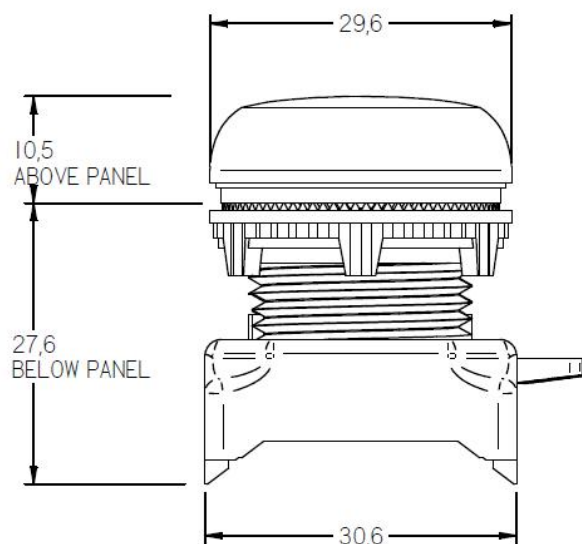


## Datasheet

Stock Number:	188-1201	188-1202	188-1203	188-1205	188-1206	188-1207
Colour:						
	<b>RED</b>	<b>BLUE</b>	<b>WHITE</b>	<b>YELLOW</b>	<b>GREEN</b>	<b>AMBER</b>

## Pilot Light Head 22mm



Pilot Light heads for use with the RS pro modular plastic push button series. Robust design in a variety of colours with modern silver coloured bezel. Simple installation via standard lock nut.

### Specifications:

- 22mm Diameter
- IP65 rated

<b>Stock Number:</b>	188-1201	188-1202	188-1203	188-1205	188-1206	188-1207
						
<b>Colour</b>	Red	Blue	White	Yellow	Green	Amber
<b>Cut out Diameter</b>	22.5mm					
<b>Style</b>	Pilot Light					
<b>IP Rating</b>	IP65					
<b>IP Rating</b>	IP65					
<b>Shape</b>	Round					
<b>Mounting Type</b>	Panel Mounted					
<b>Body Material</b>	Plastic					

**Accessories:**

Stock Number	Accessory Type
188-1172	LED Light Block Red 12Vac/dc
188-1173	LED Light Block Blue 12Vac/dc
188-1174	LED Light Block White 12Vac/dc
188-1176	LED Light Block Yellow 12Vac/dc
188-1177	LED Light Block Green 12Vac/dc
188-1178	LED Light Block Amber 12Vac/dc
188-1179	LED Light Block Red 24Vac/dc
188-1180	LED Light Block Blue 24Vac/dc
188-1182	LED Light Block White 24Vac/dc
188-1183	LED Light Block Yellow 24Vac/dc
188-1184	LED Light Block Green 24Vac/dc
188-1185	LED Light Block Amber 24Vac/dc
188-1186	LED Light Block Red 110Vac
188-1187	LED Light Block Blue 110Vac
188-1188	LED Light Block White 110Vac
188-1189	LED Light Block Yellow 110Vac
188-1190	LED Light Block Green 110Vac
188-1191	LED Light Block Amber 110Vac
188-1192	LED Light Block Red 240Vac
188-1193	LED Light Block Blue 240Vac
188-1194	LED Light Block White 240Vac
188-1195	LED Light Block Yellow 240Vac

188-1196	LED Light Block Green 240Vac
188-1198	LED Light Block Amber 240Vac