



# C-RANGE

INFRARED SIGHTGLASSES

**NOW AVAILABLE FOR  
ZONE 1 HAZARDOUS AREAS**

## MOTORS



## TRANSFORMERS



## SWITCHGEAR



- **SAFE-** 40kA ARC-FLASH TESTED  
Successfully Arc-flash tested to a maximum of 40kA. Testing carried out to both IEEE C37 and IEC62271-200 for worldwide compliance.
- **RUGGED-** NEMA TYPE 3/12 & IP65 RATED  
Certified by UL, SIRA and Lloyds of London for installation into both indoor and outdoor equipment
- **FLEXIBLE-** BROADBAND CRYSTAL OPTIC  
Broadband optic suitable for all IR cameras uses the CLIRVU® coating system, providing flexibility and longevity. Only Hawk IR can provide a lifetime guarantee on the CLIRVU® coated crystal optics.
- **SECURE-** SAFE INSTALLATIONS  
Unique mounting system allows for safe, single person installation & retro-fitting with NO dangerous internal fasteners required.

The only IR Sightglass endorsed by

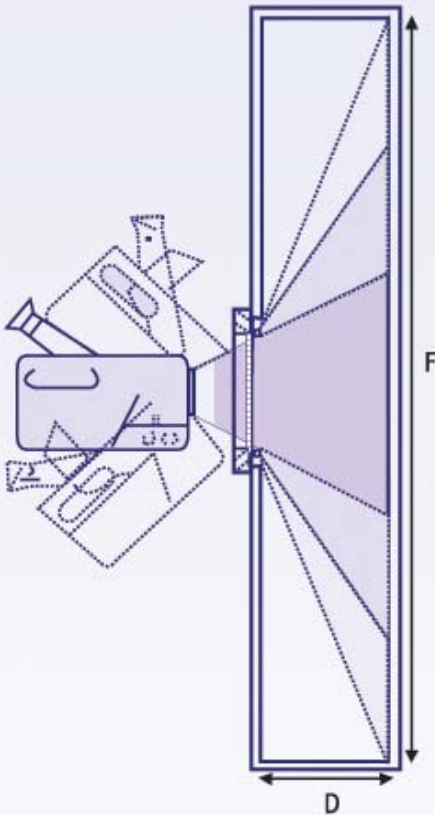


THE INFRARED SIGHTGLASS PEOPLE

## FIELD OF VIEW

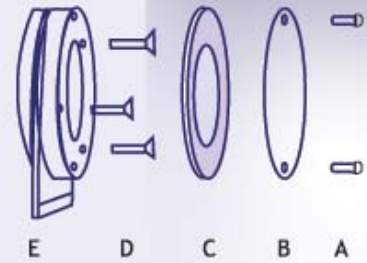
Equal to six times the cabinet depth (F=Dx6)

Section through control cabinet Hawk I.R. shown open.



## EXPLODED VIEWS

- A Security Screws
- B Aluminium Cover
- C Front Gasket
- D Fixing Screws
- E Complete Sightglass Housing



## PRODUCT SERIAL CODE

Format: HWK=BBB=C=D=E  
E.g. HWK-075-C-L (A 3" C-Type Unit with LSF Gaskets)

HWK-Prefix denoting Hawk I.R. product (generic)

### BBB (SIZE)

- 050=<2" Crystal Insert size
- 075=<3" Crystal Insert Size
- 100=<4" Crystal Insert Size

### C (VIEWING MATERIAL)

C=C-Type I.R. Material

### D (GASKET MATERIAL)

L=LSF (Low Smoke & Fume)

### E (KWIK-TWIST OPTION)

KT=Kwik-Twist (Magnetic cover)

## LENS

C Type

Solubility

-CLIRVU® Coated Crystal (Totally insoluble)

Thickness

-0.081"

Pressure withstand

-Upto 90psi

Melting Temperature

-1350C/2474F

I.R. Transmission

-Upto 96%

Wavelength

-0.13 to 10.0 micrometers

Other crystal types available

### INGRESS PROTECTION

IP 65 CERTIFIED BSEN60529

UL Recognised for NEMA 3/12 equipment

### FIXING SCREWS

Stainless Steel

### PROTECTIVE COVER

Aluminum

### FRAME

Aluminum to BS6082-T6

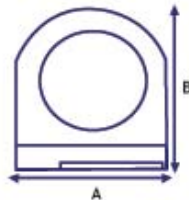
Anodised to DEF STAN 03-25/3 aa 8-13

### GASKETS (Other materials available)

LSF -94°F to +482°F

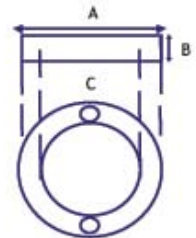
### FOOTPRINT DIMENSIONS

Type	A	B
050	2.6"	3.5"
075	4"	4.9"
100	4.9"	6"



### ACTUAL DIMENSIONS

Type	A	B	C
050	2.5"	0.7"	1.7"
075	4"	0.7"	2.7"
100	4.9"	0.75"	3.5"



HAWK I.R. International Ltd.  
US Contact Tel: 1-877-4-HAWKIR  
UK Contact Tel: +44(0)1642 497000  
Email: sales@hawk-ir.com  
Web: www.hawk-ir.com



Hawk IR Sightglasses are manufactured by Cockburn Thermal Imaging Ltd an ISO9000 registered infrared window manufacturer.

US Toll free number 1-877-4-HAWKIR

SIGHTGLASS DATASHEET C-RANGE