

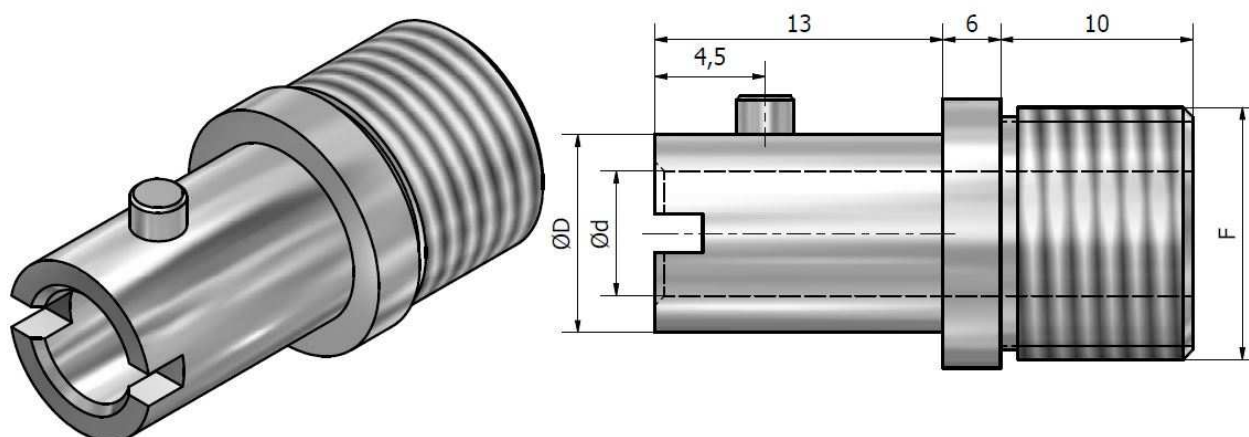


Data sheet

SENSOR BAYONET BASE

ENGLISH

RS Stock No. 324-2364



SENSOR BAYONET BASE

USE : Plastic factory

MATERIAL : Nickel plated brass

Lock type possible :

- A = $\varnothing 10.5 \times 14$ mm
- B = $\varnothing 12.3 \times 14.5$ mm
- C = $\varnothing 12.5 \times 18$ mm
- D = $\varnothing 14.5 \times 18$ mm
- E = $\varnothing 15 \times 18$ mm
- F = $\varnothing 10.6 \times 14$ mm

| Characteristics : | C6 | L6 | L8 | D8 |
|----------------------|------|-------|-------|------|
| $\varnothing D$ (mm) | 10.3 | 12 | 12 | 14.2 |
| $\varnothing d$ (mm) | 5-6 | 5-6 | 8 | 8 |
| For lock type : | A-F | B-C-G | B-C-G | D-E |

Other Dimensions :

| Thread F | C6 | L6 | L8 | D8 |
|------------------|----------|----------|----------|-----------------|
| M10 X 100 | 324-2099 | 324-2184 | | |
| M10 X 150 | 324-2106 | 324-2190 | | |
| M12 X 100 | 324-2128 | 324-2207 | 324-2314 | |
| M12 X 175 | 324-2134 | 324-2213 | 324-2320 | 324-2364 |
| M14 X 150 | 324-2140 | 324-2229 | 324-2342 | |
| 1/4" GCY | 324-2162 | 324-2241 | | 324-2386 |
| 1/8" NPT | 324-2178 | | | |