



ENGLISH

Datasheet

RS PRO Brass Manual Ball Valve, 22 mm BSPP Compression, 22mm, 16bar

RS Stock number **486-378**



Features and Specifications:

Hot forged sand blasted CR unplated body and cap sealed with Loctite,

Valve design and construction approved by Danish Board of European Technical Approval for Construction products (DK), Byggeforsk (N) according to NKB product rules no.12. "Metal compression fittings for copper tubes", Ympäristöministeriön Tyypilyhyväksyntäpäätös (SF), Swedcert (S),

Dezincification Resistant ADZ-T and ADZ-P brass approved to SBN-PFS 1983:2 and NR-BFS 1988:18 specifications

Full port to DIN 3357 for maximum flow,

24h 100% seal test guaranteed,

Pure **Teflon®** (Dupont registered trademark) self-lubricating seats with flexible-lip design,

Dual sealing system allows valve to be operated in either direction making **installation easier**,

Chrome plated CR brass ball for **longer life**,

No metal-to-metal moving parts,

Blowout-proof nickel plated CR brass stem (s.27 only),

Two Viton O-rings at the stem for **maximum safety**,

- * Handle stops on body to **avoid stresses** at stem,
- * **Handle removable** with valve in service,
- * **Dacrotized** carbon steel handle with thick PVC dip coating,
- * Handle clearly shows **ball position**,
- * **Compression ends** to BS 864-2 and NKB no.12,
- * **Silicone-free** lubricant on all seals,
- * 16 bar (Kg/cm²) non-shock cold working pressure,
- * -20°C +170°C **temperature** (applicable to valve, not to compression ends).

Options:

- * **Compression ends** with extended stem for insulation (see s.30 picture below),
- * Add-on brass stem **extension** (s.28 only),
- * **T-handle**,
- * **Oval lockable handle**,
- * **AISI 430 stainless steel handle**,
- * **Patented locking device**.

Upon request:

- * **AISI 316 stainless steel ball and/or stem**,
- * **Glass filled PTFE** seals,
- * **Custom design**.


Quality:

- 24h 100% seal test guaranteed
- Dual sealing system allows valve to be operated in either direction making installation easier
- No metal-to-metal moving parts
- Handle clearly shows ball position
- Silicone-free lubricant on all seals
- Travel stops on body to avoid stresses at stem
- Chrome plated DZR brass ball for longer life

Body:

- Hot forged sand blasted DZR unplated body and cap sealed with Loctite® or equivalent thread sealant
- Dezincification Resistant ADZ-T and ADZ-P brass approved to SBN-PFS 1983:2 and NR-BFS 1988:18 specifications

Stem:

- Two FPM O-rings at the stem for maximum safety
- Blowout-proof unplated DZR brass stem

Seals:

- Pure PTFE self-lubricating seats with flexible-lip design

PED Directives:

- The product described in this document meets the requirements of PED Directive 97/23 and according to art.3 par.3, it does not require CE marking; it cannot be used with dangerous gases in sizes larger than 25mm; it cannot be used with non-dangerous gases in sizes larger than 40mm


Threads:

- Compression ends to EN 1254-2 and NKB no.12

Flow:

- Full port to DIN 3357 for maximum flow

Handle:

- Geomet® carbon steel handle with thick PVC dip coating. Handle coating offers both thermal and electrical protection
- Handle removable with valve in service

Working Pressure:

- 16 Bar (230 PSI)
- non-shock cold working pressure

Working Temperature:

- -20°C (-4°F) / +120°C (+250°F)
- Warning: freezing of the fluid in the installation may severely damage the valve

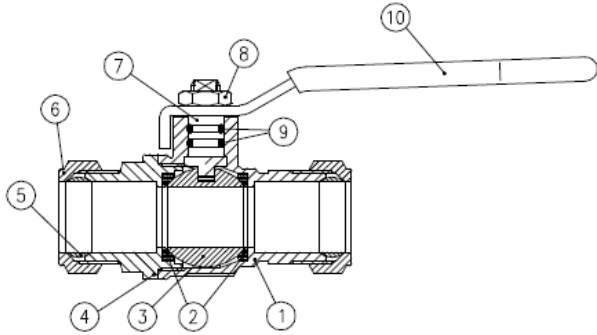
Options:

- T-handle
- Oval lockable handle
- AISI 430 stainless steel handle
- Patented locking device
- Compression ends with extended stem for insulation
- Add-on Brass stem extension

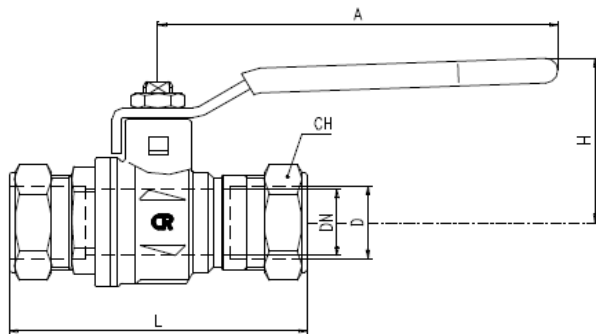
Upon Request:

- AISI 316 stainless steel ball
- Glass filled PTFE seals
- Custom Design

1.1/4"±2" hollow ball



ITEM NO.	PART DESCRIPTION	QTY	Material	Spec.
1	S.28 sand blasted unplated body	1	CW602N	RUB002
2	Seat 00-84	2	PTFE	RUB008
3	Chrome plated ball	1	CW602N	RUB002
4	Sand blasted unplated end cap	1	CW602N	RUB002
5	Olive	1	CW614N	RUB001
6	Unplated nut	1	CW614N	RUB001
7	Nickel plated stem O-ring design	1	CW602N	RUB002
8	Dacrotized handle nut	1	C10	RUB003
9	Green O-Ring	2	Viton	RUB009
10	White dacrotized steel handle	1	Fe50	RUB003



Valve code	S28C10	S28C12	S28D15	S28D18	S28E22	S28F28	S28G35	S28H42	S28I54
D (mm)	10	12	15	18	22	28	35	42	54
DN (mm)	8	10	15	15	20	25	32	40	50
L (mm)	66,5	67	72	78,5	79	90,5	110	128,5	142
A (mm)	100	100	100	100	120	120	158	158	158
H (mm)	38	38	43	43	50	54	73	79	86
CH (mm)	17	19	24	27	32	38,5	48	54	70

DN shows the nominal flow diameter. Actual flow diameter complies with full port DIN 3357 part 4.

