

Datasheet

RS PRO VINYL-INSULATED DOUBLE CRIMP LOCKING SPADE TERMINALS

Stock number: 178-8361

MAXIMUM ELECTRIC CURRENT:

A.W.G.	16	14
AMP.	18	30

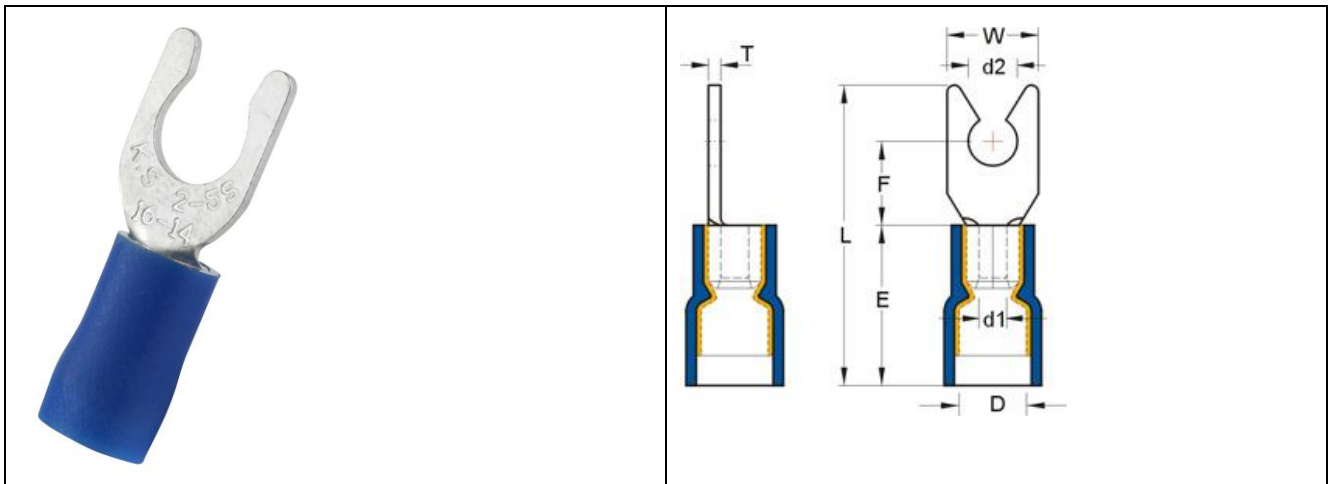
MAXIMUM ELECTRICAL RATING: 105° C 600 VOLTS MAX.

INSULATION MATERIAL: VINYL (PVC)

TERMINAL MATERIAL: COPPER

DOUBLE CRIMP: WITH COPPER SLEEVE ON BARREL

INSULATION COLOR: BLUE



WIRE RANGE A.W.G. mm ²	ITEM NO.	STUD SIZE	DIMENSION inch(mm)							
			d2	W	F	L	E	D	d1	T
16-14 A.W.G.	178-8361	#8	0.209	0.319	0.256	0.846	0.413	0.197	0.091	0.031
1.5-2.5 mm ²			5.3	8.1	6.5	21.5	10.5	5.000	2.3	0.8