

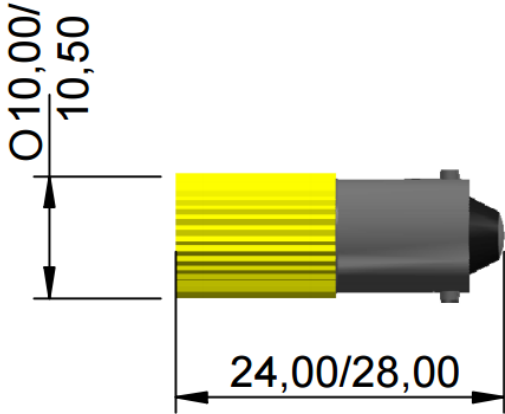


ENGLISH

Datasheet

LED Indicator Lamp

RS ITEM NO 211-033



| | | | | | |
|------------------|-----------------|--------------------------|----------------------|-----------|--------------|
| LED/Multiled | <i>Multiled</i> | Optimum voltage (V) | <i>24vdc</i> | Intensity | <i>30mcd</i> |
| Mounting Size | <i>10x45</i> | Rectifier | | | |
| Mounting Finish | | AC current | | | |
| Protection | | DC current | <i>9mA</i> | | |
| Mount Holder | <i>Ba9s</i> | Voltage Tolerance(%) | <i>10%</i> | | |
| Chip Qty | <i>4</i> | Optimum temperature (°C) | <i>-30°C...+60°C</i> | | |
| Indicator colour | <i>Yellow</i> | Storage temperature (°C) | <i>-30°C...+60°C</i> | | |
| Wavelength (nm) | <i>585</i> | Contact Tab x 2 | <i>Ba9s Base Cap</i> | | |



*Dimension in mm (typical), not to scale.
We reserve the right to make changes without further notice to this product to improve reliability, function or design.*