

LT8604

High Efficiency 42V, 120mA Synchronous Buck Regulator

DESCRIPTION

Demonstration circuit EVAL-LT8604-AZ features the [LT[®]8604](#), a high efficiency 42V, 120mA synchronous step-down regulator in 10-Lead 3mm × 2mm side-wettable DFN package. The demo board is designed for 120mA at 5V output from a 5.9V to 42V input, with switching frequency of 0.7MHz. The wide input range allows a variety of input sources, such as automotive batteries and industrial supplies.

The LT8604 is a compact high efficiency, and high frequency synchronous monolithic step-down switching regulator. The regulator is featured with ultralow 2.5µA quiescent current with the output in full regulation, making it an ideal solution for applications requiring highest efficiency at very light load currents, such as automotive and battery powered portable instruments.

Peak current mode control with minimum on-time of as small as 35ns allows high step-down conversion even at high frequency. The LT8604 switching frequency can be

programmed via an oscillator resistor over a 200kHz to 2.2MHz range. The default frequency of the evaluation board is 700kHz.

The demo board has an EMI filter installed. The EMI performance of the board is shown on Figure 2. The red line in Radiated EMI Performance is CISPR25 Class 5 peak limit. The figure shows that the circuit passes the peak limit test from 30MHz to 1GHz, with a wide margin.

The LT8604 data sheet gives a complete description of the part, operation and application information. The data sheet must be read in conjunction with this demo manual. The layout recommendations for best thermal performance are available in the data sheet Application Information section. Contact ADI applications engineer for technical support.

[Design files for this circuit board are available.](#)

All registered trademarks and trademarks are the property of their respective owners.

PERFORMANCE SUMMARY Specifications are at T_A = 25°C

SYMBOL	PARAMETER	CONDITIONS	MIN	TYP	MAX	UNITS
V _{IN_EMI}	Input Supply Range with EMI Filter		5.9		42	V
V _{OUT}	Output Voltage		4.85	5	5.15	V
I _{OUT}	Maximum Output Current		120			mA
f _{SW}	Switching Frequency			700		kHz
EFF	Typical efficiency	V _{IN} = 12V, I _{OUT} = 60mA		93		%

DEMO MANUAL

EVAL-LT8604-AZ

QUICK START PROCEDURE

Demonstration circuit EVAL-LT8604-AZ is easy to set up to evaluate the performance of the LT8604. Refer to Figure 1 for proper measurement equipment setup and follow the procedure below:

1. With power off, connect the DC power supply to VEMI and GND, and load from VOUT to GND.
2. Turn on the power at the input. Make sure that the input voltage does not exceed 42V.
3. Check for the proper output voltage (5V). If there is no output, temporarily disconnect the load to make sure that the load is not set too high or is shorted.
4. Once the proper output voltage is established, adjust the load within the operating ranges and observe the output voltage regulation, ripple voltage, efficiency and other parameters.

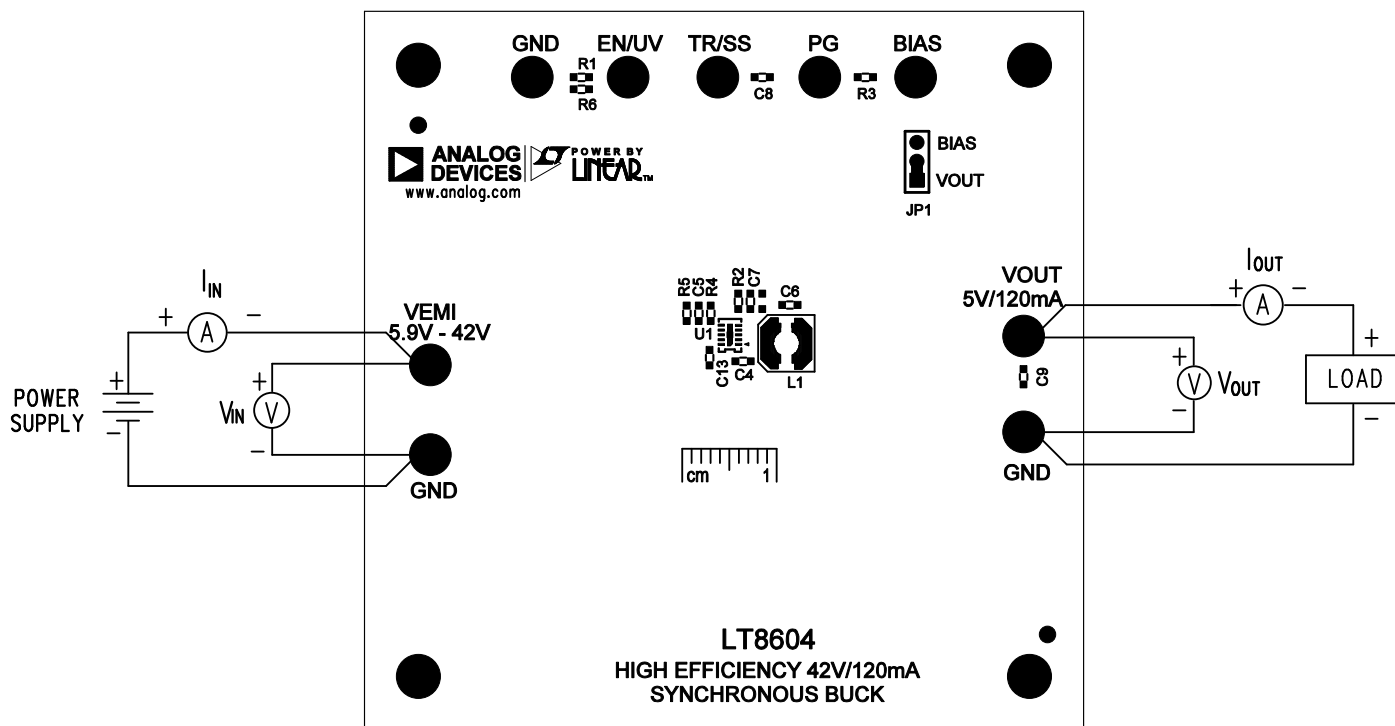


Figure 1. Proper Measurement Equipment Setup

QUICK START PROCEDURE

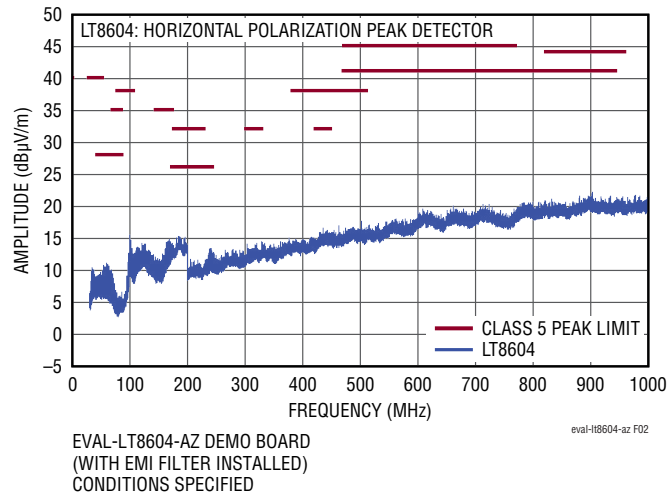


Figure 2. Radiated EMI Performance, CISPR 25, Peak Limit. $V_{IN} = 14V$. $f_{SW} = 0.7MHz$

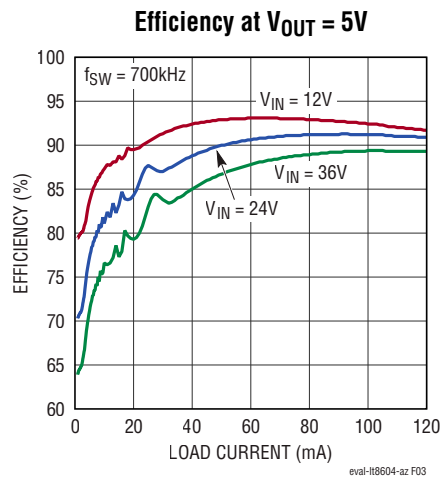


Figure 3. Efficiency. $V_{IN} = 12V, 24V, 36V$. $f_{SW} = 0.7MHz$

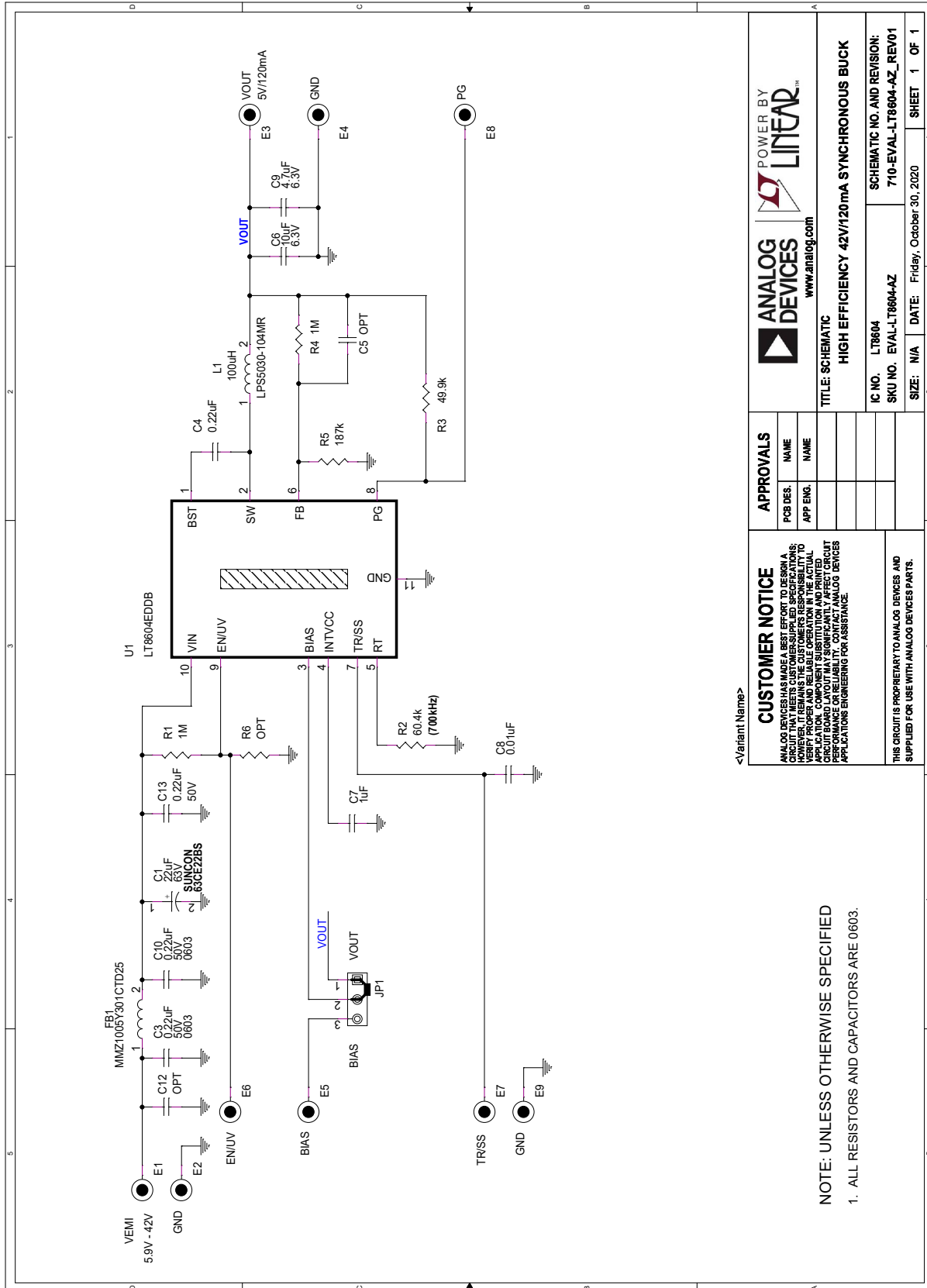
DEMO MANUAL

EVAL-LT8604-AZ

PARTS LIST

ITEM	QTY	REFERENCE	PART DESCRIPTION	MANUFACTURER/PART NUMBER
Required Circuit Components				
1	1	C1	CAP., 22 μ F, ALUM. ELECT., 63V, 20%, 6.3mm \times 7.7mm, CE-BS	SUN ELECTRONIC INDUSTRIES CORP, 63CE22BS
2	3	C13, C3, C10	CAP., 0.22 μ F, X7R, 50V, 10%, 0603, AEC-Q200	MURATA, GCM188R71H224KA64D
3	1	C4	CAP., 0.22 μ F, X7R, 16V, 10%, 0603	AVX, 0603YC224KAT2A
4	1	C6	CAP., 10 μ F, X5R, 6.3V, 20%, 0603	MURATA, GRM188R60J106ME47D
5	1	C7	CAP., 1 μ F, X7R, 16V, 10%, 0603	KEMET, C0603C105K4RAC7867
6	1	C8	CAP., 0.01 μ F, X7R, 16V, 10%, 0603	AVX, 0603YC103KAT2A
7	1	C9	CAP., 4.7 μ F, X5R, 6.3V, 10%, 0603	KEMET, C0603C475K9PACTU
8	1	FB1	IND., 300 Ω , FERRITE BEAD, 25%, 250mA, 0402, AEC-Q200	MMZ1005Y301CTD25
9	1	L1	IND., 100 μ H, PWR, SHIELDED, 20%, 0.75A, 600m Ω , 4.9 \times 4.9 \times 3, AEC-Q200	COILCRAFT, LPS5030-104MRB
10	2	R1, R4	RES., 1M, 1%, 1/10W, 0603, AEC-Q200	VISHAY, CRCW06031M00FKEA
11	1	R2	RES., 60.4k Ω , 1%, 1/10W, 0603, AEC-Q200	PANASONIC, ERJ3EKF6042V
12	1	R3	RES., 49.9k Ω , 1%, 1/10W, 0603	NIC, NRC06F4992TRF
13	1	R5	RES., 187k Ω , 1%, 1/10W, 0603, AEC-Q200	PANASONIC, ERJ3EKF1873V
14	1	U1	IC, 42V 100mA BUCK REGULATOR, DFN-10	ANALOG DEVICES, LT8604EDDBM#PBF
Additional Demo Board Circuit Components				
1	0	C5, C12	CAP., OPTION, 0603	
2	0	R6	RES., OPTION, 0603	
Hardware: For Demo Board Only				
1	10	E1-E10	TEST POINT, TURRET, 0.094" MTG. HOLE, PCB 0.062" THK	MILL-MAX, 2501-2-00-80-00-00-07-0
2	1	JP1	CONN., HDR, MALE, 1 \times 3, 2mm, VERT, ST, THT, NO SUBS. ALLOWED	WURTH ELEKTRONIK, 62000311121
3	1	XJP1	CONN., SHUNT, FEMALE, 2 POS, 2mm	WURTH ELEKTRONIK, 60800213421
4	4	MP1-MP4	STANDOFF, NYLON, SNAP-ON, 0.50"	WURTH ELEKTRONIK, 702935000

SCHEMATIC DIAGRAM





ESD Caution

ESD (electrostatic discharge) sensitive device. Charged devices and circuit boards can discharge without detection. Although this product features patented or proprietary protection circuitry, damage may occur on devices subjected to high energy ESD. Therefore, proper ESD precautions should be taken to avoid performance degradation or loss of functionality.

Legal Terms and Conditions

By using the evaluation board discussed herein (together with any tools, components documentation or support materials, the "Evaluation Board"), you are agreeing to be bound by the terms and conditions set forth below ("Agreement") unless you have purchased the Evaluation Board, in which case the Analog Devices Standard Terms and Conditions of Sale shall govern. Do not use the Evaluation Board until you have read and agreed to the Agreement. Your use of the Evaluation Board shall signify your acceptance of the Agreement. This Agreement is made by and between you ("Customer") and Analog Devices, Inc. ("ADI"), with its principal place of business at One Technology Way, Norwood, MA 02062, USA. Subject to the terms and conditions of the Agreement, ADI hereby grants to Customer a free, limited, personal, temporary, non-exclusive, non-sublicensable, non-transferable license to use the Evaluation Board FOR EVALUATION PURPOSES ONLY. Customer understands and agrees that the Evaluation Board is provided for the sole and exclusive purpose referenced above, and agrees not to use the Evaluation Board for any other purpose. Furthermore, the license granted is expressly made subject to the following additional limitations: Customer shall not (i) rent, lease, display, sell, transfer, assign, sublicense, or distribute the Evaluation Board; and (ii) permit any Third Party to access the Evaluation Board. As used herein, the term "Third Party" includes any entity other than ADI, Customer, their employees, affiliates and in-house consultants. The Evaluation Board is NOT sold to Customer; all rights not expressly granted herein, including ownership of the Evaluation Board, are reserved by ADI. CONFIDENTIALITY. This Agreement and the Evaluation Board shall all be considered the confidential and proprietary information of ADI. Customer may not disclose or transfer any portion of the Evaluation Board to any other party for any reason. Upon discontinuation of use of the Evaluation Board or termination of this Agreement, Customer agrees to promptly return the Evaluation Board to ADI. ADDITIONAL RESTRICTIONS. Customer may not disassemble, decompile or reverse engineer chips on the Evaluation Board. Customer shall inform ADI of any occurred damages or any modifications or alterations it makes to the Evaluation Board, including but not limited to soldering or any other activity that affects the material content of the Evaluation Board. Modifications to the Evaluation Board must comply with applicable law, including but not limited to the RoHS Directive. TERMINATION. ADI may terminate this Agreement at any time upon giving written notice to Customer. Customer agrees to return to ADI the Evaluation Board at that time. LIMITATION OF LIABILITY. THE EVALUATION BOARD PROVIDED HEREUNDER IS PROVIDED "AS IS" AND ADI MAKES NO WARRANTIES OR REPRESENTATIONS OF ANY KIND WITH RESPECT TO IT. ADI SPECIFICALLY DISCLAIMS ANY REPRESENTATIONS, ENDORSEMENTS, GUARANTEES, OR WARRANTIES, EXPRESS OR IMPLIED, RELATED TO THE EVALUATION BOARD INCLUDING, BUT NOT LIMITED TO, THE IMPLIED WARRANTY OF MERCHANTABILITY, TITLE, FITNESS FOR A PARTICULAR PURPOSE OR NON-INFRINGEMENT OF INTELLECTUAL PROPERTY RIGHTS. IN NO EVENT WILL ADI AND ITS LICENSORS BE LIABLE FOR ANY INCIDENTAL, SPECIAL, INDIRECT, OR CONSEQUENTIAL DAMAGES RESULTING FROM CUSTOMER'S POSSESSION OR USE OF THE EVALUATION BOARD, INCLUDING BUT NOT LIMITED TO LOST PROFITS, DELAY COSTS, LABOR COSTS OR LOSS OF GOODWILL. ADI'S TOTAL LIABILITY FROM ANY AND ALL CAUSES SHALL BE LIMITED TO THE AMOUNT OF ONE HUNDRED US DOLLARS (\$100.00). EXPORT. Customer agrees that it will not directly or indirectly export the Evaluation Board to another country, and that it will comply with all applicable United States federal laws and regulations relating to exports. GOVERNING LAW. This Agreement shall be governed by and construed in accordance with the substantive laws of the Commonwealth of Massachusetts (excluding conflict of law rules). Any legal action regarding this Agreement will be heard in the state or federal courts having jurisdiction in Suffolk County, Massachusetts, and Customer hereby submits to the personal jurisdiction and venue of such courts. The United Nations Convention on Contracts for the International Sale of Goods shall not apply to this Agreement and is expressly disclaimed.