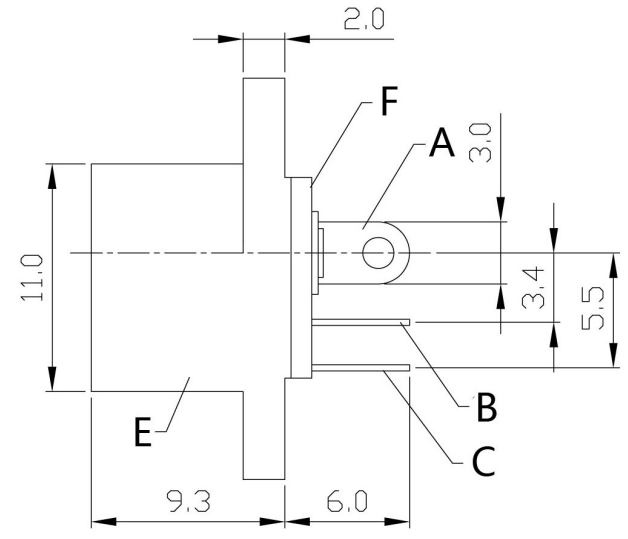
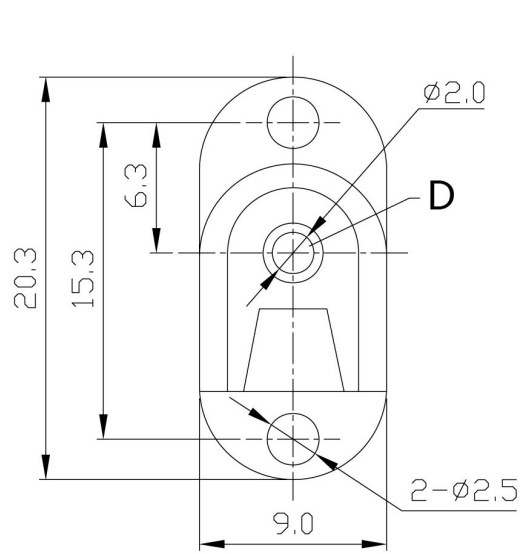
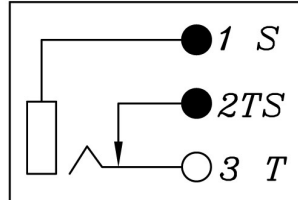


Issue	Description	Date
A	新圖	2014/11/19



未標示之尺寸公差皆為±0.3



G.					All Dimensions are Millimeters		Approved	Checked	Drawn				
F.	Cover	1	PBT	Black	Unless Otherwise Specified Tolerances				黃琬婷				
E.	Housing	1	PBT	Black	0.5~6= ±0.1				2014/11/19				
D.	PIN	1	Brass	Nickel	6~30= ±0.3								
C.	Spring	1	SUS	Cu/Sn	30~120= ±0.5								
B.	Flat Piece	1	Brass	Cu/Sn	120~315= ±0.8		TITLE	DC Power Jack					
A.	Contact Foot	1	Brass	Cu/Sn	ANGLES= ±3°		CABLE						
NO	Description	Unit	Materials	Finish/Color	PART NO.	Scale	3:1	Issue	A				

