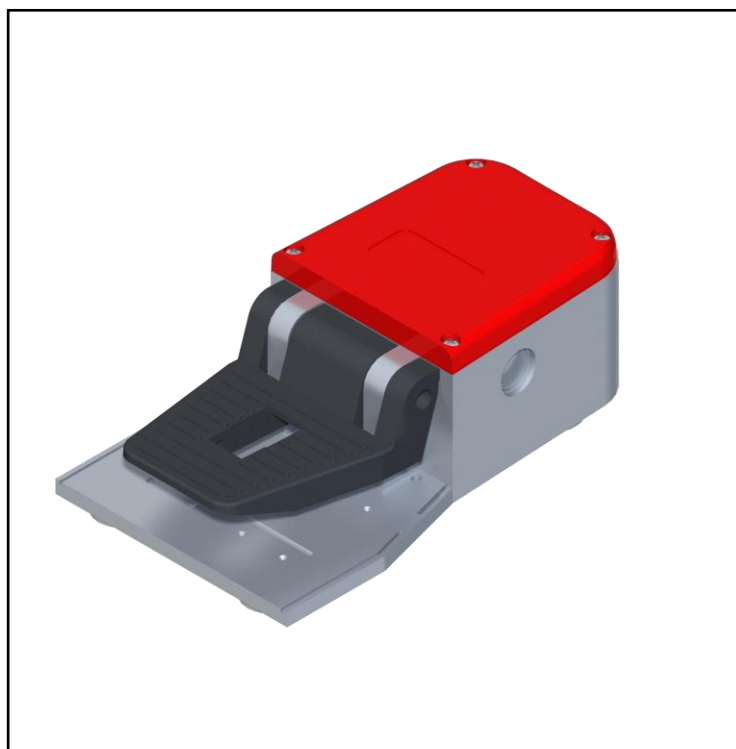


FEATURES

- Foot Switch made in self-extinguishing UL V0 plastic material
- Half red cover and grey base
- Free movement of the lever
- Very sturdy and reliable also in harsh environment

RS PRO foot switch, red V0 plastic cover, free movement of the lever, snap action contacts, M20 cable inlet

RS Stock No.: 2380561



RS Professionally Approved Products bring to you professional quality parts across all product categories. Our product range has been tested by engineers and provides a comparable quality to the leading brands without paying a premium price.

Product Description

Family Name

Foot switch used to command machineries and equipment in industrial environment. Suited for applications that requires sturdy and reliable products.

General Specifications

Casing Material	Termoplastic
Class II - Double insulation	M20 cable gland
Operating head	Plastic lever
Microswitch	1 (NO + NC) snap action
Connecting Terminals	Screws with cable clamp plate M3.5 (+, -) pozidriv 2
Connecting Cables Dimensions [mm ²]	0,75 ... 2,5

Mechanical Specifications

Operating Temperatures [°C]	-25 / +70
Stock Temperatures [°C]	-30 / +80
Mechanical durability (Millions of operations)	30
B10d (million of operations)	30
Max. switching frequency [Cicli/h]	3600

Electrical Specifications

Protection against electrical shocks	Class II - Double insulation
Rated Insulating Voltage U_i [V]	690
Pollution Degree	3
Contact rating secondo UL508	A 600 Q 600
Rated impulsive voltage [kV]	6
Conventional thermal current in air free I_{th} (θ min 40 ° C) [A] (θ)	10
Short circuit protection (EU min 500Vac - fuses type gG (g)) [A]	10
Rated Operational Current I_e - AC-15 (50-60 Hz) [Vac - A]	24V - 6A / 120V - 6A / 400V - 4A
Rated Operational Current DC-13 [Vdc - A]	24V - 6A / 125V - 0.55A / 250V - 0.4A
Resistance Between Contacts [m Ω]	25

**Protection Category**

IP Degree of Protection	65
-------------------------	----

Additional Information

EAN	8000126233360
Custom Tariff Number	85371098

Approvals

Declarations	CE – UKCA
Standards Met	IEC 60947-1 and IEC 60947-5-1