

FEATURES

- Steel, zinc coated
- Provides a rigid support for the sensor
-

RS PRO Sensor Mounting Bracket- for use with M08, M12, M18, M30 type sensors

RS Stock No.: 2133659, 2133660, 2133661, 2133662



RS Professionally Approved Products bring to you professional quality parts across all product categories. Our product range has been tested by engineers and provides a comparable quality to the leading brands without paying a premium price.

Product Description

RS Pro Mounting bracket for use with M08, M12, M18 and M30 type sensors.

General Specifications

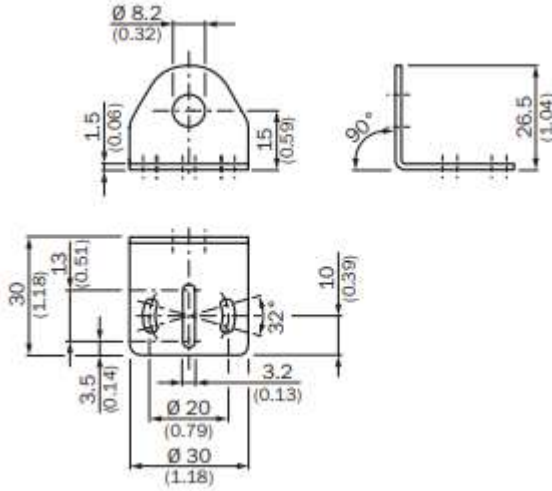
2133661	M08 Mounting bracket, right angle
2133660	M12 Mounting bracket, right angle
2133659	M18 Mounting bracket, right angle
2133662	M30 Mounting bracket, right angle

Mechanical Specifications

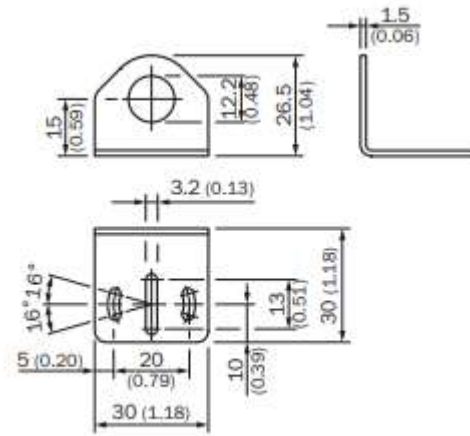
Accessory group	Mounting brackets and plates
Accessory family	Mounting brackets
Material	Steel, zinc coated
Items supplied	Without mounting hardware
Description	Mounting bracket for M08/M12/M18/M30 sensors

connection Diagrams / Assembly Diagrams / Illustrations / Accessories

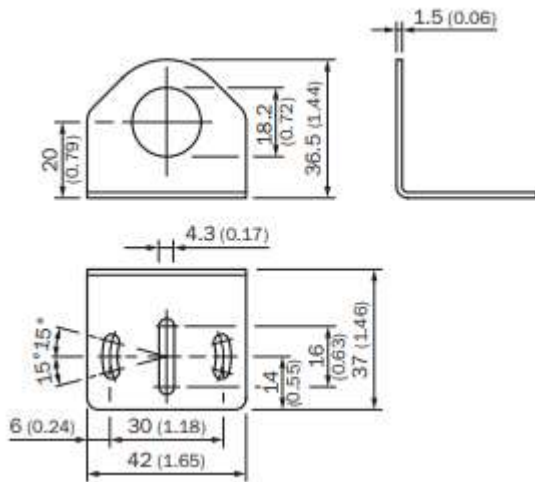
M08 Mounting bracket



M12 Mounting bracket



M18 Mounting bracket



M30 Mounting bracket

