

RE17LAMW

Modular timing relay, Harmony, 0.7A, 1CO,
0,1s..100h, on delay, solid state output,
24..240V AC DC



Main

| | |
|---------------------------|---|
| Range of product | Harmony Timer Relays |
| Product or component type | Single function relay |
| Discrete output type | Solid state |
| Width | 17.5 mm |
| Component name | RE17L |
| Time delay type | Power on-delay |
| Time delay range | 1...10 s 10...100 h 6...60 s 0.1...1 s 1...10 min 6...60 min 1...10 h |
| Nominal output current | 0.7 A |

Complementary

| | |
|--|--|
| Control type | Selector switch front panel |
| [Us] rated supply voltage | 24...240 V AC/DC 50/60 Hz |
| Voltage range | 0.85...1.1 Us |
| Supply frequency | 50...60 Hz +/- 5 % |
| Control signal pulse width | 0.05 s typical |
| Insulation resistance | 100 MOhm at 500 V DC conforming to IEC 60664-1 |
| [Uimp] rated impulse withstand voltage | 5 kV during 1.2/50 µs |
| Power on delay | 100 ms |
| Connections - terminals | Screw terminals, 1 x 0.5...1 x 3.3 mm ² (AWG 20...AWG 12) solid without cable end Screw terminals, 2 x 0.5...2 x 2.5 mm ² (AWG 20...AWG 14) solid without cable end Screw terminals, 1 x 0.2...1 x 2.5 mm ² (AWG 24...AWG 14) flexible with cable end Screw terminals, 2 x 0.2...2 x 1.5 mm ² (AWG 24...AWG 16) flexible with cable end |
| Tightening torque | 0.6...1 N.m conforming to IEC 60947-1 |
| Dielectric strength | 2.5 kV 1 mA/1 minute 50 Hz conforming to IEC 61812-1 |
| Housing material | Self-extinguishing |
| Repeat accuracy | +/- 0.5 % conforming to IEC 61812-1 |
| Temperature drift | +/- 0.05 %/°C |
| Voltage drift | +/- 0.2 %/V |
| Setting accuracy of time delay | +/- 10 % of full scale at 25 °C conforming to IEC 61812-1 |
| Reset time | 350 ms on de-energisation typical |
| On-load factor | 100 % |
| Power consumption in VA | 0...3 VA at 240 V AC |
| Maximum power consumption in W | 1.5 W at 240 V DC |
| Breaking capacity | 0.5 A AC/DC conforming to UL 0.7 A AC/DC at 20 °C |
| Operating frequency | 10 Hz |
| Maximum output current | 20 A |
| Minimum switching current | 10 mA |
| Maximum leakage current | 5 mA |

The information provided in this documentation contains general descriptions and/or technical characteristics of the performance of the products contained herein. This documentation is not intended as a substitute for and is not to be used for determining suitability or reliability of these products for specific user applications. It is the duty of any such user or integrator to perform the appropriate and complete risk analysis, evaluation and testing of the products with respect to the relevant specific application or use thereof. Neither Schneider Electric Industries SAS nor any of its affiliates or subsidiaries shall be responsible or liable for misuse of the information contained herein.

| | |
|---------------------------|--|
| Maximum switching voltage | 250 V AC/DC |
| Maximum voltage drop | <4 V 3-wire <8 V 2-wire |
| Electrical durability | 100000000 cycles |
| Marking | CE |
| Creepage distance | 4 kV/3 conforming to IEC 60664-1 |
| Safety reliability data | MTTFd = 353.8 years B10d = 320000 |
| Mounting position | Any position in relation to normal vertical mounting plane |
| Mounting support | 35 mm DIN rail conforming to EN/IEC 60715 |
| Product weight | 0.068 kg |
| Time delay type | A |
| Functionality | On-delay timing |
| Compatibility code | RE17 |

Environment

| | |
|---------------------------------------|--|
| Immunity to microbreaks | 20 ms |
| Derating factor | 5 mA/°C |
| Standards | 2004/108/EC EN 61000-6-1 2006/95/EC EN 61000-6-3 EN 61000-6-2 IEC 61812-1 EN 61000-6-4 |
| Product certifications | GL CSA cULus |
| Ambient air temperature for storage | -30...60 °C |
| Ambient air temperature for operation | -20...60 °C |
| IP degree of protection | IP20 (terminal block) conforming to IEC 60529 IP40 (housing) conforming to IEC 60529 IP50 (front panel) conforming to IEC 60529 |
| Vibration resistance | 20 m/s ² (f= 10...150 Hz) conforming to IEC 60068-2-6 |
| Shock resistance | 15 gn for 11 ms conforming to IEC 60068-2-27 |
| Relative humidity | 93 % without condensation conforming to IEC 60068-2-30 |
| Electromagnetic compatibility | Electrostatic discharge immunity test: (in contact), level 3, 6 kV, conforming to IEC 61000-4-2 Electrostatic discharge immunity test: (in air), level 3, 8 kV, conforming to IEC 61000-4-2 Susceptibility to electromagnetic fields: (80 MHz to 1 GHz), level 3, 10 V/m, conforming to IEC 61000-4-3 Electrical fast transient/burst immunity test: (capacitive connecting clip), level 3, 1 kV, conforming to IEC 61000-4-4 Electrical fast transient/burst immunity test: (direct), level 3, 2 kV, conforming to IEC 61000-4-4 1.2/50 µs shock waves immunity test: (differential mode), level 3, 1 kV, conforming to IEC 61000-4-5 1.2/50 µs shock waves immunity test: (common mode), level 3, 2 kV, conforming to IEC 61000-4-5 Conducted RF disturbances: (0.15...80 MHz), level 3, 10 V, conforming to IEC 61000-4-6 Voltage dips and interruptions immunity test: (1 cycle), 0 %, conforming to IEC 61000-4-11 Voltage dips and interruptions immunity test: (25/30 cycles), 70 %, conforming to IEC 61000-4-11 Conducted and radiated emissions: , class B, conforming to EN 55022 |

Packing Units

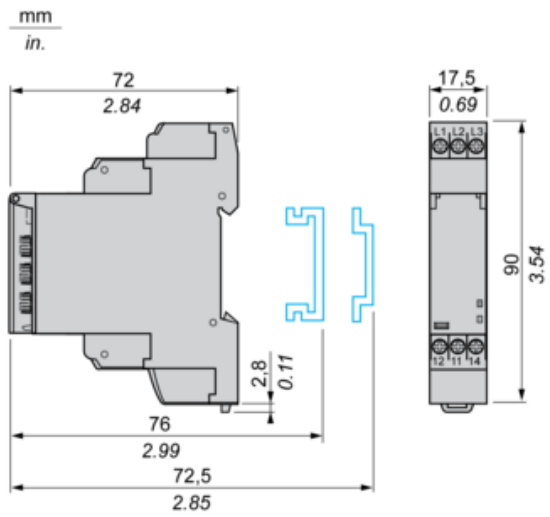
| | |
|------------------------------|----------|
| Unit Type of Package 1 | PCE |
| Number of Units in Package 1 | 1 |
| Package 1 Height | 2.600 cm |
| Package 1 Width | 7.800 cm |
| Package 1 Length | 9.500 cm |
| Package 1 Weight | 70.000 g |

| | |
|------------------------------|-----------|
| Unit Type of Package 2 | S02 |
| Number of Units in Package 2 | 40 |
| Package 2 Height | 15.000 cm |
| Package 2 Width | 30.000 cm |
| Package 2 Length | 40.000 cm |
| Package 2 Weight | 3.270 kg |

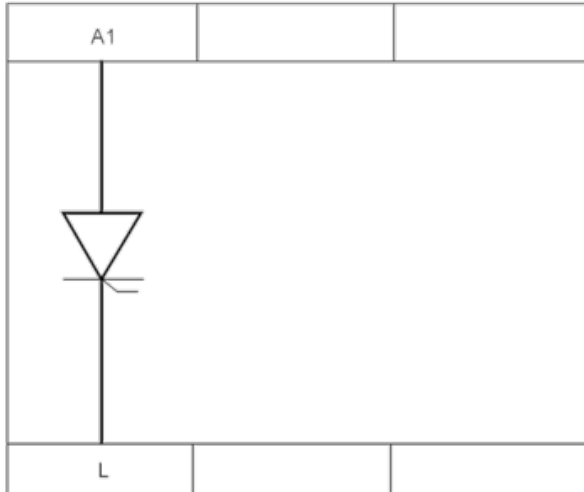
Offer Sustainability

| | |
|----------------------------|---|
| Sustainable offer status | Green Premium product |
| REACH Regulation | REACH Declaration |
| EU RoHS Directive | Pro-active compliance (Product out of EU RoHS legal scope) EU RoHS Declaration |
| Mercury free | Yes |
| China RoHS Regulation | China RoHS Declaration |
| RoHS exemption information | Yes |
| Environmental Disclosure | Product Environmental Profile |
| Circularity Profile | End Of Life Information |
| California proposition 65 | WARNING: This product can expose you to chemicals including: Lead and lead compounds, which is known to the State of California to cause cancer and birth defects or other reproductive harm. For more information go to www.P65Warnings.ca.gov |

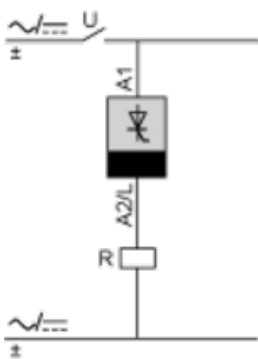
Width 17.5 mm



Internal Wiring Diagram



Wiring Diagram



Function A : Power on Delay Relay

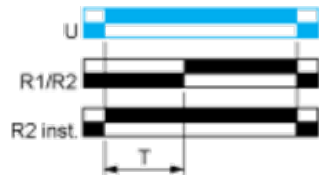
Description

The timing period T begins on energisation. After timing, the output(s) R close(s). The second output can be either timed or instantaneous.

Function: 1 Output



Function: 2 Outputs



2 timed outputs (R1/R2) or 1 timed output (R1) and 1 instantaneous output (R2 inst.)

Legend

Relay de-energised

Relay energised

 Output open

 Output closed

| | |
|----------|--|
| C | Control contact |
| G | Gate |
| R | Relay or solid state output |
| R1/R2 | 2 timed outputs |
| R2 inst. | The second output is instantaneous if the right position is selected |
| T | Timing period |
| Ta - | Adjustable On-delay |
| Tr - | Adjustable Off-delay |
| U | Supply |