

Datasheet

RS PRO VINYL-INSULATED RING TERMINALS

Stock number: 178-8666

MAXIMUM ELECTRIC CURRENT:

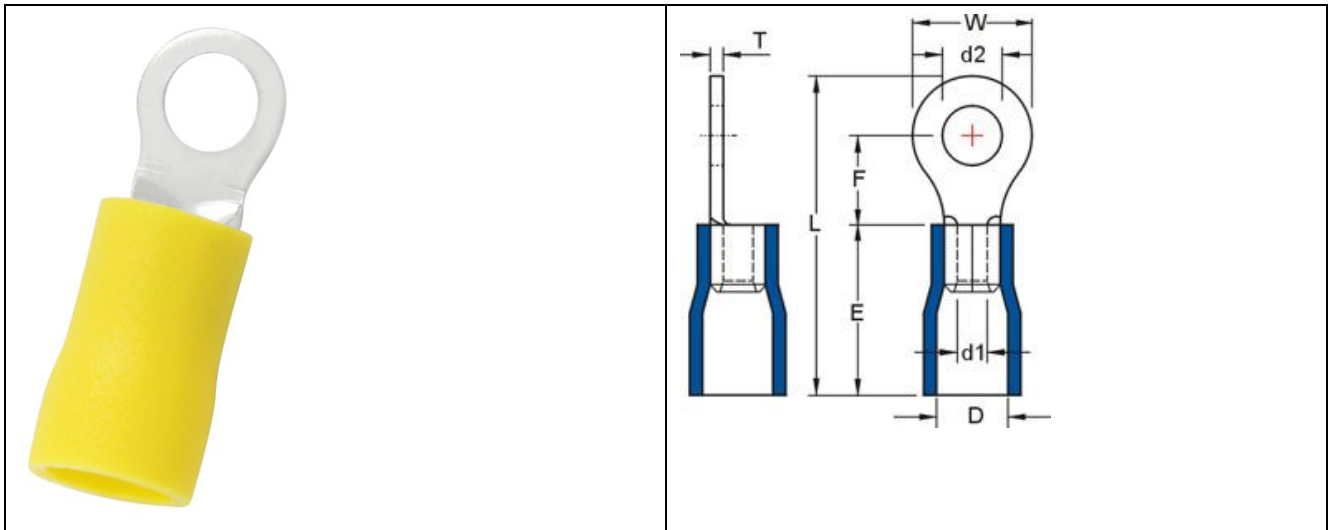
A.W.G.	12	10
AMP.	35	50

MAXIMUM ELECTRICAL RATING: 105° C 600 VOLTS MAX.

INSULATION MATERIAL: VINYL (PVC)

TERMINAL MATERIAL: COPPER

INSULATION COLOR: YELLOW



WIRE RANGE A.W.G. mm ²	ITEM NO. BUTTED SEAM	STUD SIZE d2	DIMENSION inch(mm)							
			W	F	L	E	D	d1	T	
12-10 A.W.G.	178-8666	#8	0.169	0.283	0.24	0.894	0.512	0.252	0.134	0.039
4-6 mm ²			4.3	7.2	6.1	22.7	13	6.400	3.4	1