

## Datasheet

# RS PRO RS-H3A Heavy Duty Housing



The RS PRO Heavy-Duty Connector series is a full range of heavy-duty inserts, housings, crimps and accessories. The housing is produced from corrosion resistant, powder coated, die cast Zinc with locking levers made from galvanized Iron. These are available in standard or tall variations with both single and double locking options and offer IP65 protection. Created for applications that are subjected to harsh environments or where high vibration can cause standard connectors to fail makes these connectors ideal for food & beverage manufacturing, packaging machines, conveyor belt systems, railway, oil & gas processing and other industrial automation. The entire range of connectors are RoHS compliant and as with all RS PRO products, offer exceptional value for money.

## Features & Benefits:

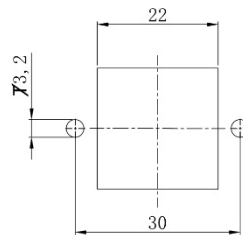
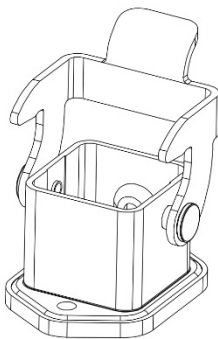
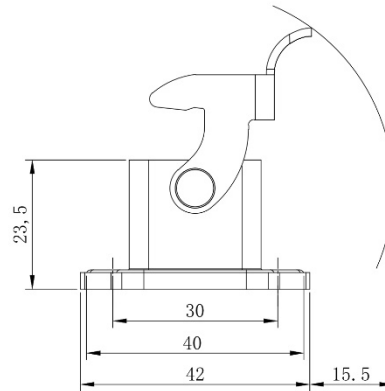
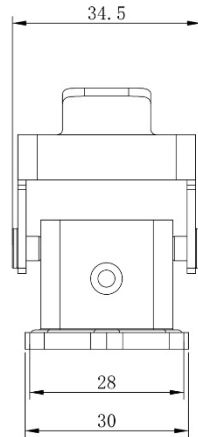
- Zinc Die Cast Housing
- Powder Coated Surface
- IP65
- For use with PG or M style Cable Glands
- Fits RS PRO Heavy Duty Inserts

## Quality Standards



# Dimensional line drawings

## Bulkhead Mount 1 Locking Lever 208-4220



panel cut out

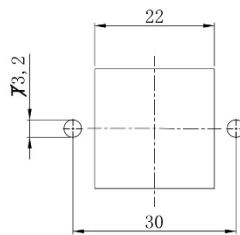
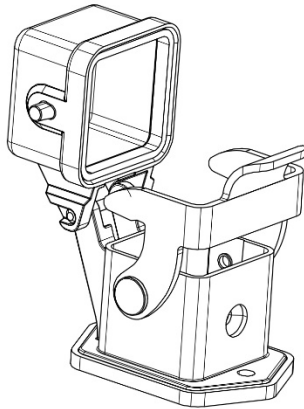
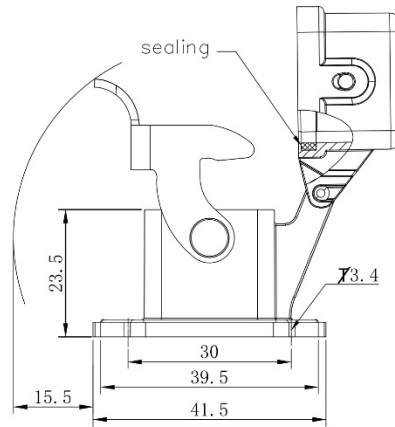
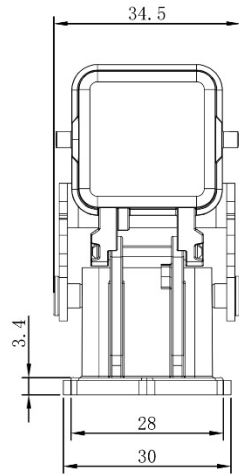
### Technical specification:

- Material: zinc die-cast
- Surface: powder-coated
- Colour: (grey)
- Temperature range:
  - 40°C - +125°C
- Degree of Protection: IP65  
(acc.to IEC 60529 for coupled connector)
- Locking element:
  - locking type: single locking latch
  - material: stainless steel
- Cable entry: bottom entry

# Dimensional line drawings

## Bulkhead Mount 1 Locking Lever with Plastic Cover for Female Insert

208-4221



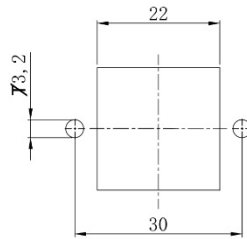
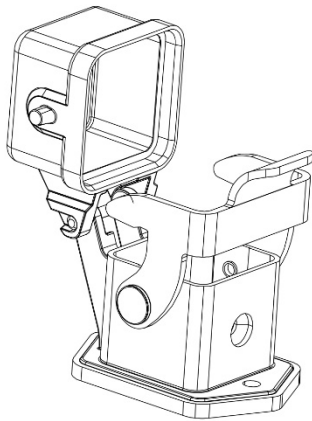
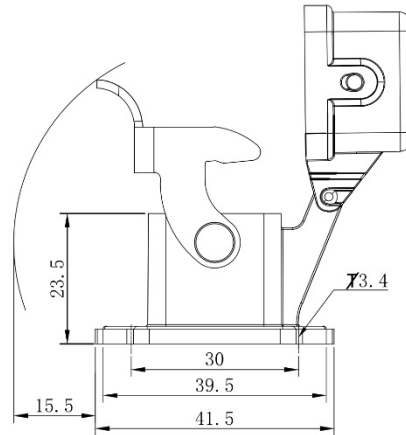
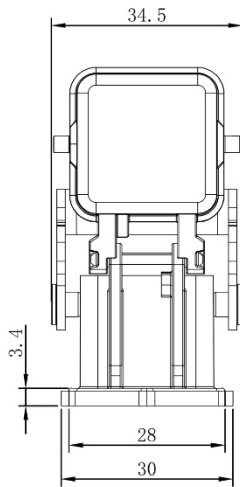
panel cut out

- Technical specification:
- Material: zinc die-cast
  - Material, cover: zinc die-cast
  - Surface: powder-coated
  - Colour: (grey)
  - Temperature range: -40°C - +125°C
  - Degree of Protection: IP65 (acc.to IEC 60529 for coupled connector)
  - Locking element:
    - locking type: single locking latch
    - material: stainless steel
  - Cable entry: bottom entry
  - Hoods/Housings sealing: NBR

## Dimensional line drawings

### Bulkhead Mount 1 Locking Lever with Plastic Cover for Male Insert

208-4222



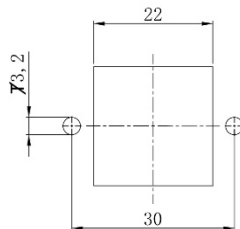
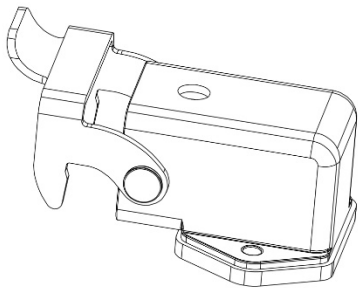
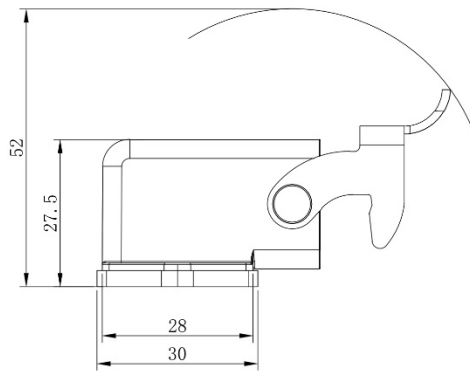
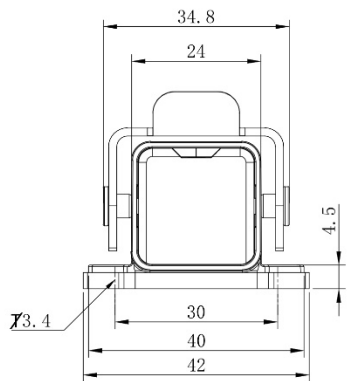
panel cut out

#### Technical specification:

- Material: zinc die-cast
- Material, cover: zinc die-cast
- Surface: powder-coated
- Colour: (grey)
- Temperature range:
  - 40°C - +125°C
- Degree of Protection: IP65  
(acc.to IEC 60529 for coupled connector)
- Locking element:
  - locking type: single locking latch
  - material: stainless steel
- Cable entry: bottom entry

# Dimensional line drawings

## Bulkhead Mount Side Entry 1 Locking Lever 208-4223



panel cut out

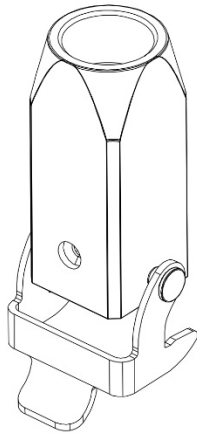
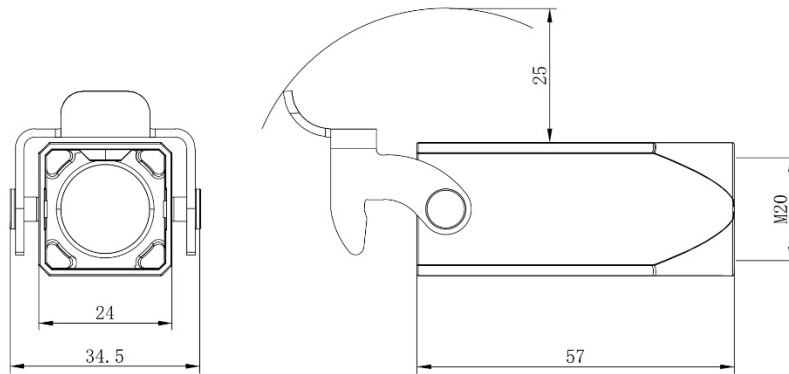
### Technical specification:

- Material: zinc die-cast
- Surface: powder-coated
- Colour: (grey)
- Temperature range:
  - 40°C - +125°C
- Degree of Protection: IP65  
(acc. to IEC 60529 for coupled connector)
- Locking element:
  - locking type: single locking latch
  - material: stainless steel
- Cable entry: bottom entry

## Dimensional line drawings

### Cable to Cable 1 Locking Lever M20

208-4225

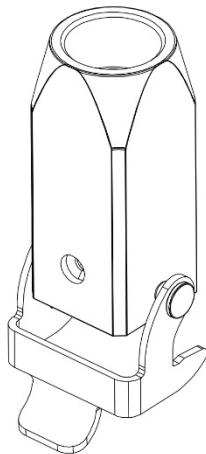
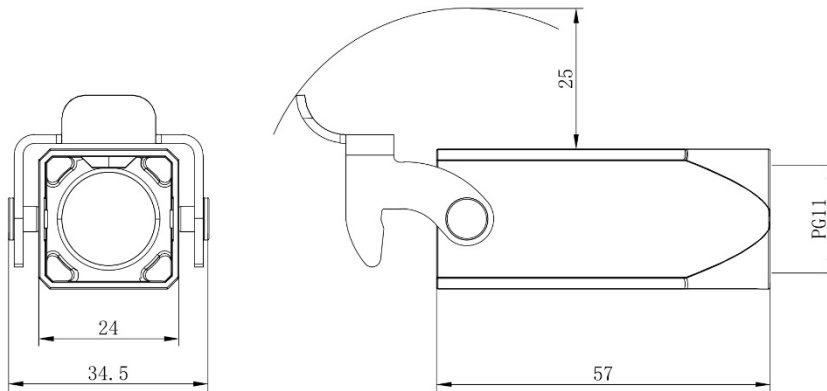


- Technical specification:
- Material: zinc die-cast
  - Surface: powder-coated
  - Colour: (grey)
  - Temperature range:
    - 40°C - +125°C
  - Degree of Protection: IP65  
(acc.to IEC 60529 for coupled connector)
  - Locking element:
    - locking type: single locking latch
    - material: stainless steel
  - Cable entry: top entry
  - No. of cable entries: 1
  - Thread size: M20

## Dimensional line drawings

### Cable to Cable 1 Locking Lever PG11

208-4226



Technical specification:

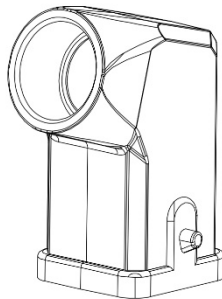
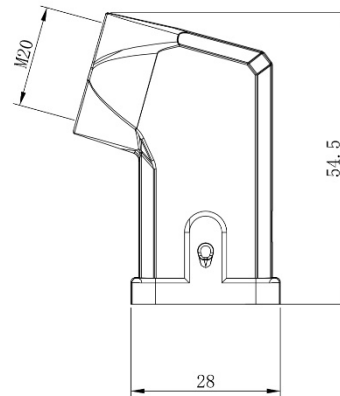
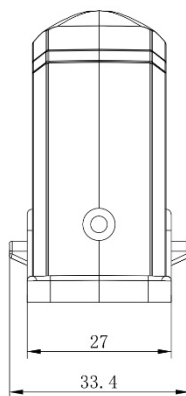
- Material: zinc die-cast
- Surface: powder-coated
- Colour: (grey)
- Temperature range:
  - 40°C - +125°C
- Degree of Protection: IP65  
(acc. to IEC 60529 for coupled connector)
- Locking element:
  - locking type: single locking latch
  - material: stainless steel
- Cable entry: top entry
- No. of cable entries: 1
- Thread size: PG11



## Dimensional line drawings

### Side Entry Hood 2 Locking Points M20

208-4227



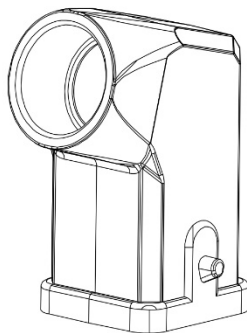
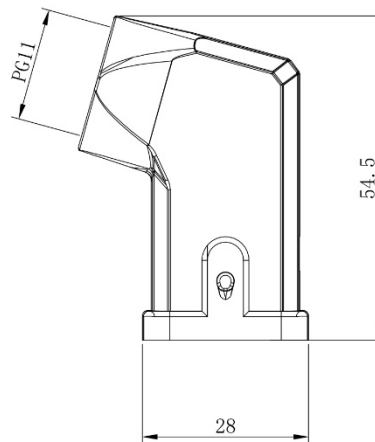
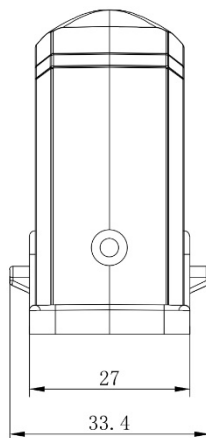
Technical specification:

- Material: zinc die-cast
- Surface: powder-coated
- Colour: (grey)
- Temperature range:
  - 40°C - +125°C
- Degree of Protection: IP65  
(acc.to IEC 60529 for coupled connector)
- Cable entry: side entry
- No. of cable entries: 1
- Thread size: M20

## Dimensional line drawings

### Side Entry Hood 2 Locking Points PG11

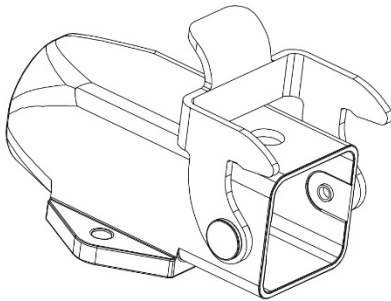
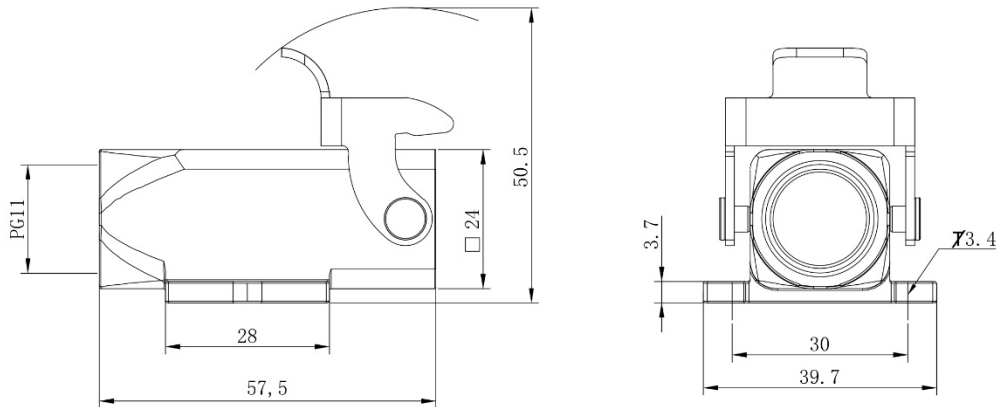
208-4228



- Technical specification:
- Material: zinc die-cast
  - Surface: powder-coated
  - Colour: (grey)
  - Temperature range:
    - 40°C - +125°C
  - Degree of Protection: IP65  
(acc.to IEC 60529 for coupled connector)
  - Cable entry: side entry
  - No. of cable entries: 1
  - Thread size: PG11

# Dimensional line drawings

## Surface Mount 1 Locking Lever PG11 208-4231



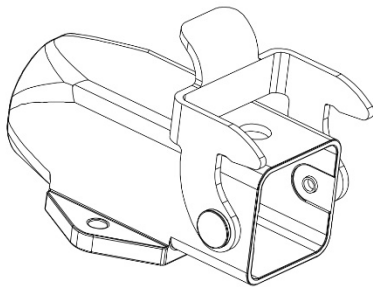
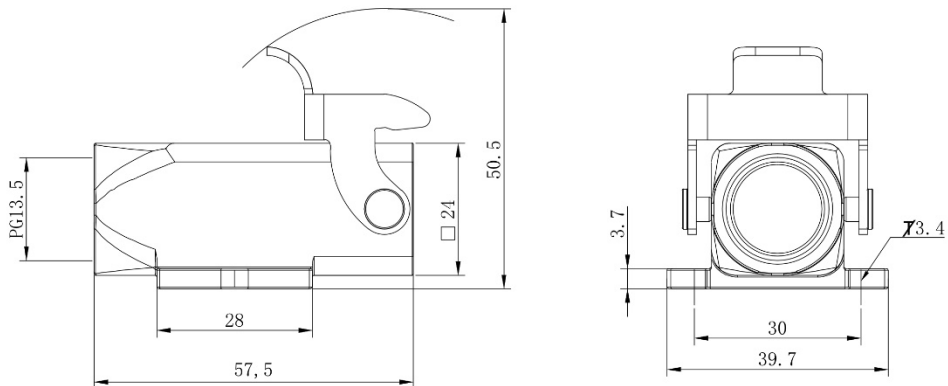
### Technical specification:

- Material: zinc die-cast
- Surface: powder-coated
- Colour: (grey)
- Temperature range:
  - 40°C - +125°C
- Degree of Protection: IP65  
(acc.to IEC 60529 for coupled connector)
- Locking element:
  - locking type: single locking latch
  - material: stainless steel
- Cable entry: side entry
- No. of cable entries: 1
- Thread size: PG11

## Dimensional line drawings

### Surface Mount 1 Locking Lever PG13.5

208-4232



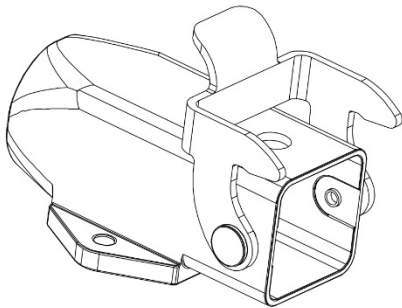
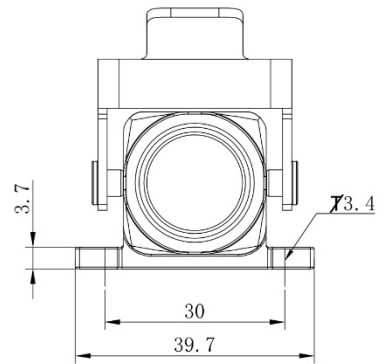
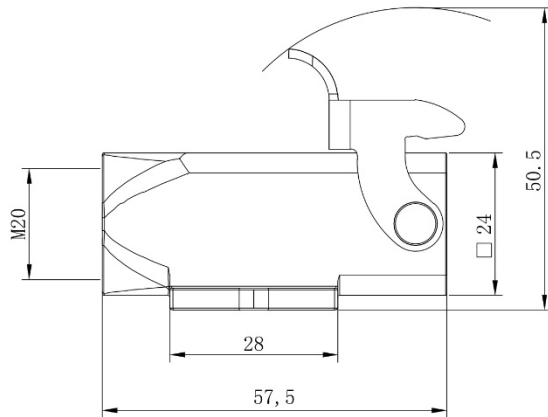
#### Technical specification:

- Material: zinc die-cast
- Surface: powder-coated
- Colour: (grey)
- Temperature range: -40°C - +125°C
- Degree of Protection: IP65  
(acc.to IEC 60529 for coupled connector)
- Locking element:
  - locking type: single locking latch
  - material: stainless steel
- Cable entry: side entry
- No. of cable entries: 1
- Thread size: PG13.5

## Dimensional line drawings

### Surface Mount 1 Locking Lever M20

208-4229

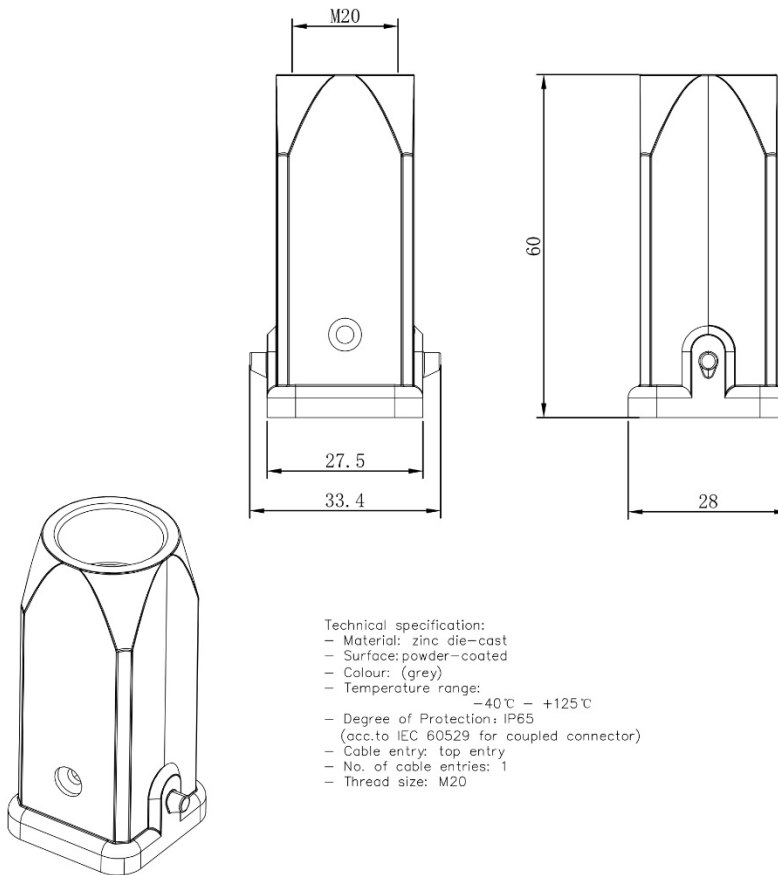


#### Technical specification:

- Material: zinc die-cast
- Surface: powder-coated
- Colour: (grey)
- Temperature range:
  - 40°C - +125°C
- Degree of Protection: IP65  
(acc.to IEC 60529 for coupled connector)
- Locking element:
  - locking type: single locking latch
  - material: stainless steel
- Cable entry: side entry
- No. of cable entries: 1
- Thread size: M20

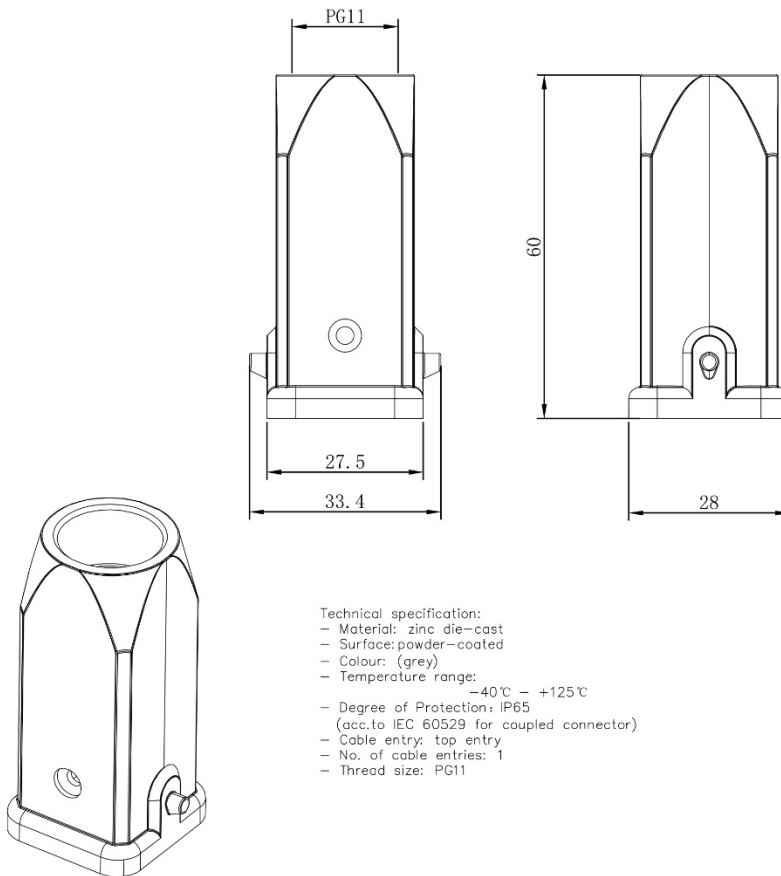
## Dimensional line drawings

### Top Entry Hood 2 Locking Points M20 208-4233



## Dimensional line drawings

### Top Entry Hood 2 Locking Points PG11 208-4234



## Dimensional line drawings

### Top Entry Hood 2 Locking Points PG13.5

208-4235

