



Datasheet

RS PRO Type 1 20mm dia x 10mm H

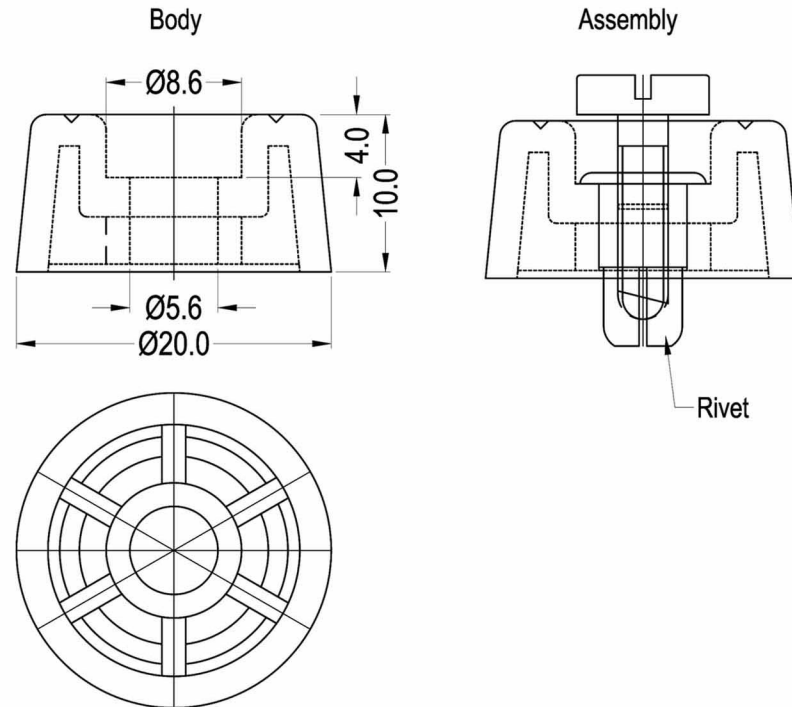
Stock number: 172-0855

EN



DIMENSIONS	TOLERANCE
<4mm	±0.15
4mm~15mm	±0.20
15mm~30mm	±0.30
30mm~50mm	±0.50
50mm~100mm	±1.00

REVISIONS			
REV	DESCRIPTION	DATE	BY
01	NEW DRAWING	2015-9-16	Jack Xu



NOTES:

- 1.MATERIAL: TPV UL94 HB(Feet Body)
PA6 UL94 V2(Rivet Body)
POM UL94 HB(Rivet Pin)

2.Hole:Ø5.0~5.1mm

Panel Thickness:1.0~2.3mm

Unit:mm

SCALE	2:1	PART NAME	Soft Fast Foot
COLOR	BLACK	PART NO.	172-0855
DRAWN	ALEX	MATERIAL	SEE NOTES
CHECK	JACK	DRAWING NO.	KS180712-7
APPROVED	FRED	DRAWING DATE	2015-9-16