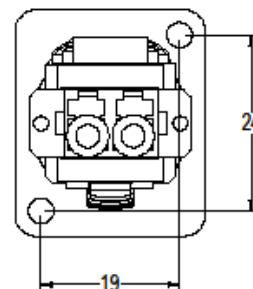
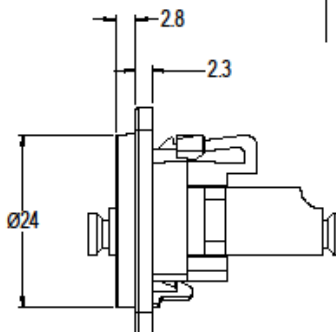
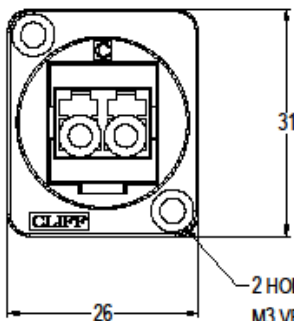
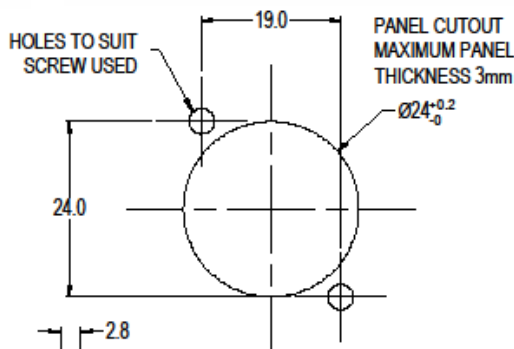
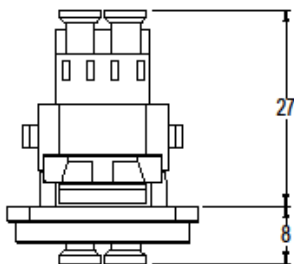


Datasheet

# RS PRO METAL LC DUPLEX MM M3 FEEDTHROUGH CONNECTOR

Stock No: 2035586, 2035587



2 HOLES:  $\phi 3.5\text{mm CSK } 82^\circ \times \phi 5.85$   
M3 VERSION HAS M3 THREAD HOLES.

Materials:

1. Coupler Body: PEI
2. Frame: Nickel or black plated zinc diecast
3. Sleeve: Ceramic
4. Dust Cover: PE
5. Insert: ABS/PC

Notes:

1. Insertion Loss:  $\leq 0.3\text{dB}$

## Features & Benefits:

- Fits standard XLR Ø24mm cutout.
- No soldering or punch termination. Use standard cable for each connector style.
- Front or rear mounted.
- Low rear profile

## General:

Please note: Functionality is affected by cable quality, length and cable wiring configuration.

## Other models available:

### Part No.

- 9075643** LC Duplex MM Nickel plated metal frame, CSK holes  
**9160237** LC Duplex MM Black metal frame, CSK holes



[rspro.com](http://rspro.com)

