

# SafeHome Smoke Detector

Model GS508

## LED Indicator

Blinks every 32 seconds to indicate in operating condition.

## Test button

Simple push button to test smoke detector

## Built In Battery

No additional wiring required. 10 year non-replaceable Battery



## Main Features

- **Photoelectric technology** – Greatly reduces the amount of false alarms.
- **3 Year Limited Smoke Detector Warranty**
- **End of life warning** – “Chirps” with red LED flash once every 40 seconds.
- **Installation by drilling or magnet** – 2 convenient methods of installation

## Description

The SafeHome GS508 is a battery operated smoke detector which utilises a photoelectric sensor. Photoelectric technology allows the detector to be more sensitive to detecting slow smoldering fires which generate thick black smoke and little heat.

The built in battery that comes with the smoke detector has a minimum lifespan of **10 year**.

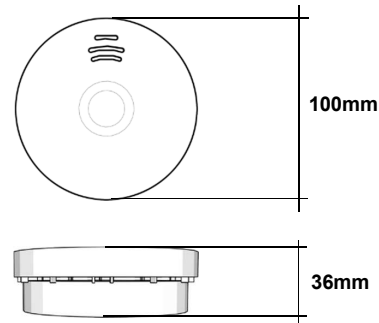
When low on battery, the smoke detector produces a chirping sound as a reminder for replacement.

Installation can be done in 2 convenient methods. Either fasten the base of the smoke detector to the ceiling with a screws drilled into the wall, or use the optional magnet with self-adhesive on a clean smooth surface (Purchased separately).

Backed by a 3 year limited 1 to 1 warranty, we guarantee the quality of this valuable, life-saving product.

## Technical Specifications

<b>Model:</b>	SafeHome GS508
<b>Power:</b>	Built In DC3V (Non-replaceable)
<b>Sensor:</b>	Photoelectric
<b>Size:</b>	100mm x 36mm
<b>Current:</b>	<8uA (standby) <50mA (alarm)
<b>Volume:</b>	>85dB(A) at 3 meters
<b>Sensitivity:</b>	0.10-0.16dB/m



## Ordering Information

Model	Part Number	Description
Safe Home GS508 – 10 Year	ACC-SH-508	Built In DC3V (CR123A) included.
Safe Home Magnet	ACC-SW-MAG	Magnetic base with self-adhesive for tool-less easy installation.



EN 14604:2005/AC:2008