



**Professionally approved products.**

Product Datasheet

# **RS-E0342 fume extraction unit**

EN





*RS, Professionally Approved Products, gives you professional quality parts across all products categories. Our range has been testified by engineers as giving comparable quality to that of the leading brands without paying a premium price.*

## RS-E0342 fume extraction unit

The RS-E0342 is our cost effective tip solder fume extraction unit for professional applications. Robust design and high efficiency filtering system guarantee long life and best in class noise level. These high vacuum units are designed to extract and filter fumes and debris through small bore hoses and attachments. Ideally suited for soldering iron tip extraction, vac pens and any application requiring close proximity, micro extraction.

Minimal installation allows this unit to be moved with the work bench when factory layouts need changing due to production challenges.

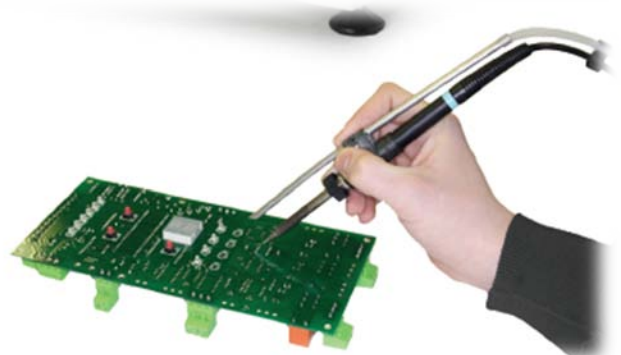
The low noise level and fully comprehensive filtration is ideal for factories with changing production demands.

### Standard features:

- Compact design
- High vacuum pumps
- Low noise level
- 3 stage filtration

### Technical data

- Dimensions (HxWxD): 571 x 340 x 340 mm
- Cabinet construction: Powder coated mild steel
- Flow rate with filters fitted (per tip): 22-30 L/M
- Electrical data: 230v 1ph 50/60Hz
- Full load current: 2.7amps / 0.4kw
- Noise level: < 56dBA\*
- Weight: 28.5kg
- Pre filter efficiency: F7 (85% @ 0.8 microns)
- HEPA filter efficiency 99.997% @ 0.3 microns
- Gas filter treated: Activated carbon
- Maximum number of Soldering Irons: 15

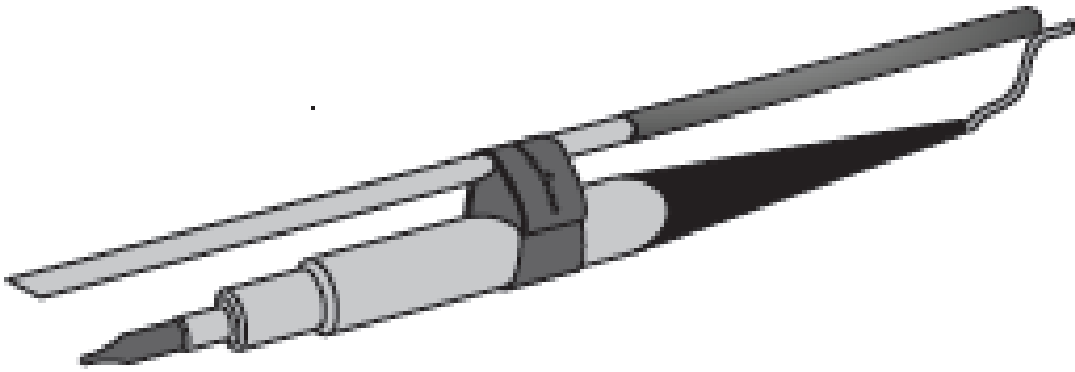




**Package includes:**

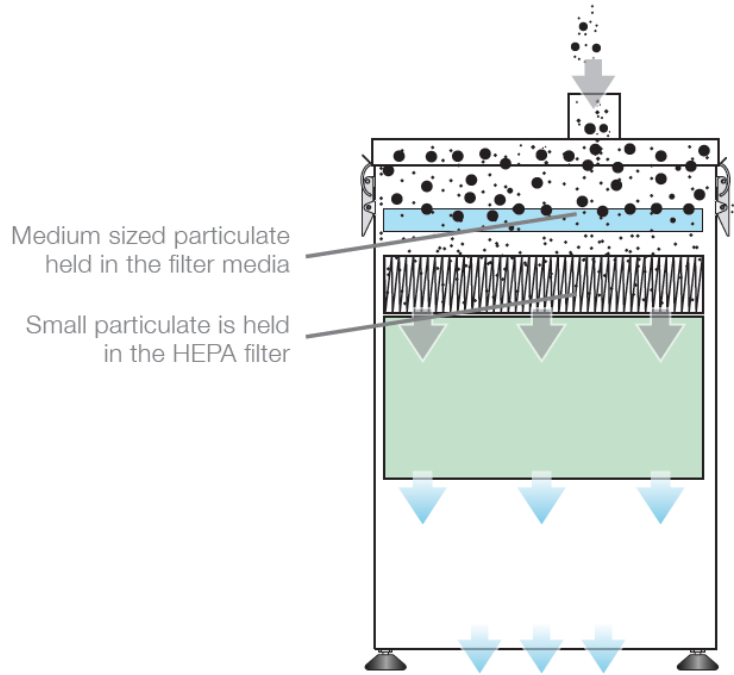
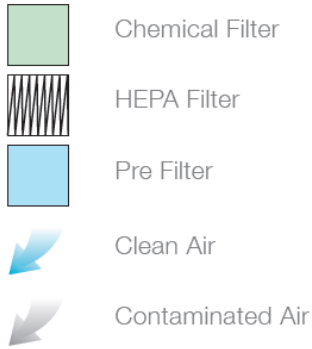
- RS-E0342 Extraction unit
- 1 x Pre filter pad
- 1 x Combined HEPA/Gas filter
- 1 x Power cable

**Optional Tip Extraction Iron Kit**

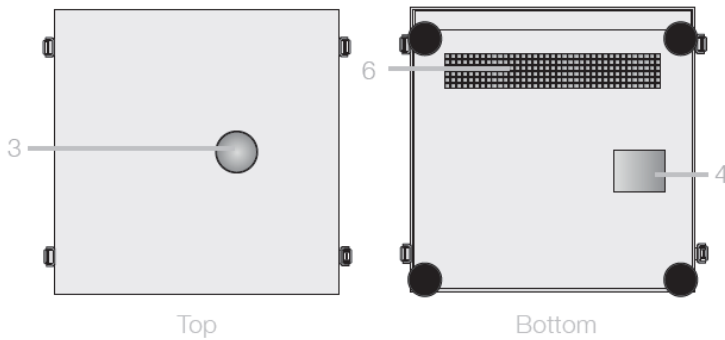




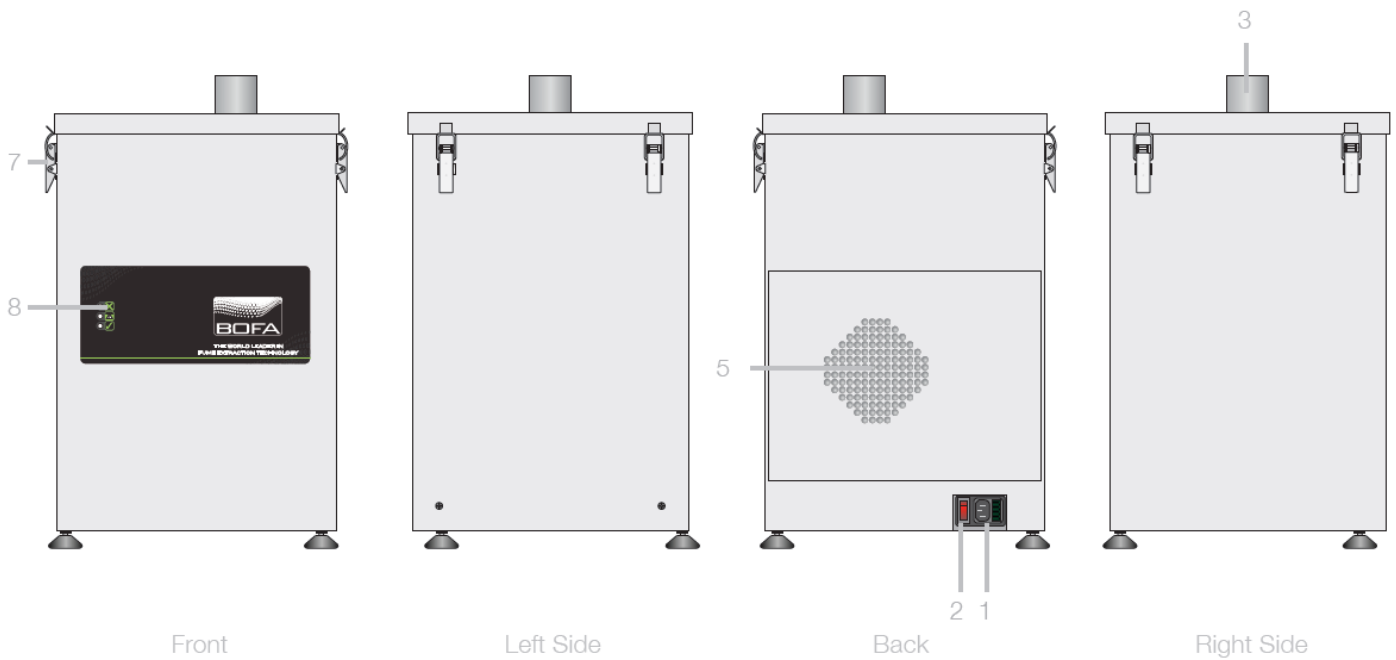
## AIRFLOW THROUGH FILTERS



## TECHNICAL SPECIFICATION



- 1 Power Cable Inlet
- 2 On / Off Switch
- 3 Hose Inlet Connection - 50mm
- 4 Exhaust Outlet
- 5 Motor Cooling Inlet
- 6 Motor Cooling Outlet
- 7 Filter Latch
- 8 Filter Condition Indicator





## Wide range of value for money fume extraction systems

### Volume range



### Tip range



### Cabs



### Accessories

