

## Features

- Rocker switch
- Red illuminated
- SPST switch configuration
- Nylon frame construction to UL 94V-2
- Silver plated Brass contacts

## RS PRO Illuminated Red SPST Rocker Switch

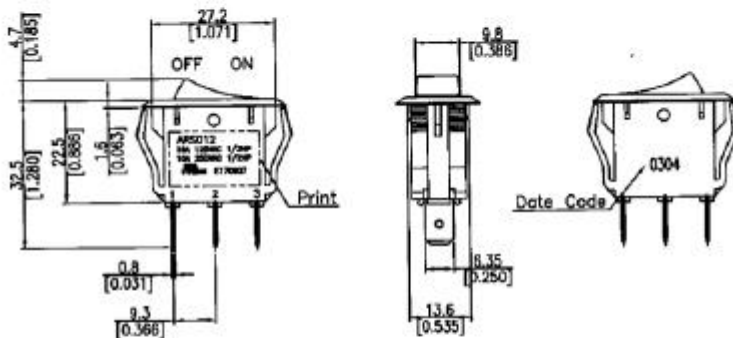
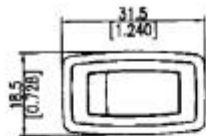
RS Stock No.: 419-766



RS PRO Professionally Approved Products bring to you professional quality parts across all product categories. Our product range has been tested by engineers and provides a comparable quality to the leading brands without paying a premium price.

## Product Description

The RS PRO rocker switch features Silver plated Brass contacts avoiding the risk of contact oxidation maintaining secure and reliable conductivity throughout its mechanical life.



Rating	16A 125VAC 1/3HP 10A 250VAC 1/2HP		Circuit Structure											
Contact R	50m ohm Max.													
Insulation R	DC 500V 100M ohm Min.													
Dielectric Strength	AC 1500V 1 minute													
Circuit	3P SPST ON-OFF (Illuminated)													
		<table border="1"> <thead> <tr> <th>Thickness</th> <th>X</th> <th>Y</th> </tr> </thead> <tbody> <tr> <td>0.75-3</td> <td>27.8-0.1</td> <td>13.0-0.1</td> </tr> <tr> <td>3-4</td> <td>27.8-0.1</td> <td>13.8-0.1</td> </tr> <tr> <td>4-5</td> <td>28.0-0.1</td> <td>13.8-0.1</td> </tr> </tbody> </table>	Thickness	X	Y	0.75-3	27.8-0.1	13.0-0.1	3-4	27.8-0.1	13.8-0.1	4-5	28.0-0.1	13.8-0.1
Thickness	X	Y												
0.75-3	27.8-0.1	13.0-0.1												
3-4	27.8-0.1	13.8-0.1												
4-5	28.0-0.1	13.8-0.1												

Frame: Nylon 66 ( Black)  
Actuator: PC (Red)