

## FEATURES

**Low noise: 2.4 nV/ $\sqrt{\text{Hz}}$  input referred voltage noise at maximum gain setting**  
**Wide input signal bandwidth: 500 kHz at 1.2 MSPS sample rate, 16-bit resolution**  
**Additional sample rates supported: 300 kSPS, 450 kSPS, 600 kSPS, 900 kSPS, and 1.8 MSPS**  
**4 differential simultaneous sampling channels**  
**No active antialiasing filter required**  
**LNA and PGA with 45 dB gain range in 6 dB steps**  
**Selectable equalizer**  
**Flexible data port supports serial or parallel mode**  
**Supports FSK mode for FMCW radar systems**  
**On-chip 1.5 V reference**  
**Internal oscillator/PLL input: 16 MHz to 54 MHz**  
**High speed serial data interface**  
**SPI control**  
**2 general-purpose inputs/outputs**  
**48-lead LFCSP\_SS package**  
**Temperature range:  $-40^{\circ}\text{C}$  to  $+125^{\circ}\text{C}$**   
**Single supply operation of 3.3 V**  
**Qualified for automotive applications**

## APPLICATIONS

**Automotive LSR systems**  
**Data acquisition systems**

## GENERAL DESCRIPTION

The [ADAR7251](#) is a 16-bit, 4-channel, simultaneous sampling analog-to-digital converter (ADC) designed especially for applications such as automotive LSR-FMCW or FSK-FMCW radar systems. Each of the four channels contains a low noise amplifier (LNA), a programmable gain amplifier (PGA), an equalizer, a multibit  $\Sigma$ - $\Delta$  ADC, and a decimation filter.

The front-end circuitry is designed to allow direct connection to an MMIC output with few external passive components. The [ADAR7251](#) eliminates the need for a high order antialiasing filter, driver op amps, and external bipolar supplies. The [ADAR7251](#) also offers precise channel-to-channel drift matching.

The [ADAR7251](#) features an on-chip phase-locked loop (PLL) that allows a range of clock frequencies for flexibility in the system. The `CONV_START` input and `DATA_READY` output signals synchronize the ADC with an external ramp for applications such as FSK-FMCW radar.

The [ADAR7251](#) supports serial and parallel interfaces at programmable sample rates from 300 kSPS to 1.8 MSPS, as well as easy connections to digital signal processors (DSPs) and microcontroller units (MCUs) in the system.

## TABLE OF CONTENTS

|  |    |   |    |
|--|----|---|----|
| Features .....   | 1  | PLL Control Register .....  | 38 |
| Applications .....   | 1  | PLL Status Register .....   | 38 |
| General Description .....                                    | 1  | Master Enable Switch Register .....   | 39 |
| Revision History .....                                       | 3  | ADC Enable Register .....   | 39 |
| Functional Block Diagram .....                               | 4  | Power Enable Register .....   | 40 |
| Specifications .....   | 5  | Clear the ASIL errors Register .....  | 41 |
| Analog Channel .....   | 5  | Selects Which Errors to Mask Register .....                                     | 42 |
| Digital Input/Output .....                                   | 6  | ASIL Error Flag Register .....  | 43 |
| Power Supply .....   | 7  | ASIL Error Code Register .....  | 43 |
| Digital Filter .....   | 8  | CRC Value, Bits[7:0] Register .....   | 44 |
| SPI Port Timing .....  | 8  | CRC Value Register .....  | 44 |
| Serial/Peripheral Parallel Interface (PPI) Port Timing ..... | 8  | Start Calculating the CRC Value of the Register Map Content Register .....      | 45 |
| Absolute Maximum Ratings .....                               | 11 | Register Map CRC Calculation Done Register .....                                | 45 |
| Thermal Resistance .....                                     | 11 | Register Map CRC Value, Bits[7:0] Register .....                                | 45 |
| ESD Caution .....  | 11 | Register Map CRC Value, Bits[15:8] Register .....                               | 46 |
| Pin Configuration and Function Descriptions .....            | 12 | Low Noise Amplifier Gain Control Register .....                                 | 46 |
| Typical Performance Characteristics .....                    | 14 | Programmable Gain Amplifier Gain Control Register .....                         | 47 |
| Terminology .....  | 17 | Signal Path for ADC 1 Through ADC 4 Register .....                              | 48 |
| Theory of Operation .....                                    | 18 | Decimator Rate Control Register .....   | 49 |
| Low Speed Ramp Radar Analog Front End .....                  | 18 | High Pass Filter Control Register .....   | 50 |
| Main Channel Overview .....                                  | 18 | DAQ Mode Control Register .....   | 51 |
| $\Sigma$ - $\Delta$ Modulation and Digital Filtering .....   | 18 | Decimator Truncate Control Register .....                                       | 52 |
| Differential Input Configuration .....                       | 19 | Serial Output Port Control Register .....                                       | 52 |
| Equalizer (EQ) .....   | 19 | Parallel Port Control Register .....  | 53 |
| Using LNA/PGA, EQ, or the Input Capacitor .....              | 20 | ADC Digital Output Mode Register .....  | 54 |
| Reference .....  | 20 | Auxiliary ADC Read Value Registers .....  | 54 |
| Auxiliary ADC .....  | 20 | Auxiliary ADC Sample Rate Selection Register .....                              | 55 |
| Power Supply .....   | 21 | Auxiliary ADC Mode Register .....   | 56 |
| LDO .....  | 21 | MPx Pin Modes Registers .....   | 56 |
| Clock Requirements .....                                     | 21 | MP Write Value Registers .....  | 58 |
| Crystal Oscillator .....                                     | 21 | MP Read Value Registers .....   | 58 |
| PLL .....  | 21 | SPI_CLK Pin Drive Strength and Slew Rate Register .....                         | 59 |
| GPIO .....   | 23 | SPI_MISO Pin Drive Strength and Slew Rate Register .....                        | 60 |
| ADC Data Port .....  | 23 | $\overline{\text{SPI\_SS}}$ Pin Drive Strength and Slew Rate Register .....     | 60 |
| PCB Layout Guidelines .....                                  | 33 | SPI_MOSI Pin Drive Strength and Slew Rate Register .....                        | 61 |
| Register Summary .....                                       | 34 | ADDR15 Pin Drive Strength and Slew Rate Register .....                          | 62 |
| Register Details .....                                       | 37 | $\overline{\text{FAULT}}$ Pin Drive Strength and Slew Rate Register .....       | 62 |
| Clock Control Register .....                                 | 37 | FS_ADC Pin Drive Strength and Slew Rate Register .....                          | 63 |
| PLL Denominator Register .....                               | 37 | $\overline{\text{CONV\_START}}$ Pin Drive Strength and Slew Rate Register ..... | 64 |
| PLL Numerator Register .....                                 | 37 |   |    |

|  |    |                                   |    |
|--|----|-----------------------------------|----|
| SCLK_ADC Pin Drive Strength and Slew Rate Register .....   | 64 | CRC Enable/Disable Register ..... | 70 |
| ADC_DOUTx Pins Drive Strength and Slew Rate Registers .... | 65 | Typical Application Circuit.....  | 71 |
| DATA_READY Pin Drive Strength and Slew Rate Register.....  | 68 | Outline Dimensions.....           | 72 |
| XTAL Enable and Drive Register .....                       | 68 | Ordering Guide .....              | 72 |
| ADC Test Register.....                                     | 69 | Automotive Products.....          | 72 |
| Digital Filter Sync Enable Register .....                  | 70 |                                   |    |

**REVISION HISTORY**

11/14—Revision 0: Initial Version

FUNCTIONAL BLOCK DIAGRAM

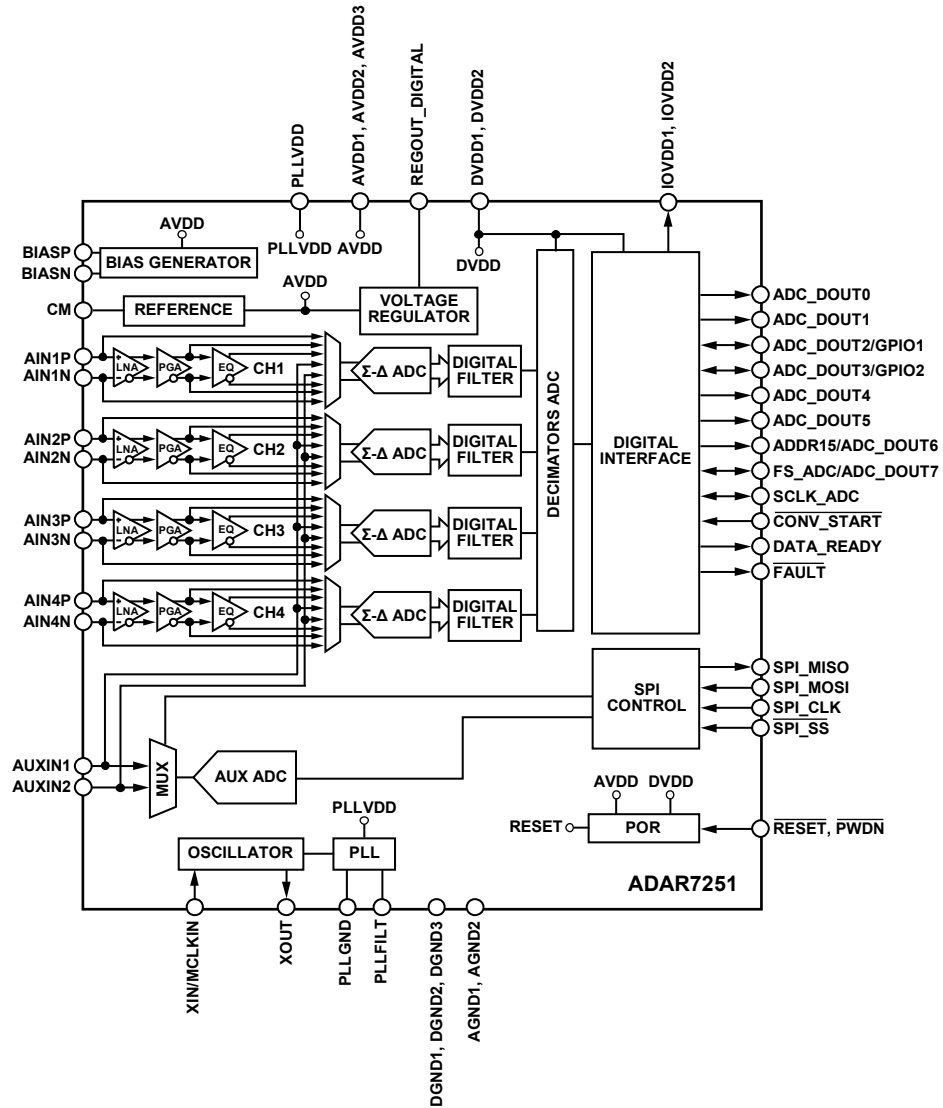


Figure 1.

12357-001

## SPECIFICATIONS

### ANALOG CHANNEL

AVDD<sub>X</sub> = 3.3 V, DVDD<sub>X</sub> = 1.8 V, IOVDD<sub>X</sub> = 3.3 V, V<sub>REF</sub> = 1.5 V internal/external reference, f<sub>SAMPLE</sub> = 1.2 MSPS, T<sub>AMB</sub> = -40°C to +125°C, unless otherwise noted.

Table 1.

| Parameter   | Test Conditions/Comments                          | Min            | Typ  | Max  | Unit    |        |
|---|---|----------------|------|------|---------|--------|
| <b>DYNAMIC PERFORMANCE</b>                                  |   |                |      |      |         |        |
| Input Referred Noise Spectral Density<br>Frequency = 100 Hz | Gain = 9 dB                                       |                | 44.7 |      | nV/√Hz  |        |
|   | Gain = 15 dB                                      |                | 23.6 |      | nV/√Hz  |        |
|   | Gain = 21 dB                                      |                | 15   |      | nV/√Hz  |        |
|   | Gain = 27 dB                                      |                | 12   |      | nV/√Hz  |        |
|   | Gain = 33 dB                                      |                | 11.3 |      | nV/√Hz  |        |
|   | Gain = 39 dB                                      |                | 10.9 |      | nV/√Hz  |        |
|   | Gain = 45 dB                                      |                | 10.8 |      | nV/√Hz  |        |
|   | Frequency = 1 kHz                                 | Gain = 9 dB    |      | 16   |         | nV/√Hz |
|   |   | Gain = 15 dB   |      | 8.7  |         | nV/√Hz |
|   |   | Gain = 21 dB   |      | 5.4  |         | nV/√Hz |
|   |   | Gain = 27 dB   |      | 4.3  |         | nV/√Hz |
|   |   | Gain = 33 dB   |      | 4    |         | nV/√Hz |
|   |   | Gain = 39 dB   |      | 3.86 |         | nV/√Hz |
|   |   | Gain = 45 dB   |      | 3.83 |         | nV/√Hz |
|   | Frequency = 100 kHz                               | Gain = 9 dB    |      | 9.7  |         | nV/√Hz |
|   |   | Gain = 15 dB   |      | 5.2  |         | nV/√Hz |
|   |   | Gain = 21 dB   |      | 3.3  |         | nV/√Hz |
|   |   | Gain = 27 dB   |      | 2.67 |         | nV/√Hz |
|   |   | Gain = 33 dB   |      | 2.5  |         | nV/√Hz |
|   |   | Gain = 39 dB   |      | 2.44 |         | nV/√Hz |
|   |   | Gain = 45 dB   |      | 2.4  |         | nV/√Hz |
| Equalizer Corner Frequency                                  |   | Setting 1 EQ00 |      | 54   |         | kHz    |
|   | Setting 2 EQ01                                    |                | 45   |      | kHz     |        |
|   | Setting 3 EQ10                                    |                | 37   |      | kHz     |        |
|   | Setting 4 EQ11                                    |                | 32   |      | kHz     |        |
| Signal to Noise Ratio (SNR)                                 | No input signal and reference to 0 dBFS           | 88             | 94   |      | dB      |        |
| Spurious-Free Dynamic Range (SFDR)                          | At -3 dBFS input, 100 kHz                         | 68             | 82   |      | dB      |        |
| Total Harmonic Distortion Plus Noise (THD + N)              | At -3 dBFS input, 100 kHz                         |                | -80  | -66  | dB      |        |
|   | At -1 dBFS input, 100 kHz                         |                | -77  | -62  | dB      |        |
| Channel to Channel Crosstalk                                | At 50 kHz, -3 dBFS input                          |                | -94  | -89  | dB      |        |
| Interchannel Gain Mismatch                                  |   | -0.5           | 0    | +0.5 | dB      |        |
| Interchannel Phase Mismatch                                 |   |                | 0.04 |      | Degrees |        |
| DC Offset   |   |                | -72  |      | dBFS    |        |
| Power Supply Rejection                                      | Ripple = 100 mV rms on AVDD <sub>X</sub> at 1 kHz |                | 65   |      | dB      |        |

| Parameter                              | Test Conditions/Comments                                       | Min   | Typ   | Max  | Unit       |
|--|--|-------|-------|------|------------|
| <b>ANALOG INPUT</b>                    |  |       |       |      |            |
| Full-Scale Differential Voltage        | Gain = 0 dB (LNA and PGA bypass)                               |       | 5.6   |      | V p-p      |
|  | Gain = 9 dB  |       | 1.987 |      | V p-p      |
|  | Gain = 15 dB   |       | 0.995 |      | V p-p      |
|  | Gain = 21 dB   |       | 0.498 |      | V p-p      |
|  | Gain = 27 dB   |       | 249   |      | mV p-p     |
|  | Gain = 33 dB   |       | 124   |      | mV p-p     |
|  | Gain = 39 dB   |       | 62    |      | mV p-p     |
|  | Gain = 45 dB   |       | 31    |      | mV p-p     |
| Common-Mode Rejection Ratio (CMRR)     | At 1 kHz   |       | 68    |      | dB         |
| Gain Error                             |  | -0.8  |       | +0.8 | dB         |
| Input Resistance                       | Single-ended   |       | 2860  |      | $\Omega$   |
|  | Differential   |       | 5720  |      | $\Omega$   |
| VOLTAGE REFERENCE IN/OUT ( $V_{REF}$ ) | At the CM pin  |       | 1.5   |      | V          |
| <b>CONVERSION SAMPLE RATE</b>          |  |       |       |      |            |
| Sample Rate                            |  | 0.3   | 1.2   | 1.8  | MSPS       |
| Input Signal Bandwidth                 |  | 150   | 600   | 900  | kHz        |
| <b>PLL</b>                             |  |       |       |      |            |
| Input Frequency                        |  | 16    |       | 54   | MHz        |
| Output Frequency (Internal)            |  |       | 115.2 |      | MHz        |
| Lock Time                              |  |       | 1     |      | ms         |
| <b>LDO</b>                             |  |       |       |      |            |
| REGOUT_DIGITAL Output Voltage          | Used for internal digital core only                            |       | 1.8   |      | V          |
| Line Regulation                        | AVDDx as an input  | 2.97  | 3.3   | 3.63 | V          |
| Load Regulation                        | Used for internal digital core only                            |       | 1     |      | %          |
| <b>AUXILIARY ADC</b>                   |  |       |       |      |            |
| Full-Scale Input                       |  |       | 3.3   |      | V p-p      |
| Sample Rate                            |  | 112.5 |       | 450  | kHz        |
| Resolution                             |  |       | 8     |      | bits       |
| INL                                    |  |       | 0.5   |      | LSB        |
| DNL                                    |  |       | 1     |      | LSB        |
| Input Resistance <sup>1</sup>          | Switched capacitor input at a switching frequency of 112.5 kHz |       | 1.2   |      | M $\Omega$ |

<sup>1</sup> From simulation.

## DIGITAL INPUT/OUTPUT

DVDDx = 1.8 V, IOVDDx = 3.3 V, C<sub>LOAD</sub> = 22 pF.

Table 2.

| Parameter                    | Symbol   | Test Conditions/Comments | Min           | Typ | Max          | Unit          |
|------------------------------|----------|--------------------------|---------------|-----|--------------|---------------|
| <b>INPUT VOLTAGE</b>         |          |                          |               |     |              |               |
| High Level                   | $V_{IH}$ |                          | 0.7 × IOVDDx  |     |              | V             |
| Low Level                    | $V_{IL}$ |                          |               |     | 0.3 × IOVDDx | V             |
| <b>OUTPUT VOLTAGE</b>        |          |                          |               |     |              |               |
| High Level                   | $V_{OH}$ | $I_{OH} = 1 \text{ mA}$  | IOVDDx - 0.60 |     |              | V             |
| Low Level                    | $V_{OL}$ | $I_{OL} = 1 \text{ mA}$  |               |     | 0.4          | V             |
| <b>INPUT CAPACITANCE</b>     |          |                          |               |     |              |               |
|                              |          |                          |               |     | 5            | pF            |
| <b>INPUT LEAKAGE CURRENT</b> |          |                          |               |     |              |               |
|                              |          |                          |               |     | ±10          | $\mu\text{A}$ |

**POWER SUPPLY**

AVDDx = 3.3 V, DVDDx = 1.8 V, IOVDDx = 3.3 V,  $f_s = 1.2$  MHz (master mode), PLL enabled with 19.2 MHz master clock input, -3 dBFS, 100 kHz input on all channels, unless otherwise noted.

**Table 3.**

| Parameter                | Test Conditions/Comments                             | Min  | Typ | Max  | Unit    |
|--------------------------|--|------|-----|------|---------|
| DVDD                     | On-chip LDO  | 1.62 | 1.8 | 1.98 | V       |
| Current                  |  |      |     |      |         |
| Normal Operation         | DVDDx external at $f_s = 1.2$ MHz                    |      | 32  |      | mA      |
| Power-Down               | Standby without master clock                         |      | 80  |      | $\mu$ A |
| AVDD                     |  | 2.97 | 3.3 | 3.6  | V       |
| Current                  |  |      |     |      |         |
| Normal Operation         | 4-channel ADC, DVDDx internal, $f_s = 1.2$ MHz       |      | 115 |      | mA      |
|                          | Power save mode                                      |      | 87  |      | mA      |
| Power-Down               | <u>RESET/PWDN</u> pin held low without master clock  |      | 1.1 |      | mA      |
|                          | <u>RESET/PWDN</u> pin held low with master clock     |      | 1.1 |      | mA      |
| IOVDD                    |  | 2.97 | 3.3 | 3.6  | V       |
| Current                  |  |      |     |      |         |
| Normal Operation         | Input master clock = 19.2 MHz                        |      |     |      |         |
|                          | 4-channel ADC; serial mode, 2 channels per data line |      |     |      |         |
|                          | $f_s = 1.2$ MHz                                      |      | 4   |      | mA      |
|                          | $f_s = 900$ kHz                                      |      | 3.4 |      | mA      |
|                          | $f_s = 600$ kHz                                      |      | 2.7 |      | mA      |
|                          | $f_s = 300$ kHz                                      |      | 2   |      | mA      |
|                          | 4-channel ADC; parallel mode, byte wide format       |      |     |      |         |
|                          | $f_s = 1.8$ MHz                                      |      | 2.8 |      | mA      |
|                          | $f_s = 1.2$ MHz                                      |      | 2.3 |      | mA      |
|                          | $f_s = 900$ kHz                                      |      | 2   |      | mA      |
|                          | $f_s = 600$ kHz                                      |      | 1.7 |      | mA      |
|                          | $f_s = 300$ kHz                                      |      | 1.3 |      | mA      |
| Power-Down               | <u>RESET/PWDN</u> pin held low without master clock  |      | 335 |      | $\mu$ A |
|                          | <u>RESET/PWDN</u> pin held low with master clock     |      | 360 |      | $\mu$ A |
| POWER DISSIPATION        |  |      |     |      |         |
| Normal Operation         | Input master clock = 19.2 MHz                        |      |     |      |         |
|                          | DVDDx internal, 4-channel ADC at $f_s = 1.2$ MHz     |      | 400 |      | mW      |
|                          | DVDDx external, 4-channel ADC at $f_s = 1.2$ MHz     |      | 294 |      | mW      |
| Power-Down, All Supplies | <u>RESET/PWDN</u> pin held low with master clock     |      | 5   |      | mW      |

**DIGITAL FILTER**

Table 4.

| Parameter                                 | Mode   | Factor             | Min   | Typ  | Max  | Unit |
|---|--|--------------------|-------|------|------|------|
| ADC DECIMATION FILTER                     | At $f_s = 1.2$ MHz, decimation ratio = 48                        |                    |       |      |      |      |
| At $f_s = 1.2$ MHz, Decimation Ratio = 48 |  |                    |       |      |      |      |
| Pass Band                                 | −0.1 dB corner   | $0.166 \times f_s$ |       | 200  |      | kHz  |
| Pass-Band Droop                           | At 600 kHz   |                    |       | −1.4 |      | dB   |
| Stop Band                                 |  | $0.666 \times f_s$ |       | 800  |      | kHz  |
| Stop-Band Attenuation                     |  |                    |       | 70   |      | dB   |
| Group Delay                               |  |                    |       | 95   |      | μs   |
| High-Pass Filter                          |  |                    |       |      |      |      |
| Corner Frequency                          | −3 dB, programmable in eight steps                               |                    | 0.729 |      | 93.3 | Hz   |
| Attenuation                               | See Figure 24 in the Typical Performance Characteristics section |                    |       |      |      |      |

**SPI PORT TIMING**

DVDDX = 1.8 V, IOVDDX = 3.3 V,  $C_{LOAD} = 22$  pF,  $I_{OUT} = \pm 1$  mA.

Table 5.

| Parameter      | Description                          | Limit at |     |     | Unit |
|----------------|--------------------------------------|----------|-----|-----|------|
|                |                                      | Min      | Typ | Max |      |
| SPI PORT       | See Figure 2                         |          |     |     |      |
| $t_{CCPH}$     | SPI_SCLK high                        | 50       |     |     | ns   |
| $t_{CCPL}$     | SPI_SCLK low                         | 50       |     |     | ns   |
| $f_{SPI\_CLK}$ | SPI_SCLK frequency                   |          |     | 10  | MHz  |
| $t_{CDS}$      | SPI_MOSI setup to SPI_SCLK rising    | 10       |     |     | ns   |
| $t_{CDH}$      | SPI_MOSI hold from SPI_SCLK rising   | 10       |     |     | ns   |
| $t_{CLS}$      | SPI_SS setup to SPI_SCLK rising      | 10       |     |     | ns   |
| $t_{CLH}$      | SPI_SS hold from SPI_SCLK rising     | 40       |     |     | ns   |
| $t_{CLPH}$     | SPI_SS high                          | 10       |     |     | ns   |
| $t_{CDH}$      | SPI_MISO hold from SPI_SCLK rising   |          |     | 30  | ns   |
| $t_{COD}$      | SPI_MISO delay from SPI_SCLK falling |          |     | 30  | ns   |
| $t_{COTS}$     | SPI_MISO tristate from SPI_SS rising |          |     | 30  | ns   |

**SERIAL/PERIPHERAL PARALLEL INTERFACE (PPI) PORT TIMING**

DVDDX = 1.8 V, IOVDDX = 3.3 V,  $C_{LOAD} = 22$  pF,  $I_{OUT} = \pm 1$  mA.

Table 6.

| Parameter                   | Description  | Limit at |     |     | Unit |
|-----------------------------|--|----------|-----|-----|------|
|                             |  | Min      | Typ | Max |      |
| INPUT MASTER CLOCK (MCLKIN) |  |          |     |     |      |
| Duty Cycle                  | MCLKIN duty cycle; MCLKIN at $256 \times f_s$ , $384 \times f_s$ , $512 \times f_s$ , and $768 \times f_s$ | 40       |     | 60  | %    |
| $f_{MCLKIN}$                | MCLKIN frequency, PLL in MCLK mode   | 16       |     | 54  | MHz  |
| RESET                       |  |          |     |     |      |
| Reset Pulse, $t_{RESET}$    | RESET/PWDN held low  | 15       |     |     | ns   |
| PLL                         |  |          |     |     |      |
| Lock Time                   |  |          |     | 1   | ms   |



| Parameter                       | Description   | Limit at |     |                      | Unit    |
|---------------------------------|---|----------|-----|----------------------|---------|
|                                 |   | Min      | Typ | Max                  |         |
| ADC SERIAL PORT MASTER MODE     | See Figure 3  |          |     |                      |         |
| $t_{SCKH}$                      | SCLK_ADC high, slave mode   | 10       |     |                      | ns      |
| $t_{SCKL}$                      | SCLK_ADC low, slave mode  | 10       |     |                      | ns      |
| $t_{DS}$                        | ADC_DOUTx setup to SCLK_ADC rising, slave mode  | 10       |     |                      | ns      |
| $t_{DH}$                        | ADC_DOUTx hold from SCLK_ADC rising, slave mode   | 5        |     |                      | ns      |
| $t_{DD}$                        | ADC_DOUTx delay from SCLK_ADC falling   |          |     | 18                   | ns      |
| $t_{FSH}$                       | FS_ADC hold from SCLK_ADC rising  |          |     | 18                   | ns      |
| $t_{FSS}$                       | FS_ADC setup from SCLK_ADC falling  |          |     | 1                    | ns      |
| ADC SERIAL PORT SLAVE MODE      | See Figure 4  |          |     |                      |         |
| $t_{SCKH}$                      | SCLK_ADC high, slave mode   | 7        |     |                      | ns      |
| $t_{SCKL}$                      | SCLK_ADC low, slave mode  | 7        |     |                      | ns      |
| $t_{DS}$                        | ADC_DOUTx valid to SCLK_ADC rising, slave mode  | 11       |     |                      | ns      |
| $t_{DH}$                        | ADC_DOUTx hold from SCLK_ADC rising, slave mode   | 11       |     |                      | ns      |
| $t_{DD}$                        | ADC_DOUTx delay from SCLK_ADC falling   |          |     | 2                    | ns      |
| $t_{FSH}$                       | FS_ADC hold from SCLK_ADC rising  |          |     | 1                    | ns      |
| $t_{FSS}$                       | FS_ADC setup from SCLK_ADC falling  |          |     | 1                    | ns      |
| PARALLEL MODE, BYTE WIDE FORMAT | See Figure 5; if using CONV_START, see Figure 6 for the CONV_START to DATA_READY timing relation  |          |     |                      |         |
| $t_{SCKH}$                      | SCLK_ADC high, master mode  | 28       |     |                      | ns      |
| $t_{SCKL}$                      | SCLK_ADC low, master mode   | 28       |     |                      | ns      |
| $t_{DS}$                        | ADC_DOUTx setup to SCLK_ADC rising, master mode   | 7        |     |                      | ns      |
| $t_{DH}$                        | ADC_DOUTx hold from SCLK_ADC rising, master mode  | 5        |     |                      | ns      |
| $t_{DD}$                        | ADC_DOUTx delay from SCLK_ADC falling for left justified (LJ) mode<br>For I <sup>2</sup> S mode, add one SCLK_ADC period to the $t_{DD}$ of LJ mode |          |     | 6                    | ns      |
| $t_{CSDR}$                      | CONV_START falling to DATA_READY rising   |          |     | 1.215                | $\mu$ s |
| DATA ACQUISITION (DAQ) MODE     | CONV_START falling to DATA_READY rising, see Figure 6   |          |     |                      |         |
| $t_{DRH}$                       | CONV_START rising to DATA_READY falling   |          |     | 0.44                 | $\mu$ s |
| $t_{CSDR}$                      | DAQ16 mode (16 acquisition clock cycles)<br>DAQ24 mode (24 acquisition clock cycles)<br>DAQ32 mode (32 acquisition clock cycles)                    |          |     | 1.215<br>1.8<br>2.43 | $\mu$ s |

Timing Diagrams

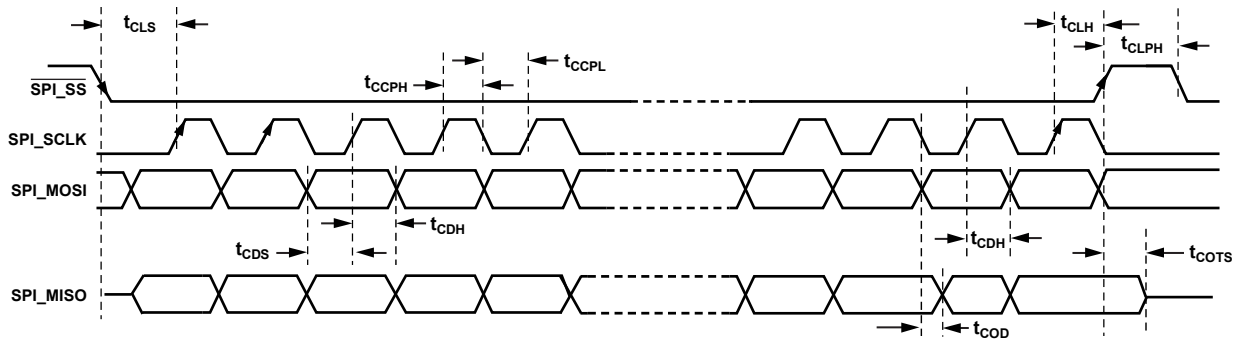


Figure 2. SPI Port Timing

12367-002

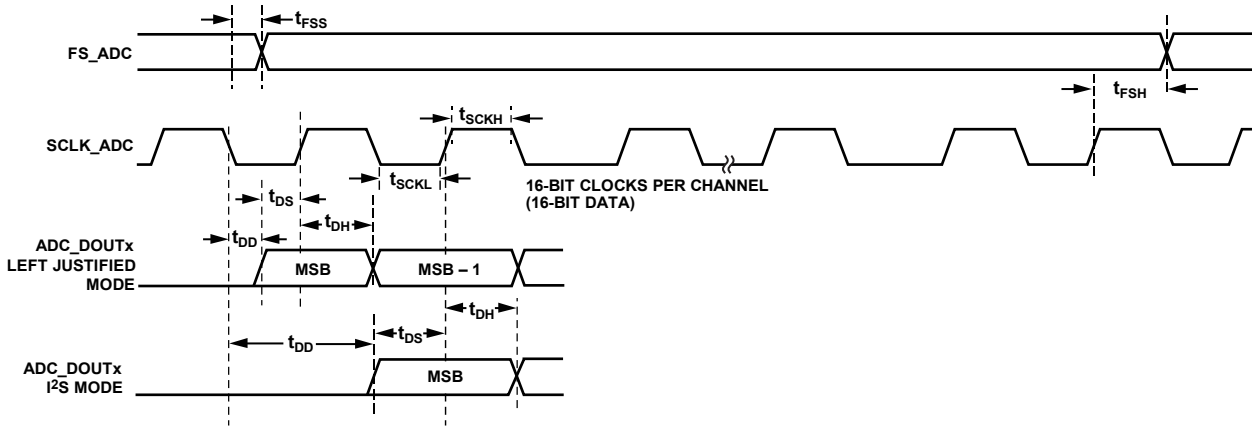


Figure 3. Serial Port Timing Master Mode

12357-004

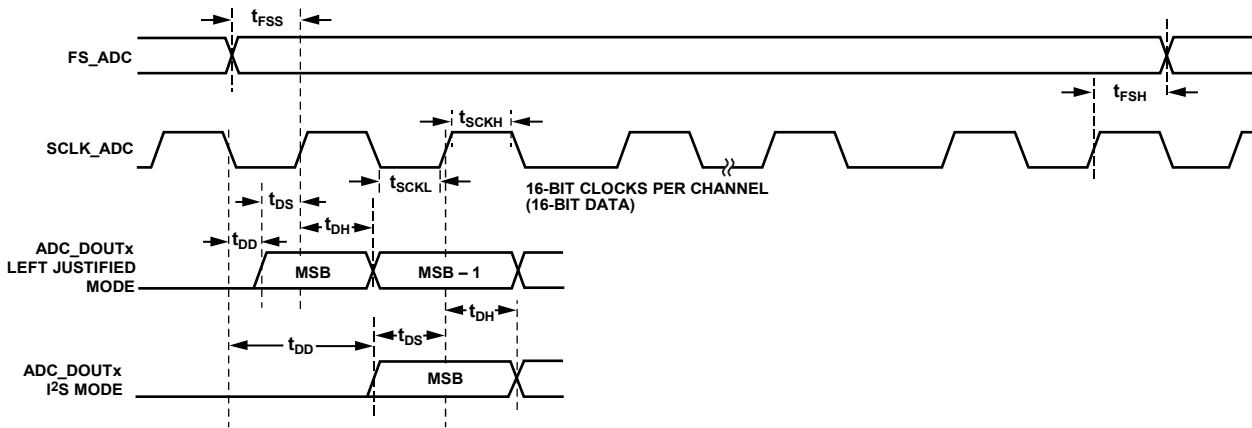


Figure 4. Serial Output Port Timing Slave Mode

12357-003

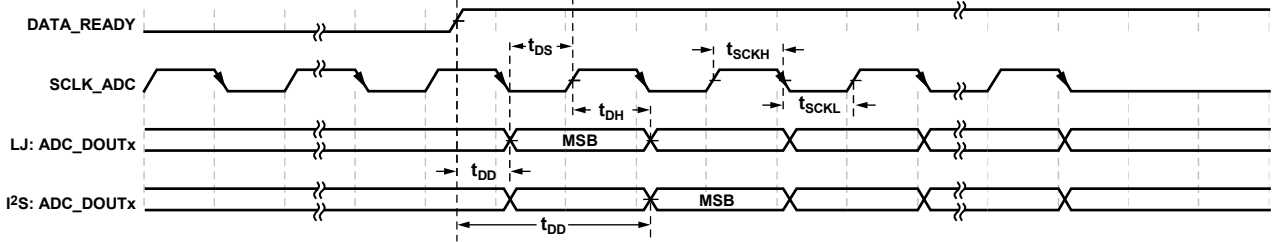


Figure 5. PPI Timing Master Mode

12357-005

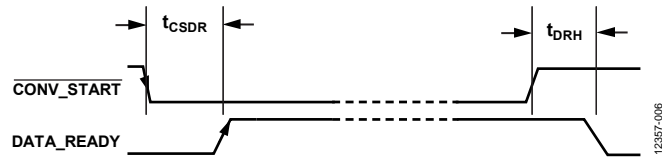


Figure 6. CONV\_START to DATA\_READY Timing

12357-006

## ABSOLUTE MAXIMUM RATINGS

Table 7.

| Parameter                                   | Rating            |
|---|-------------------|
| AVDDx to AGNDx, DGNDx                       | −0.3 V to +3.63 V |
| DVDDx to AGNDx, DGNDx                       | −0.3 V to +1.98 V |
| IOVDDx to AGNDx, DGNDx                      | −0.3 V to +3.63 V |
| AGNDx to DGNDx                              | −0.3 V to +0.3 V  |
| Analog Input Voltage to AGNDx               | −0.3 V to +3.63 V |
| Digital Input Voltage to DGNDx              | −0.3 V to +3.63 V |
| Digital Output Voltage to DGNDx             | −0.3 V to +3.63 V |
| Input Current to Any Pin Except Supplies    | ±10 mA            |
| Operating Temperature Range (Ambient)       | −40°C to +125°C   |
| Junction Temperature Range                  | −40°C to +150°C   |
| Storage Temperature Range                   | −65°C to +150°C   |
| RoHS-Compliant Temperature Soldering Reflow | 260°C             |

Stresses at or above those listed under Absolute Maximum Ratings may cause permanent damage to the product. This is a stress rating only; functional operation of the product at these or any other conditions above those indicated in the operational section of this specification is not implied. Operation beyond the maximum operating conditions for extended periods may affect product reliability.

## THERMAL RESISTANCE

$\theta_{JA}$  represents junction-to-ambient thermal resistance, and  $\theta_{JC}$  represents the junction-to-case thermal resistance. All characteristics are for a standard JEDEC board per JESD51.

Table 8. Thermal Resistance

| Package Type     | $\theta_{JA}$ <sup>1</sup> | $\theta_{JC}$ <sup>1</sup> | Unit |
|------------------|----------------------------|----------------------------|------|
| 48-Lead LFCSP_SS | 25                         | 1                          | °C/W |

<sup>1</sup>JEDEC 2S2P standard board.

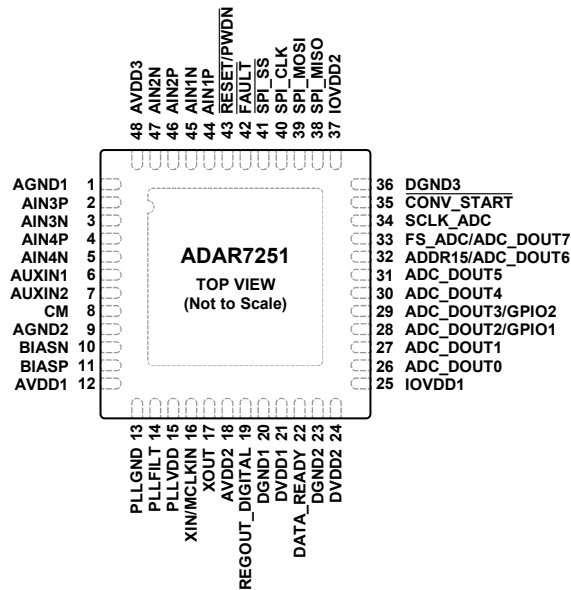
## ESD CAUTION



### ESD (electrostatic discharge) sensitive device.

Charged devices and circuit boards can discharge without detection. Although this product features patented or proprietary protection circuitry, damage may occur on devices subjected to high energy ESD. Therefore, proper ESD precautions should be taken to avoid performance degradation or loss of functionality.

# PIN CONFIGURATION AND FUNCTION DESCRIPTIONS



- NOTES**  
 1. THE EXPOSED PAD ON THE BOTTOM OF THE PACKAGE MUST BE SOLDERED TO THE GROUND PLANE ON THE BOARD FOR POWER DISSIPATION.

Figure 7. Pin Configuration

Table 9. Pin Function Descriptions

| Pin No. | Mnemonic           | Type <sup>1</sup> | Description   |
|---------|--------------------|-------------------|---|
|         | EPAD               |                   | Exposed Pad. The exposed pad on the bottom of the package must be soldered to the ground plane on the board for power dissipation.  |
| 1       | AGND1 <sup>2</sup> | PWR               | Analog Ground. This pin is the ground reference point for all analog blocks in the <a href="#">ADAR7251</a> .   |
| 2       | AIN3P              | AIN               | Noninverting Input to Differential Analog Channel 3.  |
| 3       | AIN3N              | AIN               | Inverting Input to Differential Analog Channel 3.   |
| 4       | AIN4P              | AIN               | Noninverting Input to Differential Analog Channel 4.  |
| 5       | AIN4N              | AIN               | Inverting Input to Differential Analog Channel 4.   |
| 6       | AUXIN1             | AIN               | Auxiliary ADC Analog Input 1. Single-ended analog input channel.  |
| 7       | AUXIN2             | AIN               | Auxiliary ADC Analog Input 2. Single-ended analog input channel.  |
| 8       | CM                 | AIO               | ADC Reference Output. Connect a 10 μF capacitor in parallel with a 100 nF capacitor from this pin to AGNDx.   |
| 9       | AGND2 <sup>2</sup> | PWR               | Analog Ground. This pin is the ground reference point for all analog blocks in the <a href="#">ADAR7251</a> .   |
| 10      | BIASN              | AOUT              | Internal Bias Generator. Decouple to AGNDx using a 0.47 μF capacitor.   |
| 11      | BIASP              | AOUT              | Internal Bias Generator. Decouple to AVDDx using a 0.47 μF capacitor.   |
| 12      | AVDD1              | PWR               | Analog Supply Voltage, 3.3 V. Decouple this supply pin to AGNDx. See Figure 60.   |
| 13      | PLLGND             | PWR               | Analog Ground for PLL. Connect to a ground plane directly on the board.   |
| 14      | PLLFILT            | AIN               | Filter Components Connection for PLL. See Figure 60.  |
| 15      | PLLVDD             | PWR               | Analog Supply for Analog PLL, 3.3 V. Decouple to the PLLGND pin (Pin13) using a 0.1 μF multilayer ceramic capacitor (MLCC). Connect to AVDDx or an external 3.3 V source. It is recommended to add the filter for a clean 3.3 V source and for good PLL performance.              |
| 16      | XIN/MCLKIN         | AIN               | Internal Oscillator Input/Clock Input. If using an external crystal, connect it between the XIN and XOUT pins. If not using a crystal, a single-ended clock must be provided at the MCLKIN pin. The <a href="#">ADAR7251</a> accepts a clock frequency range of 16 MHz to 54 MHz. |
| 17      | XOUT               | AOUT              | Internal Oscillator Output Connection for External Crystal.   |
| 18      | AVDD2              | PWR               | Analog Supply Voltage, 3.3 V. Decouple this supply pin to AGNDx. See Figure 60.   |
| 19      | REGOUT_DIGITAL     | PWR               | LDO Regulator Output for Internal Digital Core (1.8 V, Typical). Decouple to DGNDx. See Figure 60. Connect REGOUT_DIGITAL to the DVDDx pins if using the internal regulator to supply the 1.8 V to the digital core.  |
| 20      | DGND1 <sup>3</sup> | PWR               | Digital Ground. This pin is the ground reference point for the digital circuitry on the <a href="#">ADAR7251</a> .  |

| Pin No. | Mnemonic             | Type <sup>1</sup> | Description   |
|---------|----------------------|-------------------|---|
| 21      | DVDD1                | PWR               | Digital Core Power Supply Input. Connect decoupling capacitors between the DVDDx and DGNDx pins. See Figure 60. The voltage on this pin is 1.8 V. This pin can be connected to REGOUT_DIGITAL (Pin 19), or to the external 1.8 V source if the internal LDO is not used.  |
| 22      | DATA_READY           | DOUT              | ADC Conversion Data Ready Output. Connect to the DSP general-purpose input/output (GPIO) in the system.   |
| 23      | DGND2 <sup>3</sup>   | PWR               | Digital Ground. This pin is the ground reference point for digital circuitry on the <a href="#">ADAR7251</a> .  |
| 24      | DVDD2                | PWR               | Digital Core Power Supply Input. Connect decoupling capacitors between the DVDDx and DGNDx pins. See Figure 60. The voltage on this pin is 1.8 V. This pin can be connected to REGOUT_DIGITAL (Pin 19), or to the external 1.8 V source if the internal LDO is not used.  |
| 25      | IOVDD1               | PWR               | Logic Power Supply Input. The voltage supplied at this pin determines at what voltage the interface operates. Connect decoupling capacitors between the IOVDDx and DGNDx pins. See Figure 60.   |
| 26      | ADC_DOUT0            | DOUT              | ADC Data Output (Serial Mode) or ADC Data Output Bit 0 and Bit 8 (PPI Mode). Refer to the ADC Serial Mode and ADC PPI (Byte Wide Mode) sections for function information.   |
| 27      | ADC_DOUT1            | DOUT              | ADC Data Output (Serial Mode) or ADC Data Output Bit 1/9 (PPI Mode). Refer to the ADC Serial Mode and ADC PPI (Byte Wide Mode) sections for function information.   |
| 28      | ADC_DOUT2/GPIO1      | DOUT              | ADC Data Output Bit 2 and Bit 10 (PPI Mode)/General-Purpose Input/Output 1. Refer to the ADC Serial Mode section for function information.  |
| 29      | ADC_DOUT3/GPIO2      | DOUT              | ADC Data Output Bit 3 and Bit 11 (PPI Mode)/General-Purpose Input/Output 2. Refer to the ADC PPI (Byte Wide Mode) section for function information.   |
| 30      | ADC_DOUT4            | DIO               | ADC Data Output Bit 4 and Bit 12 (PPI Mode). Refer to the ADC PPI (Byte Wide Mode) section for function information.  |
| 31      | ADC_DOUT5            | DIO               | ADC Data Output Bit 5 and Bit 13 (PPI Mode). Refer to the ADC PPI (Byte Wide Mode) section for function information.  |
| 32      | ADDR15/<br>ADC_DOUT6 | DIO               | Device Address Setting for the SPI Control Interface/ADC Data Output Bit 6 and Bit 14 in PPI mode. This pin sets Bit 1 of the SPI device address. Connect to either DGNDx or IOVDDx as desired using a 10 kΩ pull-down or pull-up resistor. Refer to the ADC PPI (Byte Wide Mode) section for function information. |
| 33      | FS_ADC/<br>ADC_DOUT7 | DIO               | Active Low Frame Synchronization Signal for Default ADC Data (Serial Mode)/ADC Data Output Bit 7 and Bit 15 (PPI Mode). Refer to the ADC PPI (Byte Wide Mode) section for function information.   |
| 34      | SCLK_ADC             | DIO               | Serial Bit Clock for the ADC Data Output (Serial Mode and PPI Mode). This pin is an input in slave mode or is an output in master mode.   |
| 35      | CONV_START           | DIN               | ADC Conversion Start in DAQ/PPI/Serial Mode (Active Low). An active low signal initiates an ADC conversion. See the Theory of Operation section for further details.  |
| 36      | DGND3 <sup>3</sup>   | PWR               | Digital Ground. This pin is the ground reference point for digital circuitry on the <a href="#">ADAR7251</a> .  |
| 37      | IOVDD2               | PWR               | Logic Power Supply Input. The voltage supplied at this pin determines at what voltage the interface operates. Connect decoupling capacitors between the IOVDDx and DGNDx pins. See Figure 60.   |
| 38      | SPI_MISO             | DOUT              | SPI Control Interface Slave Data Output.  |
| 39      | SPI_MOSI             | DIN               | SPI Control Interface Slave Data Input.   |
| 40      | SPI_CLK              | DIN               | SPI Control Interface Serial clock Input.   |
| 41      | SPI_SS               | DIN               | SPI Control Interface Slave Select (Active Low Input). Connect an external 10 kΩ pull-up resistor to IOVDDx.  |
| 42      | FAULT                | DOUT              | Digital Output. This pin becomes active under fault condition. Connect an external 10 kΩ pull-up resistor to IOVDDx. This pin can be used as an interrupt input to the microcontroller or DSP in case of faults.  |
| 43      | RESET/PWDN           | DIN               | Active Low Reset Input/Power-Down. The <a href="#">ADAR7251</a> requires an external reset signal to hold the RESET input low until AVDDx is within the specified operating range. When held low, this pin places the <a href="#">ADAR7251</a> into power-down mode.  |
| 44      | AIN1P                | AIN               | Noninverting Input to Differential Analog Channel 1.  |
| 45      | AIN1N                | AIN               | Inverting Input to Differential Analog Channel 1.   |
| 46      | AIN2P                | AIN               | Noninverting Input to Differential Analog Channel 2.  |
| 47      | AIN2N                | AIN               | Inverting Input to Differential Analog Channel 2.   |
| 48      | AVDD3                | PWR               | Analog Supply Voltage. Decouple this supply pin to AGNDx.   |

<sup>1</sup> PWR is power supply or ground pin, AIN is analog input, AIO is analog input/output, AOUT is analog output, DIN is digital input, DOUT is digital output, and DIO is digital input/output.

<sup>2</sup> All the AGNDx pins (AGND1 and AGND2) are shorted internally and recommended to be connected to a single ground plane on the board. Refer to the PCB Layout Guidelines section for details.

<sup>3</sup> All the DGNDx pins (DGND1, DGND2, and DGND3) are shorted internally and recommended to be connected to a single ground plane on the board. Refer to the PCB Layout Guidelines section for details.

TYPICAL PERFORMANCE CHARACTERISTICS

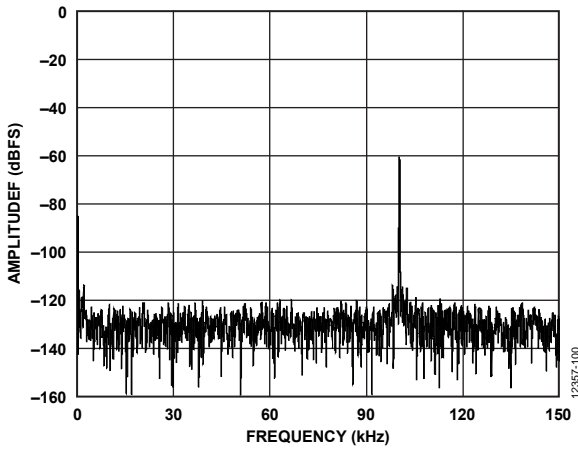


Figure 8. FFT with -60 dBFS, 100 kHz Input at  $f_s = 300$  kHz

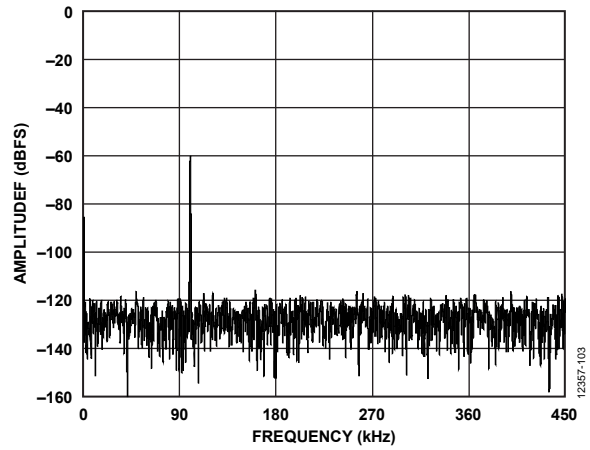


Figure 11. FFT with -60 dBFS, 100 kHz Input at  $f_s = 900$  kHz

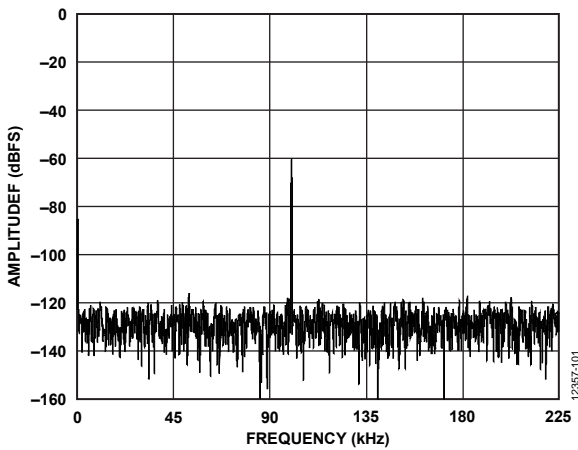


Figure 9. FFT with -60 dBFS, 100 kHz Input at  $f_s = 450$  kHz

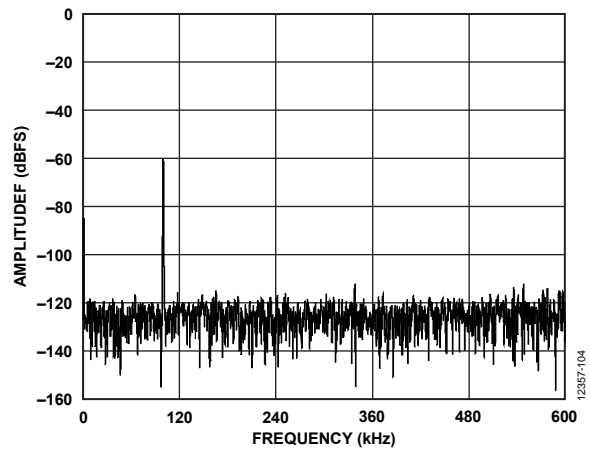


Figure 12. FFT with -60 dBFS, 100 kHz Input at  $f_s = 1.2$  MHz

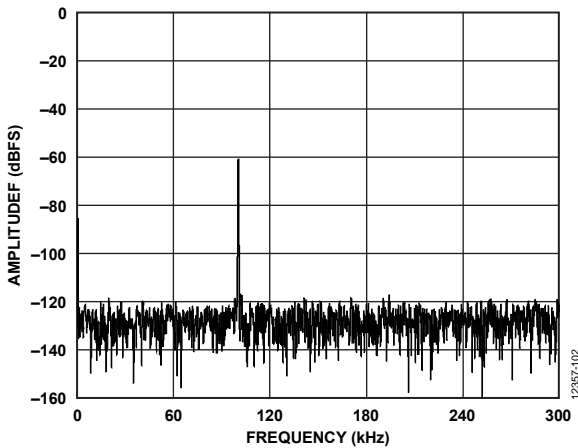


Figure 10. FFT with -60 dBFS, 100 kHz Input at  $f_s = 600$  kHz

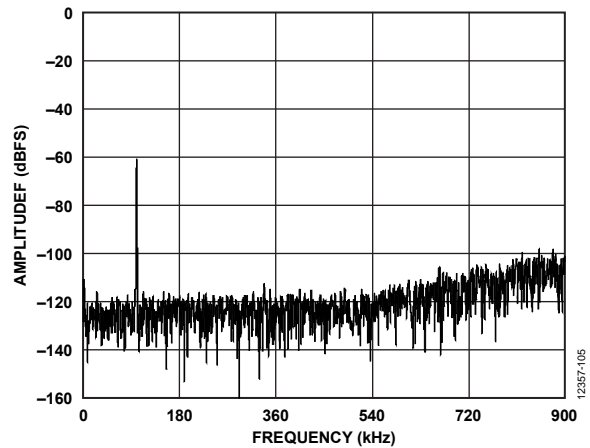


Figure 13. FFT with -60 dBFS, 100 kHz Input at  $f_s = 1.8$  MHz

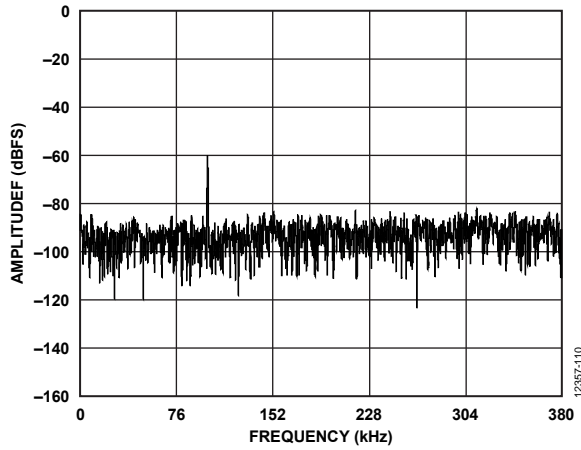


Figure 14. FFT with -60 dBFS, 100 kHz Input, DAQ16, at  $f_s = 758$  kHz

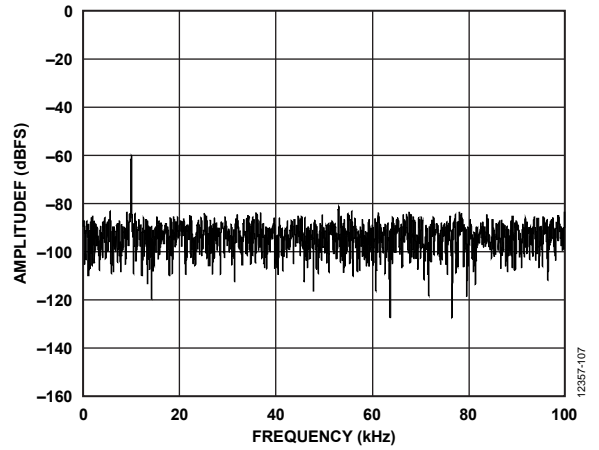


Figure 17. FFT with -60 dBFS, 10 kHz Input, DAQ16, at  $f_s = 200$  kHz

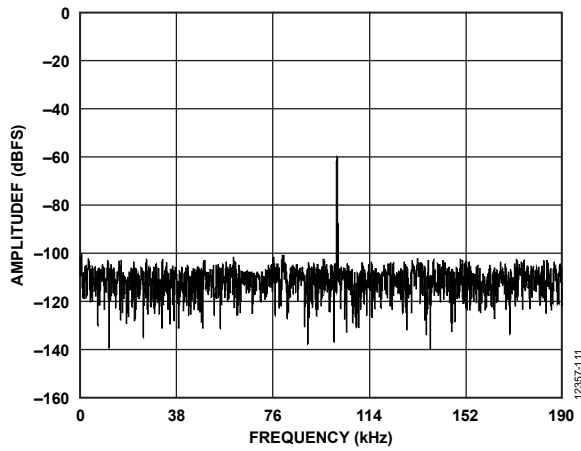


Figure 15. FFT with -60 dBFS, 100 kHz Input, DAQ24, at  $f_s = 380$  kHz

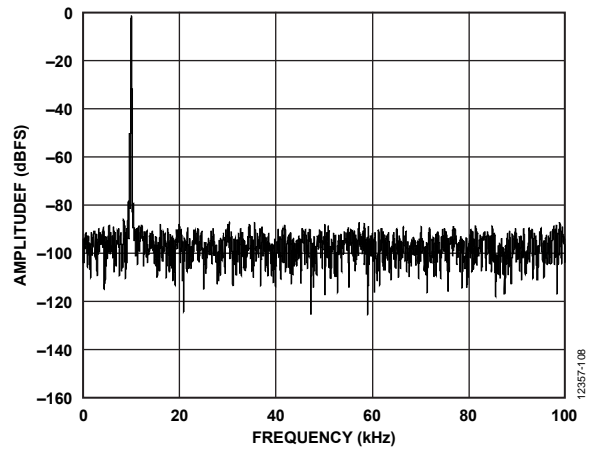


Figure 18. FFT with -1 dBFS, 10 kHz Input, DAQ16, at  $f_s = 200$  kHz

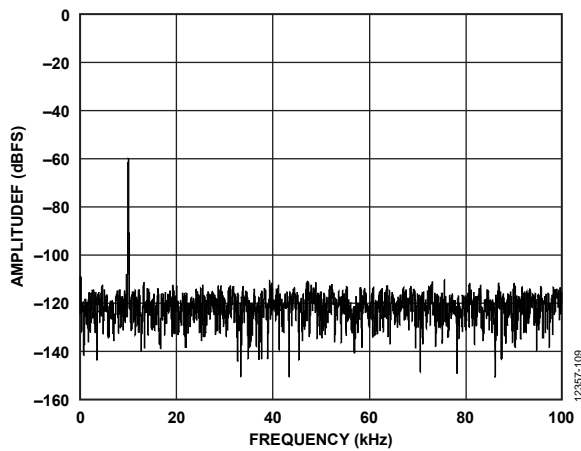


Figure 16. FFT with -60 dBFS, 10 kHz Input, DAQ32, at  $f_s = 200$  kHz

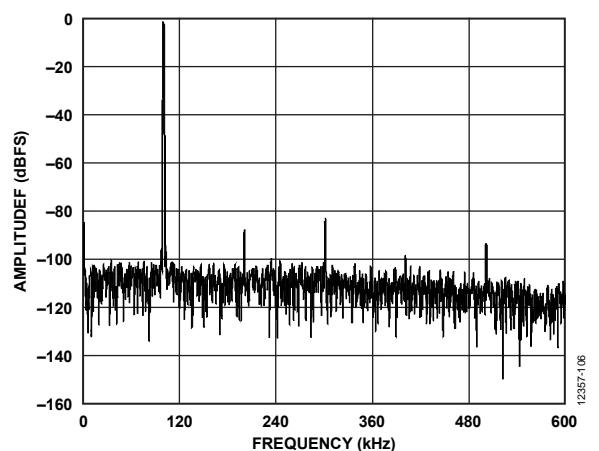


Figure 19. FFT with -1 dBFS, 100 kHz Input, at  $f_s = 1.2$  MHz

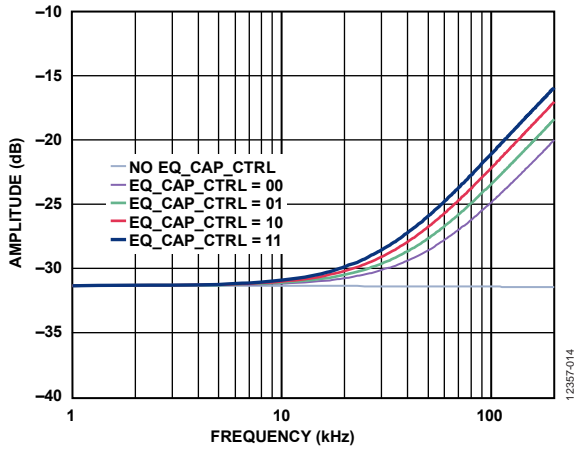


Figure 20. EQ

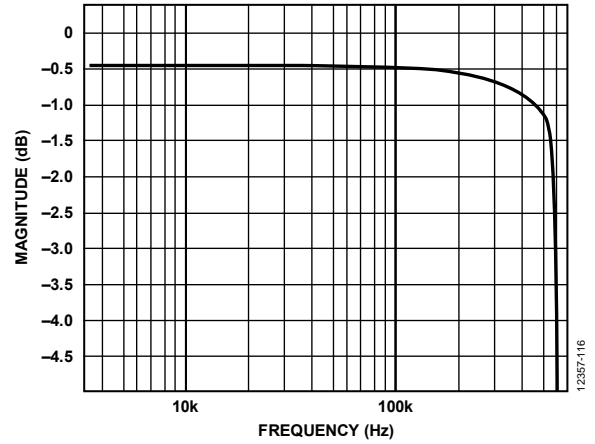


Figure 23. ADC Digital Filter Pass Band at  $f_s = 1.2$  MHz

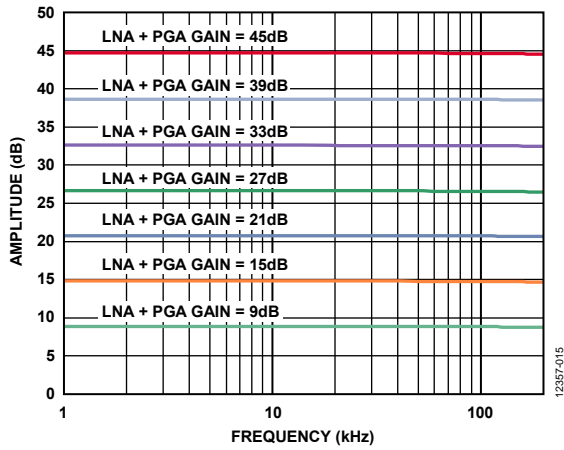


Figure 21. LNA + PGA Gain

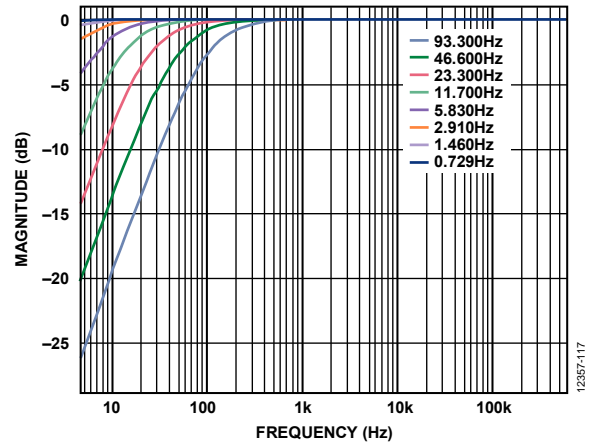


Figure 24. ADC High-Pass Filter Frequency Response

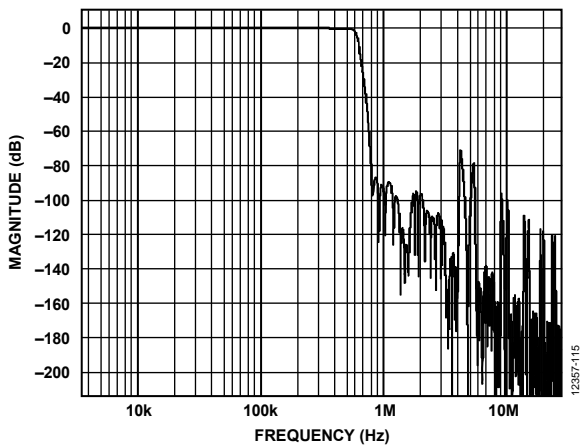


Figure 22. Frequency Response, ADC Digital Filter at  $f_s = 1.2$  MHz



## TERMINOLOGY

### Integral Nonlinearity (INL)

INL is the maximum deviation from a straight line passing through the endpoints of the ADC transfer function. For the [ADAR7251](#), the endpoints of the transfer function are zero scale, a point ½ LSB below the first code transition, and full scale, a point ½ LSB above the last code transition.

### Differential Nonlinearity (DNL)

DNL is the difference between the measured and the ideal 1 LSB change between any two adjacent codes in the ADC.

### Offset Error

Offset error is the deviation of the first code transition (00...000) to (00...001) from the ideal (such as ground + 0.5 LSB).

### Gain Error

For the [ADAR7251](#), gain error is the deviation of the last code transition (111...110) to (111...111) from the ideal (such as  $V_{REF} - 1.5$  LSB) after the offset error is adjusted out.

### Signal-to-Noise Ratio (SNR)

SNR is the ratio of the rms value of the actual input signal to the rms sum of all other spectral components below the Nyquist frequency, excluding harmonics and dc. The value for SNR is expressed in decibels (dB).

### Total Harmonic Distortion (THD)

THD is the ratio of the rms sum of harmonics to the fundamental. For the [ADAR7251](#), THD is defined as

$$THD \text{ (dB)} = 20 \log \frac{\sqrt{V_2^2 + V_3^2 + V_4^2 + V_5^2 + V_6^2}}{V_1}$$

where:

$V_1$  is the rms amplitude of the fundamental.

$V_2, V_3, V_4, V_5,$  and  $V_6$  are the rms amplitudes of the second through the sixth harmonics.

### Dynamic Range (DNR)

THD + N is measured in dB with an input level of –60 dBFS (–60 dB relative to the full-scale input). Then, 60 dB is added to the measured THD + N value and is expressed in decibels. For example, when measuring 36 dB THD + N with a –60 dBFS input, DNR is 60 + 36 = 96 dB.

### Peak Harmonic or Spurious Noise

Peak harmonic or spurious noise is defined as the ratio of the rms value of the next largest component in the ADC output spectrum (up to  $f_s/2$  and excluding dc) to the rms value of the fundamental. Normally, the value of this specification is determined by the largest harmonic in the spectrum, but for ADCs where the harmonics are buried in the noise floor, it is a noise peak.

## THEORY OF OPERATION

### LOW SPEED RAMP RADAR ANALOG FRONT END

The most common application for the ADAR7251 is low speed ramp, frequency modulated, continuous wave, or frequency shift keying radar (LSR-FMCW or FSK-FMCW). Figure 28 shows a typical block diagram of an LSR/FSK radar system for a 4-channel application. The signal chain may require up to eight channels, each including an LNA, a PGA, and a  $\Sigma$ - $\Delta$  ADC. All input channels on the ADAR7251 sample the input signals simultaneously. The ADAR7251 also delivers secondary features required by an LSR radar system: a 2-channel, auxiliary 8-bit ADC and two GPIOs.

### MAIN CHANNEL OVERVIEW

The ADAR7251 features an on-chip, fully differential LNA and PGA to feed the  $\Sigma$ - $\Delta$  input pins, as well as a digital filter block to perform the required filtering on the  $\Sigma$ - $\Delta$  modulator output. Using this  $\Sigma$ - $\Delta$  conversion technique with added digital filtering, the analog input converts to an equivalent digital word. The ADAR7251 uses an internal 1.5 V reference voltage.

### $\Sigma$ - $\Delta$ MODULATION AND DIGITAL FILTERING

The input waveform applied to the modulator is sampled, and an equivalent digital word is output to the digital filter at a rate equal to the modulator clock. The modulator is clocked by  $48 \times f_s$  (57.6 MHz clock signal,  $f_{CLK}$ , for  $f_s = 1.2$  MHz). By employing oversampling, the quantization noise spreads across a wide bandwidth (see Figure 25). This means that the noise energy contained in the bandwidth of interest is reduced. To further reduce the quantization noise, a third-order modulator is employed to shape the noise spectrum so that most of the noise energy is shifted out of the signal band (see Figure 26).

The digital filtering that follows the modulator removes the large out-of-band quantization noise (see Figure 27) while also reducing the data rate at the input of the filter to 1.2 MHz or less at the output of the filter, depending on the decimation rate used.

The total channel noise of the ADAR7251 depends on the bandwidth specification and the selected analog input range. The data rate at the output of the ADAR7251 can be reduced further to meet specific application requirements. The continuous time modulator removes the need for a high order antialias filter at the input to the ADAR7251. The continuous time  $\Sigma$ - $\Delta$  modulator used within the ADAR7251 has inherent antialiasing due to oversampling. The device uses  $48\times$  oversampling. This relaxes the requirement of filtering required at the input of the ADC. Typically, a single pole passive resistor capacitor (RC) filter is sufficient.

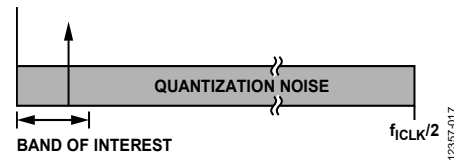


Figure 25.  $\Sigma$ - $\Delta$  ADC, Quantization Noise

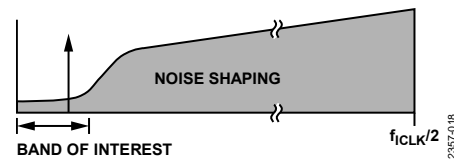


Figure 26.  $\Sigma$ - $\Delta$  ADC, Noise Shaping

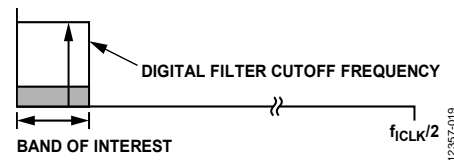


Figure 27.  $\Sigma$ - $\Delta$  ADC, Digital Filter Cutoff Frequency

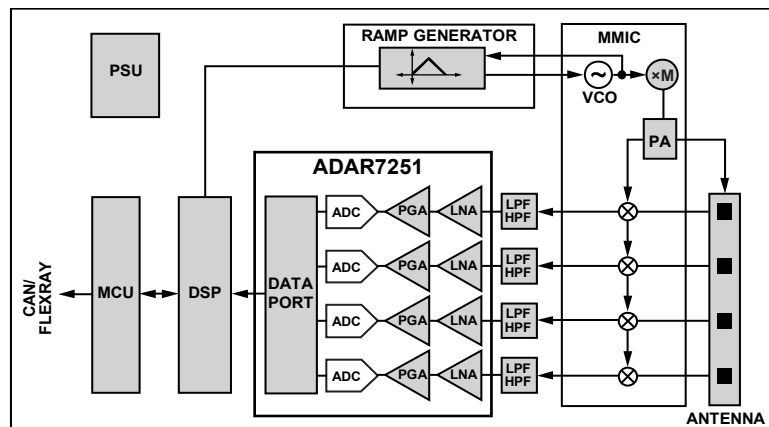


Figure 28. Radar System Overview

## DIFFERENTIAL INPUT CONFIGURATION

The ADAR7251 main ADC input channel consists of an LNA, a PGA, a continuous time  $\Sigma$ - $\Delta$  ADC, and internal bias resistors that set the common-mode voltage on the input of the LNA. The PGA includes an equalizer (EQ) function that gains up low amplitude, high frequency signals. Typically, in an automotive radar application, the analog inputs of the ADAR7251 connect directly to the mixer output (See Figure 29). If additional external filtering is required, the external C1, C2, and C3 capacitors can be used. These capacitors, together with the R1, R2, and the mixer output impedance, create an external filter that removes dc components and high frequency noise from the ADC inputs.

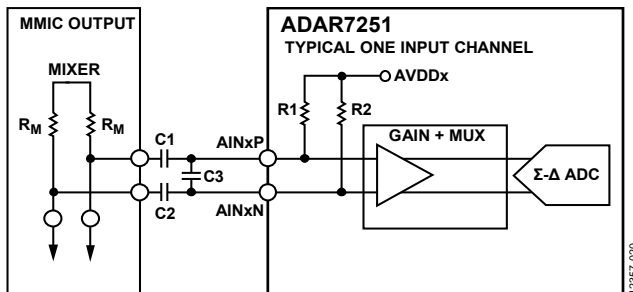


Figure 29. Typical Differential Input Channel Configuration

A monolithic microwave integrated circuit (MMIC) mixer output impedance,  $R_M$ , with Capacitor C3, forms a single-pole, low-pass filter that reduces high frequency spurs from the ADAR7251 inputs. Two capacitors, C1 and C2, with the ADAR7251 internal resistance of R1 and R2, produce a high-pass filter that removes dc components from the input signal.

Each  $\Sigma$ - $\Delta$  ADC input is preceded by its own LNA and PGA gain stage. The variable gain settings ensure that the device is able to amplify signals from a variety of sources. The ADAR7251 offers the flexibility to choose the most appropriate gain setting to utilize the wide dynamic range of the device. The ADAR7251 offers the flexibility to choose the most appropriate gain setting to utilize the wide dynamic range of the device. The LNA stage gain can be set using Register 0x100 in 6 dB steps. The default gain is 6 dB. The PGA gain can be set independently using Register 0x101 and has a default gain of 2.92 dB. The total LNA + PGA gain range is 36 dB. The gain settings, along with the ADAR7251 analog input range and channel noise specifications, are shown in the Specifications section (see Table 1). The default gain with LNA + PGA is 9 dB (2.8 $\times$ ), so that the full-scale differential input signal is 0.7 V rms. However, if a direct path is chosen and LNA + PGA is bypassed, the full-scale input signal to the ADC is 2 V rms differential.

### High-Pass Filter (HPF)

The external input coupling capacitors form the passive first order, high-pass filter with the input impedance of the ADAR7251. This filter can also be used as a passive equalizer to boost the high frequency if desired. The corner frequency can be set to the desired frequency using the equation

$$f_{3dB} = 1/(2 \times \pi \times R1 \times C1)$$

where  $R1 = R2$  (typical) is 2.86 k $\Omega$  and  $C2 = C1$  (see Figure 29).

### Low-Pass Filter (LPF)

The low-pass filter is formed by adding the capacitor across the differential input pins. The value of the source resistance driving the ADC dictates the corner frequency of the filter. Use the following equation to set the corner frequency to the desired frequency:

$$f_{3dB} = 1/(4 \times \pi \times R_M \times C3)$$

where  $R_M$  (typical) is the source resistance of the MMIC output.

### Input Routing

Figure 30 shows the typical 2-channel input block with multiplexers and input signal routing inside the ADAR7251. For simplicity, the connections in Figure 30 are shown as single-ended, although they are differential.

The input signal can be routed through LNA + PGA, LNA + PGA + EQ, or direct to the ADC. Register 0x102 is used to select the multiplexer at the input of the ADC. The inputs to the ADC can be swapped between adjacent channels, for example, Channel 1 can be sent to ADC2 and the Channel 2 input can be sent to ADC1. In addition, the auxiliary Input 1 and Input 2 can be sent directly to the ADC. In this case, AUXIN1 becomes a noninverting input, and AUXIN2 becomes an inverting input to form a differential pair. The default path is LNA + PGA + ADC.

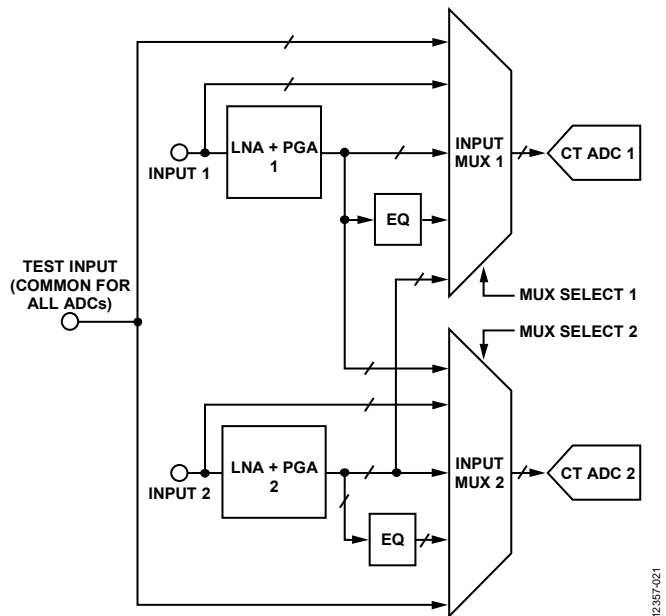


Figure 30. Typical 2-Channel Input Block

### EQUALIZER (EQ)

The output of LNA + PGA can be routed to an equalizer block. In LSR-FMCW radar systems, the distance between the radar and the object affects signal amplitude and frequency. Distant objects have a higher frequency and smaller amplitude. The EQ provides frequency dependent gain to boost these signals. This provides easier detection of distant objects in a system. Excellent noise performance relies on an ultralow noise LNA at the beginning of the signal chain and a high precision ADC architecture. Enable the EQ path in Register 0x102. The EQ is a first order, high-pass

type. The cutoff frequency can be either 32 kHz (default), 37 kHz, 45 kHz, or 54 kHz. Select the EQ cutoff frequency in EQ\_CAP\_CTRL, Bits[1:0] in Register 0x301 (see Figure 20 in the Typical Performance Characteristics section).

**USING LNA/PGA, EQ, OR THE INPUT CAPACITOR**

The input passive filter, along with LNA + PGA and EQ, can be used to achieve the desired frequency response in the system. See Figure 31, Figure 32, and Figure 33 for typical examples.

Figure 31 shows the frequency response plot by varying the input coupling capacitor value, with the LNA + PGA gain and EQ fixed.

Figure 32 shows the frequency response plot by varying the LNA + PGA gain, with the input coupling capacitor and EQ fixed.

Figure 33 shows the frequency response plot by varying the EQ setting, with the input coupling capacitor and LNA + PGA gain fixed.

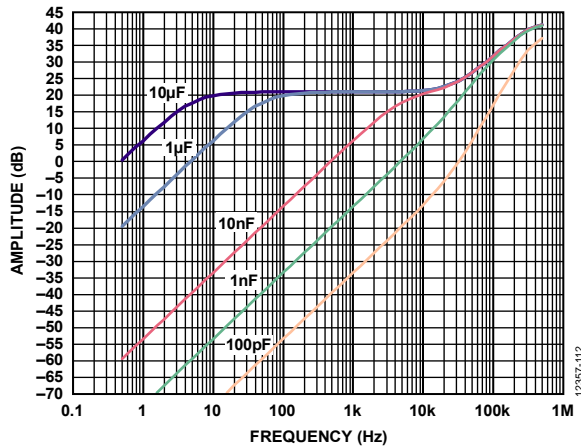


Figure 31. Frequency Response, Coupling Capacitor Change

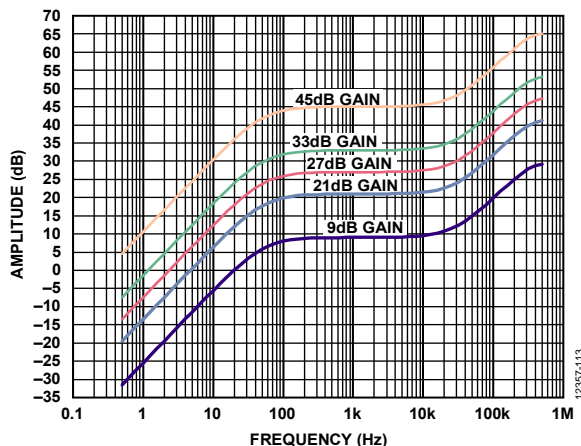


Figure 32. Frequency Response, Coupling Gain Change

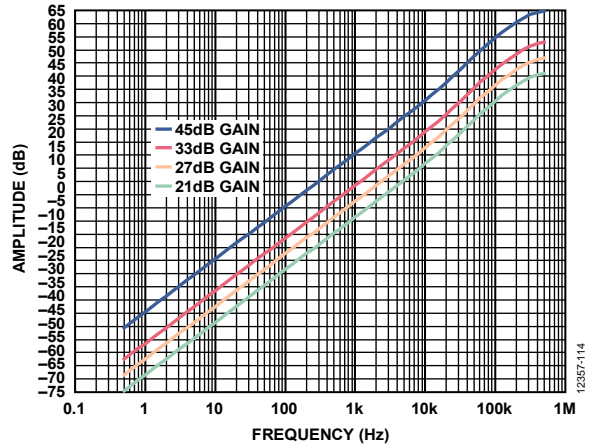


Figure 33. Frequency Response, Coupling EQ Change

**REFERENCE**

The internal reference of the ADAR7251 is set to 1.5 V. This 1.5 V reference is available at the CM pin. Decouple the CM pin to the AGNDx pin using a 10 µF MLCC in parallel with a 100 nF MLCC. The 1.5 V reference is current-limited and not designed to drive an external load. Employ an external buffer circuit if this reference is required for use with external circuits. The internal reference voltage can be overdriven externally if required.

**AUXILIARY ADC**

The ADAR7251 includes a 2-channel, auxiliary successive approximation register (SAR) ADC for low frequency housekeeping functions in the system. These functions include dc voltage monitoring and temperature monitoring. The auxiliary ADC uses AVDDx as the power supply; therefore, the input range is limited from 0 V to AVDDx. The ADC uses a time multiplexing technique to sample the two auxiliary inputs. The multiplexer in the front of the ADC selects the input for the conversion. The sample rate of the ADC is selectable between 112.5 kHz and 450 kHz. The default sample rate is 112.5 kHz. When 2-channel operation is selected, the set sample rate is the effective sample rate. If only one channel is selected, the effective sample rate is double the set value. The resolution of the ADC is eight bits, and the ADC output is straight binary. The ADC output is stored in the internal registers, which are read via the SPI port. Register 0x200 stores the current conversion value for Input 1 and Input 2. In addition, Register 0x201 stores the last sample value.

The ADC sample rate can be selected using Register 0x210, and Register 0x211 is used for selecting the input to the ADC. By default, the AUXINx pins are sampled. If the AUX\_ADC\_MODE bit (Bit 0 of Register 0x211) is set to 1, only one input is sampled at twice the sample rate. Because the auxiliary ADC is not continuous, care must be taken to ensure that the input signals are band limited and time multiplexed to prevent aliases.

The auxiliary ADC inputs are switched capacitor type; therefore, the input impedance is capacitive during the sampling phase. The typical source impedance must be less than 1 kΩ to ensure that the input settles before the sample value is held internally. The

source driving the ADC inputs must be able to drive at least 20 pF, excluding the parasitic capacitance on the board.

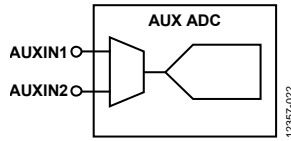


Figure 34. Auxiliary ADC

## POWER SUPPLY

The ADAR7251 uses three supplies: 3.3 V for AVDDx, 1.8 V for DVDDx, and 3.3 V for IOVDDx. AVDDx and IOVDDx must be supplied to the device, but the supply to the DVDDx pins can be either generated by an internal LDO, or provided externally by turning off the LDO.

The AVDDx pins supply the analog core of the ADC, and the DVDDx pins supply the digital core of the ADC. The IOVDDx pins supply the digital input/output pins of the ADAR7251.

Decouple all power supplies to ground with a 0.1  $\mu$ F and a 10  $\mu$ F X7R MLCC for best ADC performance. The device provides the exposed pad underneath, which must be connected to the ground plane with thermal vias. All the ground pins must be connected to the single ground plane on the PCB with the shortest possible path close to the respective pins.

## LDO

The internal LDO generates the DVDDx voltage (1.8 V) required for the digital core. The LDO takes the AVDDx (3.3 V) supply and regulates down to 1.8 V. External decoupling capacitors are required to ensure clean power to the digital core. If using the internal 1.8 V supply for the digital core, the REGOUT\_DIGITAL pin must be externally connected to the DVDDx pins. The 1 nF MLCC, in parallel with 0.1  $\mu$ F and 10  $\mu$ F capacitors, are recommended at the DVDDx pins to decouple the high frequency noise.

## CLOCK REQUIREMENTS

To achieve the specified dynamic performance, use an external crystal at the XIN/MCLKIN and XOUT pins. Alternatively, provide the single-ended clock at the MCLKIN input via an MCU/DSP controller. The ADAR7251 features an internal PLL block that accepts the clock frequency in a range of 16 MHz to 54 MHz, via either the clock available in the system, or an external crystal. An external clock must be connected to the XIN/MCLKIN pin and must be within the 0 V to 3.3 V p-p.

## CRYSTAL OSCILLATOR

The external quartz crystal can be connected across the XIN and XOUT pins. When using the crystal, use Register 0x292 to enable the crystal oscillator block. The output of the crystal oscillator is an input to the PLL. The typical supported frequency range is 16 MHz to 54 MHz. Select load capacitors C1 and C2 for the crystal based on the recommendation of the crystal manufacturer. Determine the value of R1 based on the crystal current rating.

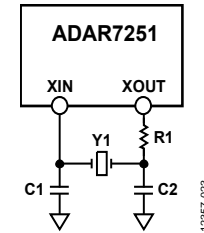


Figure 35. Crystal Oscillator

## PLL

The PLL provides the stable clock for the internal blocks. It uses the clock input at the XIN/MCLKIN pin as a reference to generate the core clock. Set the PLL for either integer or fractional mode. The PLL multipliers and dividers (X, R, M, and N) are programmed using Register 0x000 to Register 0x003. The PLL can accept input frequencies in the range of 16 MHz to 54 MHz, either directly from an external source, or using the crystal connected at the XIN/MCLKIN and XOUT pins. The PLL output frequency is fixed at 115.2 MHz.

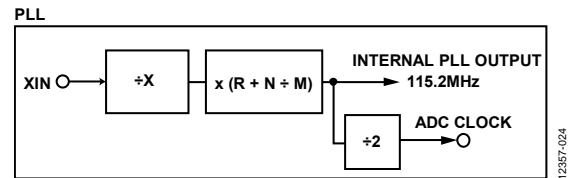


Figure 36. PLL Block Diagram

The PLL requires an external loop filter, which is fixed (see Figure 37). For temperature sensitive applications, the loop filter components must be appropriate. The PLL loop filter capacitors must be NPO type for best temperature performance.

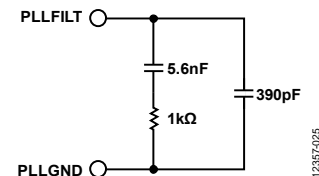


Figure 37. PLL Loop Filter

Place the PLL loop filter close to the PLLFILT pin to prevent crosstalk from other sources on the board. In addition, take care to decouple the PLLVDD supply to the PLL. It is recommended that X7R MLCC or better dielectric MLCCs of 1 nF be added in parallel with 0.1  $\mu$ F and 10  $\mu$ F capacitors close to the PLLVDD pin. See the PCB Layout Guidelines section for details.

Table 10 describes the registers used to set the PLL.

**Table 10. Registers Used to Set the PLL**

| Register | Name     | Description  |
|----------|----------|--|
| 0x000    | CLK_CTRL | Uses the PLL output for the internal master clock, or bypasses the PLL                     |
| 0x001    | PLL_DEN  | Sets the 16-bit denominator of the fractional part (M)                                     |
| 0x002    | PLL_NUM  | Sets the 16-bit numerator of the fractional part (N)                                       |
| 0x003    | PLL_CTRL | Sets the PLL mode, PLL enable, 4-bit integer multiplier (R), and 4-bit integer divider (X) |
| 0x005    | PLL_LOCK | Checks the PLL lock status   |

The PLL can be used in either integer mode or fractional mode.

### Integer Mode

Use integer mode when the input clock frequency is an integer multiple of the PLL output frequency, governed by the following equation:

$$f_{PLL} = (R/X) \times f_{IN}$$

where  $f_{PLL} = 115.2$  MHz.

For example, if  $f_{IN} = 19.2$  MHz, then

$$(R/X) = f_{PLL} (PLL \text{ Required Output}) / f_{IN} = 6$$

Therefore, R and X are set as follows: R = 6, and X = 1 (default).

To route the clock through the PLL, first set Register 0x000 to 0x0001.

In integer mode, the values set for N and M are ignored; leave Register 0x001 and Register 0x002 at default.

Table 11 shows the name, function, and required settings for the bits in Register 0x003.

**Table 11. Required Writes for Register 0x0003, Integer Mode**

| Bits    | Name               | Function                          | Required Setting |
|---------|--------------------|-----------------------------------|------------------|
| [15:11] | PLL_INTEGER_DIV    | Sets the R value                  | 00110            |
| [7:4]   | PLL_INPUT_PRESCALE | Sets the X value                  | 0001             |
| 1       | PLL_TYPE           | Sets the integer mode for the PLL | 0                |
| 0       | PLL_EN             | Enables the PLL                   | 1                |

Set Register 0x003 to 0011000000000001, that is, 0x3011. To check the status of the PLL, read Register 0x0005.

### Fractional Mode

Fractional mode is used when the available clock input at XIN/MCLKIN is a fractional multiple of the desired PLL output; it is governed by the following equation:

$$f_{PLL} = f_{IN} \times (R + (N/M))/X$$

For example, if XIN/MCLKIN = 16 MHz, the PLL output is 115.2 MHz.

To find the values of R, N, and M, use the following equation:

$$f_{PLL} = f_{IN} \times (R + (N/M))/X$$

where:

$$f_{PLL} = 115.2 \text{ MHz.}$$

$$f_{IN} = 16 \text{ MHz.}$$

To find the values of R, N, M, and X, use the following equation:

$$(R + (N/M))/X = 115.2 \text{ MHz} / 16 \text{ MHz} = 7.2 = 7 + (2/10)$$

Therefore, R, X, N and M can be set as follows: R = 7, X = 1 (default), N = 2, and M = 10.

To route the clock through the PLL, first set Register 0x000 to 0x0001. See Table 12 for the required register settings while in fractional mode.

Set Register 0x003 to 0011100000000001, that is, 0x3813. To check the status of the PLL, read Register 0x0005.

### PLL Lock Acquisition

Register 0x005 is a read only register that indicates the PLL status. After writing the PLL settings, it is recommended to read the PLL lock status bit to ensure that the PLL is locked. A PLL\_LOCK bit value of 1 indicates that the PLL is locked.

**Table 12. Required Register Writes for Fractional Mode**

| Register | Bits    | Name               | Function                             | Required Setting                   |
|----------|---------|--------------------|--------------------------------------|------------------------------------|
| 0x0001   | [15:0]  | PLL_DEN            | Sets the M value                     | 0000000000001010 (that is, 0x000A) |
| 0x0002   | [15:0]  | PLL_NUM            | Sets the N value                     | 0000000000000010 (that is, 0x0002) |
| 0x0003   | [15:11] | PLL_INTEGER_DIV    | Sets the R value                     | 00111                              |
|          | [7:4]   | PLL_INPUT_PRESCALE | Sets the X value                     | 0001                               |
|          | 1       | PLL_TYPE           | Sets the fractional mode for the PLL | 1                                  |
|          | 0       | PLL_EN             | Enables the PLL                      | 1                                  |



## GPIO

The ADAR7251 contains two GPIOs: Pin 28 and Pin 29. These pins are dual function. They serve as ADC data output pins in PPI mode, or as GPIOs in serial mode. These pins can be configured as inputs or outputs, and are read back or programmed via the SPI control interface. Register 0x250 and Register 0x251 are used for setting GPIO1 and GPIO2, respectively. Typical applications for these pins include monitoring the status of logic signals or controlling external devices. Use the GPIO pins for low speed serial communication. Configure the GPIO pins by writing to the GPIO configuration registers, Register 0x250 and Register 0x251. Note that, in these registers, the GPIO pins are referred to as the multipurpose (MPx) pins. Each GPIO pin has associated bits in the GPIO configuration register that define a status of the pin and whether the GPIO is used as an input or an output, as well as the debounce period. Register 0x260 and Register 0x261 can be used to output 1 or 0 to GPIO1 and GPIO2, respectively. Register 0x270 and Register 0x271 provide the read value from GPIO1 and GPIO2, respectively.

## ADC DATA PORT

The ADAR7251 digital interface port provides multiple options for accessing the ADC data and connecting to DSP or micro-controllers in the system. The digital interface port can be set as serial mode or parallel mode.

Note that, throughout the remainder of the data sheet, multifunction pins are referred to by the relevant function in text and figures, where applicable.

### ADC Serial Mode

The ADC serial port uses the conversion start pin (CONV\_START), the frame sync pin (FS\_ADC/ADC\_DOUT7), the bit clock pin (SCLK\_ADC), and two data output pins (ADC\_DOUT0 and ADC\_DOUT1). CONV\_START can be disabled if it is not required in the system. The serial port can be set to either master or slave mode. The ADC output data is two's complement, 16-bit binary. Depending on the mode setup, the frame sync and bit clock pin directions change. In master mode, the ADAR7251 generates these signals, whereas in slave mode, these signals are provided by the external DSP. The ADC\_DOUT0 and ADC\_DOUT1 pins are always set as outputs, independent of the master or slave mode. The data format is fixed to MSB first. The serial port is powered using the IOVDDx supply. Take proper care to ensure decoupling of the high frequency noise on this pin to prevent jitter on the clock and data outputs. Connect a 100 nF MLCC is recommended to be connected to the IOVDDx pins as close as possible with direct connection to the DGNDx pins and a ground plane on the board.

Because the bit clock rate is in the 40 MHz range, traces on the board require proper attention. The bit clock and data pin (ADC\_DOUTx) must be traced out with transmission line considerations. If the clock is connected to multiple devices, the stubs must be properly terminated to reduce reflections. Microstrip or stripline traces are recommended for these pins. Increase the

drive strength for the digital output pins using Register 0x0280 through Register 0x292. The ADAR7251 consists of four ADCs. Data is available in two pairs on the ADC\_DOUT0 and ADC\_DOUT1 pins: Channel 1 and Channel 2 on ADC\_DOUT0, and Channel 3 and Channel 4 on ADC\_DOUT1 in 2-channel mode. Each channel uses 16 bits; for two channels, 32-bit clocks are required. The frame sync signal (FS\_ADC) sets the sample rate for the ADC. Therefore, the typical bit clock rate for a sample rate of 1.2 MHz is

$$32 \times 1.2 \text{ MHz} = 38.4 \text{ MHz}$$

### ADC Serial Master Mode

In master mode, the ADC generates the bit clock (SCLK\_ADC) and frame sync (FS\_ADC) signals. The sample rate is restricted to a maximum of 1.2 MHz in serial mode. Two pins are provided for the serial data: ADC\_DOUT0 and ADC\_DOUT1. By default, each pin provides the two channel output. In addition, all four channels can be output from one data pin, ADC\_DOUT0. The bit clock rate depends on the sample rate and the number of channels per data pin used. See Table 13 for available options. Figure 38 shows the typical connections diagram for ADC serial master mode

**Table 13. Bit Clock Rate Options for ADC Serial Mode**

| Number of Channels per ADC_DOUT0/ADC_DOUT1 Pin | FS_ADC (MHz) | SCLK_ADC (MHz)    |
|--|--------------|-------------------|
| 2  | 0.3          | 9.6               |
| 4  | 0.3          | 19.2              |
| 2  | 0.45         | 14.4              |
| 4  | 0.45         | 28.8              |
| 2  | 0.6          | 19.2              |
| 4  | 0.6          | 38.4              |
| 2  | 0.9          | 28.8              |
| 4  | 0.9          | 57.6              |
| 2  | 1.2          | 38.4              |
| 4  | 1.2          | Not applicable    |
| 2  | 1.8          | 57.6 <sup>1</sup> |
| 4  | 1.8          | Not applicable    |

<sup>1</sup> Supported in master mode only.

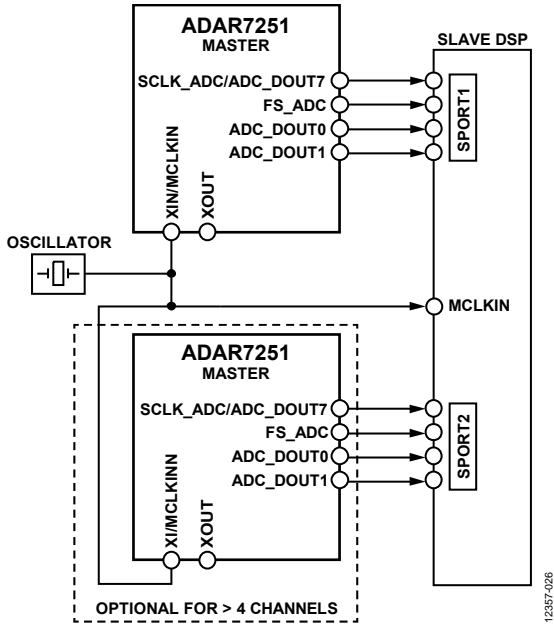


Figure 38. Typical Connection Diagram for ADC Serial Master Mode

Figure 41 and Figure 42 show the waveforms for the serial modes without the CONV\_START signal.

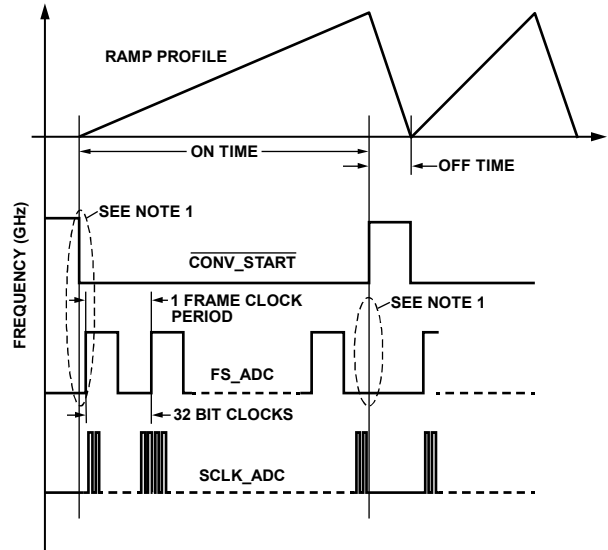
**ADC Serial Master Mode with CONV\_START**

The ADC provides the CONV\_START signal to synchronize the ADC conversion data with an external ramp signal used in a FMCW system. Use the CS\_OVERRIDE bit (Register 0x1C2, Bit 1) to enable or disable the CONV\_START signal. This bit is disabled by default. When the CS\_OVERRIDE bit is enabled with ADC serial master mode, the serial port waits for the CONV\_START signal from the external DSP or MCU in the system. The CONV\_START signal is used to indicate the start of the ramp signal in the system. The CONV\_START signal is active low and needs an external pull-up resistor to IOVDDx. When the CONV\_START signal is high, the ADC remains running internally, but the data and clocks are not output from the serial port. Therefore, there is no data output to the external DSP while this signal is logic high. When the CONV\_START signal goes low, indicating the start of the ramp signal, the serial port starts outputting the clocks and data. The external DSP can grab the data on the ADC serial port based on the frame sync and serial clock. The data is synchronous to the external ramp signal.

The following precautions must be taken into account while using ADC serial master mode with CONV\_START:

- The very first sample data may not be complete and may need to be ignored. This is because the CONV\_START signal is asynchronous to the internal ADC clocks, and may request the data anywhere in the middle of the internal frame sync signal.
- The digital filter sync enable bit in Register 0x30E is used to synchronize the internal digital filter to the serial port clocks. This bit is enabled by default, therefore, the digital filter

attempts to synchronize to the serial port clocks. In serial master mode, this bit must be disabled by writing 0x0000 to Register 0x30E. This is an important step because the digital filter is already synchronized to the internal serial port clocks and does not need to be resynchronized based on the external asynchronous demand of the CONV\_START signal. See Figure 39 for waveforms.



NOTES  
1. IGNORE FIRST AND LAST SAMPLES BECAUSE CONV\_START IS NOT SYNCHRONOUS TO INTERNAL ADC CLOCK.

Figure 39. Typical Timing Waveforms for ADC Serial Master Mode with CONV\_START

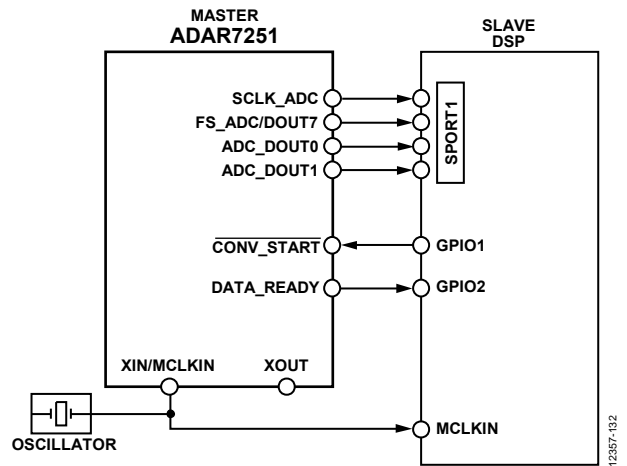


Figure 40. ADC Serial Master Mode with CONV\_START



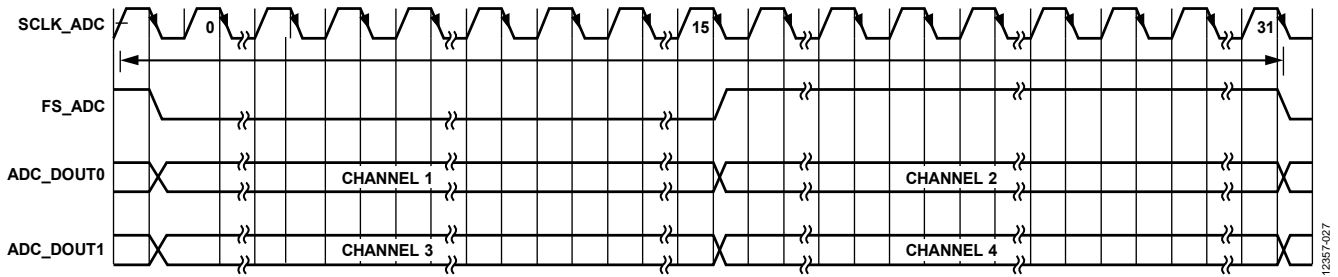


Figure 41. Serial Mode, Two Channels per the ADC\_DOUTx Pins

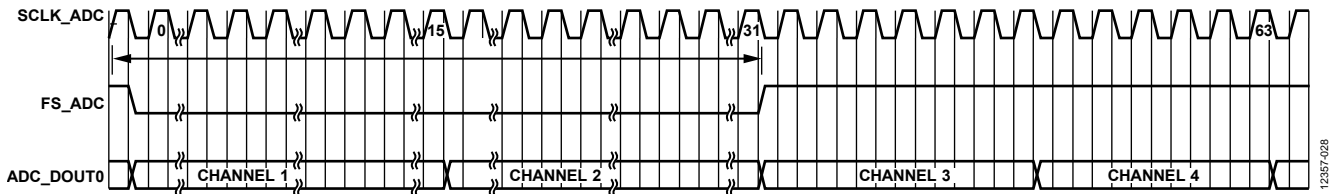
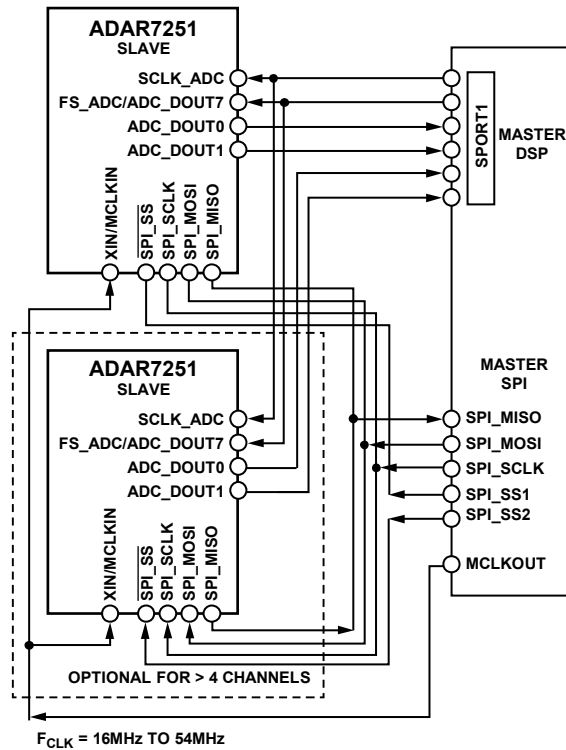


Figure 42. Serial Mode, 4 Channels per the ADC\_DOUTx Pins



F<sub>CLK</sub> = 16MHz TO 54MHz

Figure 43. Typical Connection Diagram for ADC Serial Slave Mode

**ADC Serial Slave**

Figure 43 shows the typical connection diagram for ADC serial slave mode. In this mode, the directions of the frame sync and bit clock pins change. Both pins are inputs and must be provided with bit clock and frame sync signals via an external DSP. The ADC\_DOUT0 and ADC\_DOUT1 pins are always used as outputs. The data format is fixed as MSB first. The ADC must be provided with master clock from the DSP to synchronize the ports.

**ADC PPI (Byte Wide Mode)**

ADC PPI mode is parallel byte wide mode and, in this mode, the device is always master. In this mode, the ADC outputs the bit clock and data. Provide the ADC port with a conversion start

signal (CONV\_START) if selected. This initiates the conversion process. When the ADC is ready with conversion data, it pulls the DATA\_READY pin high to indicate the data ready status to the DSP. The ADC then provides the bit clock, SCLK\_ADC. The data is available on the rising edge of the bit clock. The maximum sample rate supported is 3.6 MHz in this mode. The data is available on the ADC\_DOUT0 through ADC\_DOUT7 pins, one byte at a time. The ADC data is twos complement, 16-bit binary, but the 16-bit data is split into two bytes: a higher byte and a lower byte (each is 8 bits wide). The higher byte is output first, and is followed by the lower byte. The bit clock (SCLK\_ADC) rate depends on the sample rate setting. See Table 14 for available options. Note that in the PPI mode, the FS\_ADC output is not

available. This mode may be useful if the DSP port cannot support the 38.4 MHz data rate. The data rate is less than that of the serial port; however, it uses more pins for data.

**Table 14. Bit Clock Rate Options for ADC PPI Byte Wide Mode**

| Number of Channels | FS_ADC (MHz) | SCLK_ADC (MHz) | Data Output Pins            |
|--------------------|--------------|----------------|-----------------------------|
| 2                  | 1.2          | 4.8            | ADC_DOUT0 through ADC_DOUT7 |
| 4                  | 1.2          | 9.6            | ADC_DOUT0 through ADC_DOUT7 |
| 2                  | 1.8          | 7.2            | ADC_DOUT0 through ADC_DOUT7 |
| 4                  | 1.8          | 14.4           | ADC_DOUT0 through ADC_DOUT7 |

The other sample rates supported are 300 kHz, 600 kHz, 900 kHz, 2.4 MHz, and 3.6 MHz. The highest serial clock supported is 57.6 MHz. However, as the sample rate increases beyond 1.2 MHz, the ADC resolution decreases. At the highest sample rate of 3.6 MHz, the ADC resolution is limited to 11 bits.

Figure 44 shows the typical connections diagram for ADC PPI master mode.

Figure 45 and Figure 46 show waveforms for PPI 2-channel and PPI 4-channel mode.

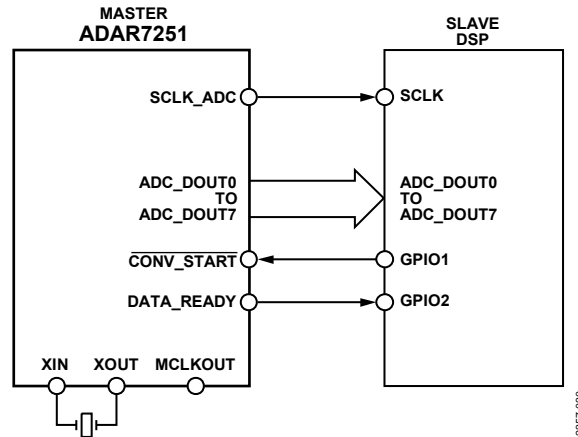


Figure 44. Typical Connection Diagram for ADC PPI Master Mode

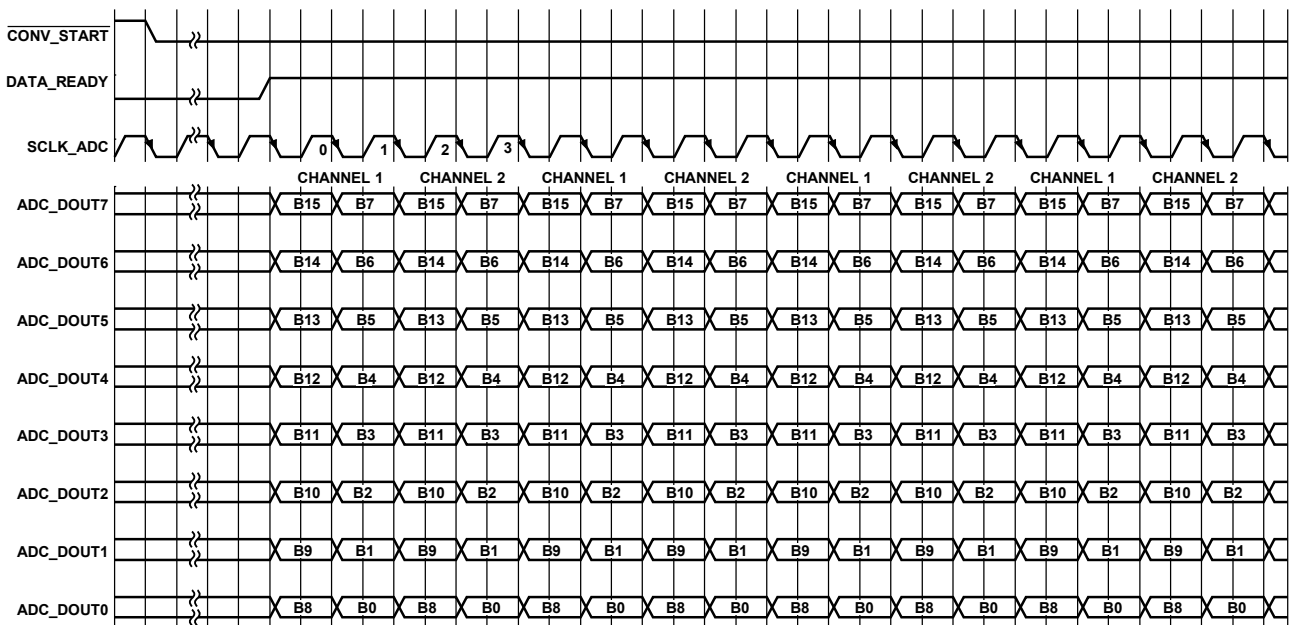


Figure 45. PPI, 2-Channel

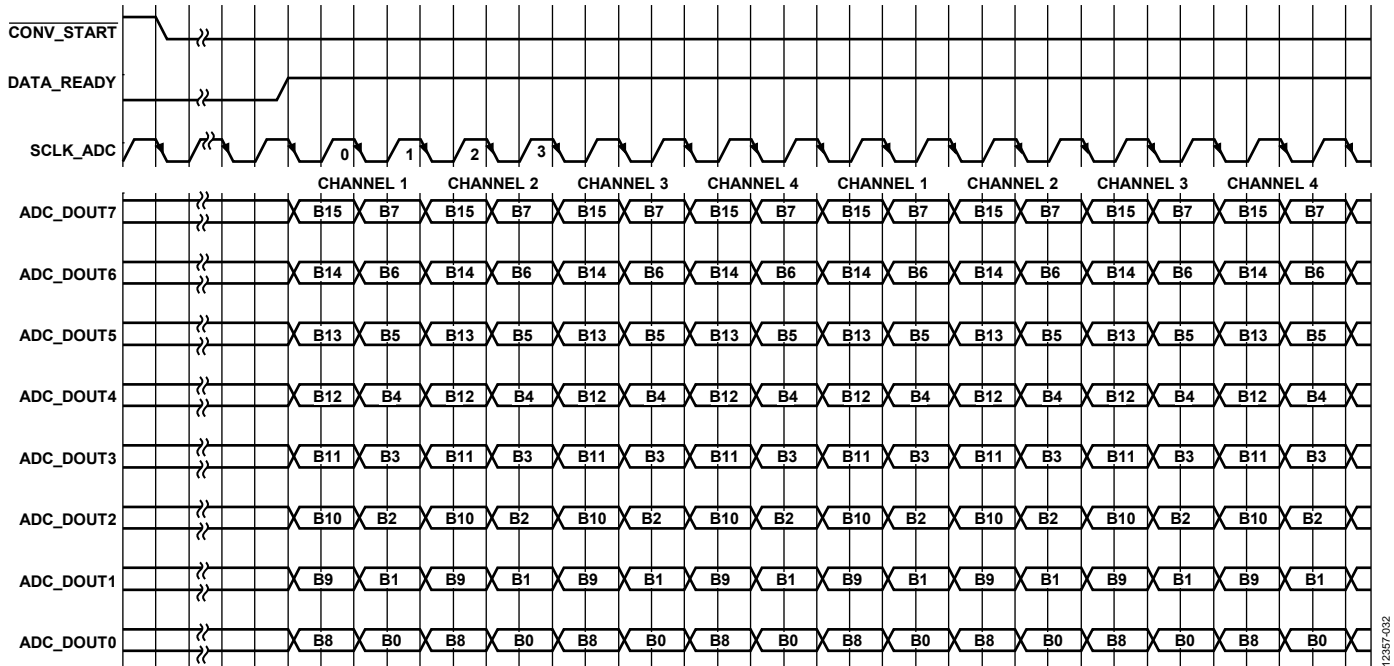


Figure 46. PPI, 4-Channel

Table 15. Bit Clock Rate Options for ADC PPI Nibble Wide Mode

| Number of Channels | FS_ADC (MHz) | SCLK_ADC (MHz) | Data Output Pins            |
|--------------------|--------------|----------------|-----------------------------|
| 2                  | 1.2          | 9.6            | ADC_DOUT0 through ADC_DOUT3 |
| 4                  | 1.2          | 19.2           |                             |
| 2                  | 1.8          | 14.4           |                             |
| 4                  | 1.8          | 28.8           |                             |

**ADC PPI Nibble Wide Mode**

ADC PPI nibble wide mode differs from byte wide mode in that the data is transferred in nibble form (four bits at a time) instead of in byte wide mode (eight bits at a time). In master mode, the ADC outputs the bit clock and data. Provide the ADC port with a conversion start (CONV\_START); this initiates the conversion process. When the ADC is ready with the conversion data, it pulls the DATA\_READY pin high to the DSP. The ADC then provides the bit clock, SCLK\_ADC. The data is available on the rising edge of the bit clock. The maximum sample rate supported is 3.6 MHz in this mode. The data is available on the ADC\_DOUT0 through ADC\_DOUT3 pins, one nibble at a time. The 16-bit data is split into four nibbles each, 4 bits wide. The higher nibble is output first, followed by the lower nibble. The bit clock (SCLK) rate depends on the sample rate setting. See Table 15 for available options. This mode may be useful if the DSP cannot support the 8-bit wide data port. The data rate is twice that of the PPI byte wide mode; however, it saves four pins.

**DAQ Mode**

DAQ mode is designed specifically for FSK radar applications. In this mode, the ADC synchronizes with the FSK clock. Both serial

and PPI modes are supported, but are limited to master mode. The typical connections for the ADC serial master mode (see Figure 48) and PPI master mode(see Figure 44) are valid. In DAQ serial mode, the SCLK\_ADC is fixed at 38.4 MHz, whereas the clock rate is adjustable in PPI mode.

Figure 50 shows the typical operation sequence for the DAQ serial mode with two channels per data line.

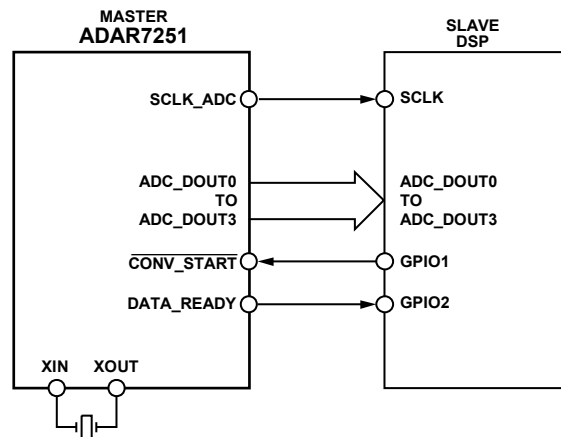


Figure 47. Typical Connection Diagram for PPI Nibble Wide Mode

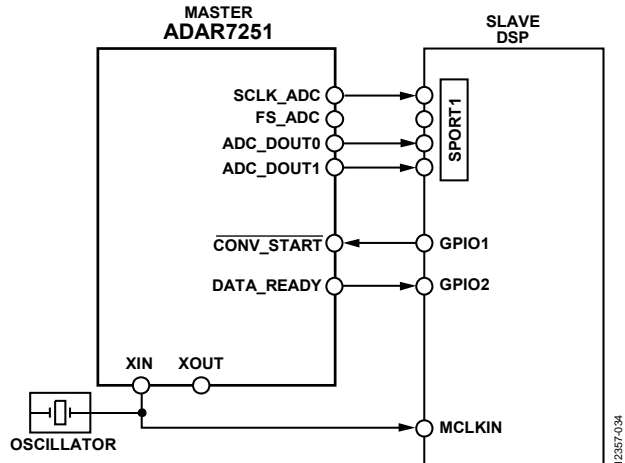


Figure 48. Typical Connection Diagram for DAQ Serial Master Mode

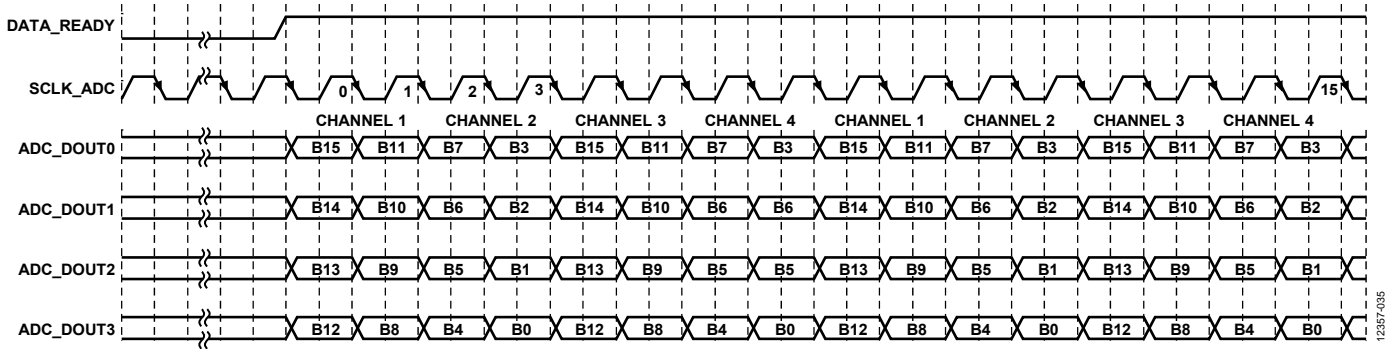


Figure 49. PPI, 4-Channel Nibble Wide Mode

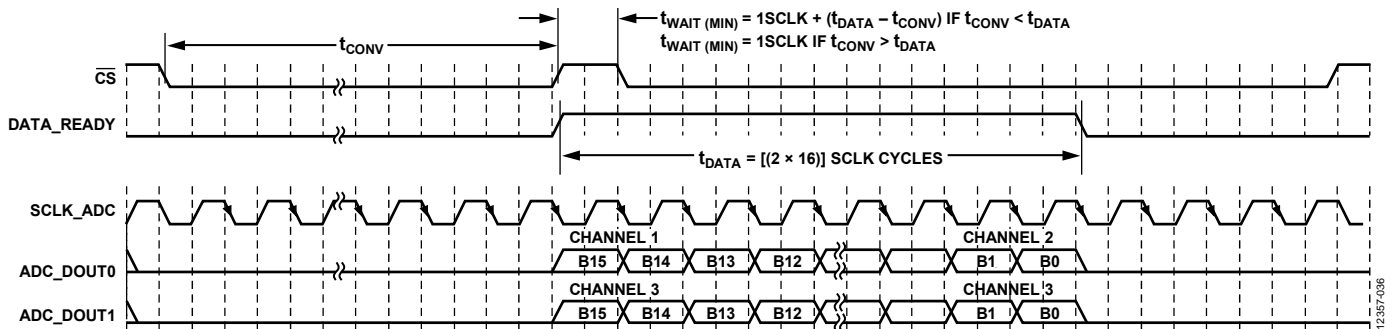


Figure 50. DAQ Serial Master, Two Channels Per Pin

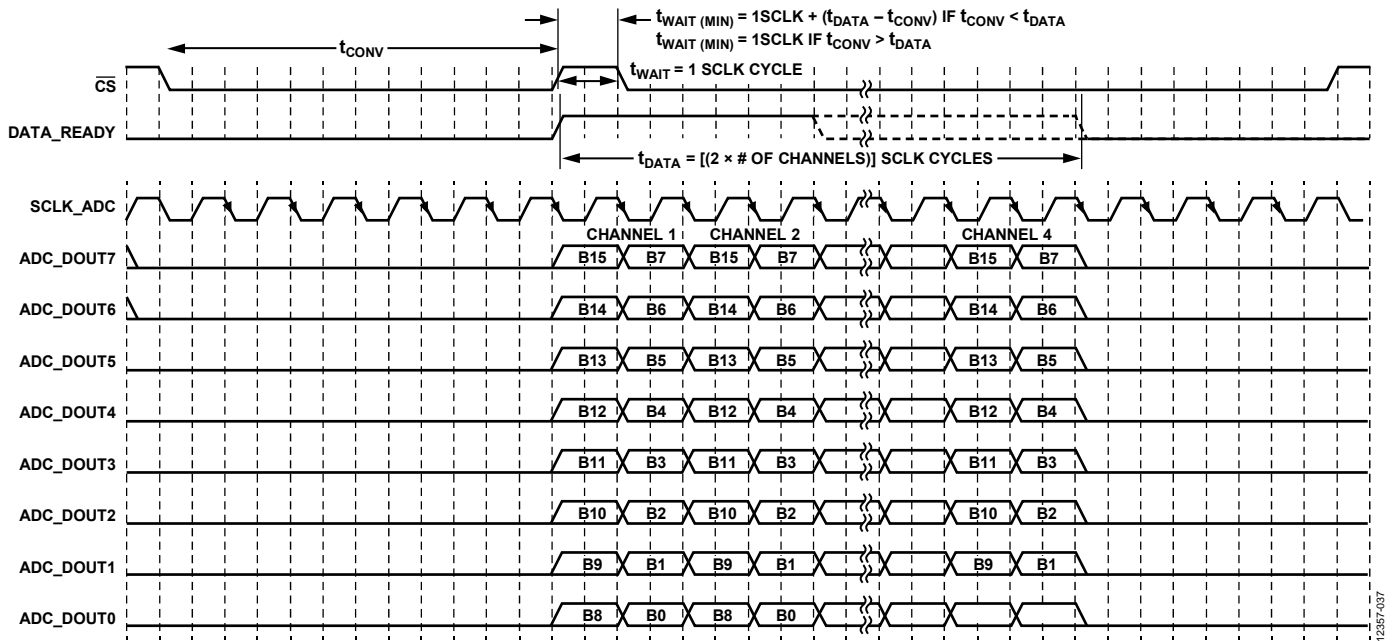


Figure 51. DAQ PPI Master Mode

The high to low transition on the  $\overline{CONV\_START}$  signal starts the conversion process. The ADC signals set the DATA\_READY signal high. Data is available at the next clock cycle. Two channels per pin are supported in serial mode, whereas two or four channels are supported in PPI mode. The SCLK frequency determines the total time required for the data ( $t_{DATA}$ ). This value is typically 32-bit clock cycles for serial mode and  $(2 \times$  the number of channels) of bit clock cycles in PPI mode. The fastest data rate available is 57.6 MHz in 2-channel, PPI, 16-cycle acquisition mode. The maximum data rate in DAQ serial mode is 38.4 MHz and is fixed. The frequency of the  $\overline{CONV\_START}$  signal dictates the sample rate of the ADC in DAQ mode. Calculate the sampling frequency in DAQ mode as

$$f_{s \text{ DAQ\_MODE}} = 1/(t_{CONV} + t_{WAIT})$$

where:

$t_{DATA} < t_{CONV}$ .

$t_{CONV}$  is the time required for the conversion.

$t_{WAIT}$  is the time required to wait before another conversion start can be initiated.

$t_{DATA}$  is the time the data is available on the ADC\_DOUTx pins.

Table 16 shows the supported modes and typical acquisition times in DAQ mode.

Table 16. Acquisition Times in DAQ Mode

| Acquisition Cycles | $t_{CONV}$ ( $\mu s$ ) |
|--------------------|------------------------|
| 16                 | 1.2                    |
| 24                 | 1.8                    |
| 32                 | 2.4                    |

### Using Multiple ADAR7251 Devices for Systems with More Than Four Channels

The ADAR7251 offers flexible serial port for multichannel applications requiring more than four channels. The typical connection diagram is shown in Figure 52.

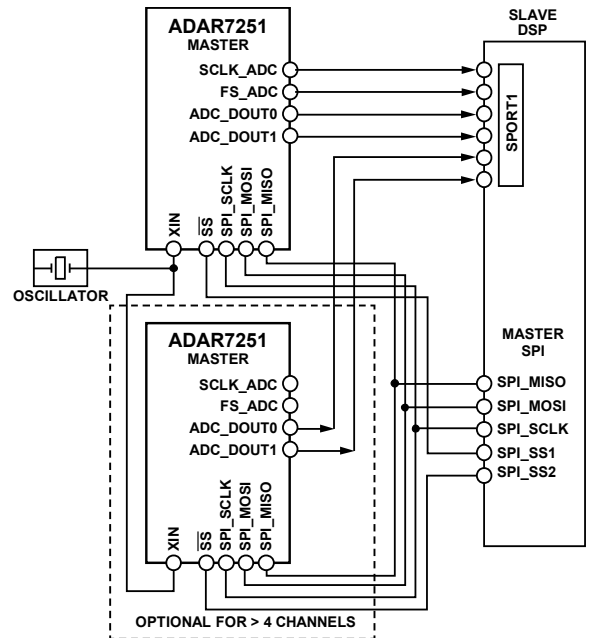


Figure 52. Connecting Multiple ADAR7251 Devices for an 8-Channel System

Multiple ADAR7251 devices can be configured using a single SPI master and clock oscillator to synchronize the PLLs of both devices. For the system to function, it is recommended to have both the ADCs on the same board and within a few inches of each other. Both the devices act as master, but only one ADAR7251 supplies the bit clock and frame sync signal to the DSP port, which is slave. This connection option may save the

extra serial port (SPORT) on the DSP. This works because both PLLs are synchronized to one master clock and are enabled at the same time using a single SPI master. SPI writes must be written to both devices simultaneously. For this to work, the  $\overline{\text{SPI\_SS}}$  pin of both devices must be selected at the same time. The SPI reads, however, can be performed independently for both devices.

### SPI CONTROL PORT

The ADAR7251 control port uses a 4-wire SPI. The SPI port sets the internal registers of the device. The SPI allows read and write capability of the registers. All the registers are 16 bits wide. The SPI control port supports Mode 11 (clock polarity = 1 and clock phase = 1), slave only and, therefore, requires the master in the system to operate. The registers cannot be accessed without the master clock to the device. It is recommended to configure the PLL first to achieve full speed on the control port. The port is powered by IOVDDx, and control signals must be within the IOVDDx limits. The serial control interface also allows the user to control auxiliary functions of the device such as the GPIOs and the auxiliary ADC.

Table 17 shows the functions of the control port pins in SPI mode.

**Table 17. Control Port Pin Functions**

| Pin No. | Mnemonic                    | Pin Function                            | Pin Type |
|---------|-----------------------------|---|----------|
| 32      | ADDR15                      | Sets the device address for the SPI     | Input    |
| 38      | SPI_MISO                    | SPI port outputs data from the ADAR7251 | Output   |
| 39      | SPI_MOSI                    | SPI port inputs data to the ADAR7251    | Input    |
| 40      | SPI_CLK                     | SPI clock to the ADAR7251               | Input    |
| 41      | $\overline{\text{SPI\_SS}}$ | SPI slave select to the ADAR7251        | Input    |

The SPI port uses a 4-wire interface, consisting of the  $\overline{\text{SPI\_SS}}$ , SPI\_CLK, SPI\_MOSI, and SPI\_MISO signals. The SPI port is always a slave port. The  $\overline{\text{SPI\_SS}}$  (slave select) selects the device. The SPI\_CLK is the serial clock input for the device, and all data transfers (either SPI\_MOSI or SPI\_MISO) take place with respect to this clock signal. The SPI\_MOSI pin addresses the on-chip registers and transfers data to these registers. The SPI\_MISO pin outputs data from the on-chip registers.

The  $\overline{\text{SPI\_SS}}$  goes low at the beginning of a transaction and high at the end of a transaction. The SPI\_CLK signal samples SPI\_MOSI on a low to high SPI\_CLK transition; therefore, the data to be written to the device must be stable during this edge. The data shifts out of the SPI\_MISO on the falling edge of the SPI\_CLK and must be clocked into a receiving device, such as a microcontroller, on the SPI\_CLK rising edge. The SPI\_MOSI signal carries the serial input data to the ADAR7251, and the SPI\_MISO signal carries the serial output data from the device. The SPI\_MISO signal remains tristated until a read operation is requested. This allows direct connection to other SPI-compatible

peripheral SPI\_MISO ports for sharing the same system controller port. All SPI transactions have the same basic format shown in Table 19. Figure 2 shows an SPI port timing diagram. All data must be written MSB first.

### Device Address R/W

The LSB of the first byte of an SPI transaction is a  $\overline{\text{R/W}}$  bit. This bit determines whether the communication is a read (Logic level 1) or a write (Logic Level 0). This format is shown in Table 18.

**Table 18. SPI Address and R/W Byte Format**

| Bit 7 | Bit 6 | Bit 5 | Bit 4 | Bit 3 | Bit 2 | Bit 1  | Bit 0                   |
|-------|-------|-------|-------|-------|-------|--------|-------------------------|
| 0     | 0     | 0     | 0     | 0     | 0     | ADDR15 | $\overline{\text{R/W}}$ |

The ADDR15 pin (Pin 32) determines the address of the device. The device reads the status of this pin on power-up and uses the device address. A 47 k $\Omega$  typical resistor must be used to set the device address by using a pull-down resistor to ground or a pull-up resistor to the IOVDDx pins. Pin 32 is multifunctional and is also used as a data output in PPI mode. The  $\overline{\text{R/W}}$  bit setting determines if the device is used for an SPI write or SPI read operation. When the  $\overline{\text{R/W}}$  bit is set to 0, it is used for an SPI write operation; when it is set to 1, it is used for an SPI read operation.

### Register Address

The registers address field is 16 bits wide. The registers start at Register 0x000.

### Data Bytes

The register data field is 16 bits wide.

### CRC

The ADAR7251 provides the user with a 16-bit cyclic redundancy check (CRC) for SPI read and writes to the device, and for data communication error detection. The CRC is enabled by default and can be disabled if not required.

Disable the CRC by writing 0x0001 to Register 0xFD00. This SPI write disables the CRC function. With the CRC disabled, the SPI read and write sequence is conventional.

Table 19 shows the typical single read/write byte sequence without the CRC; this sequence typically requires 40 clock cycles or 5 bytes. The typical 5-byte sequence consists of Byte 0 for the device address with the  $\overline{\text{R/W}}$  bit. The next two bytes, Byte 1 and Byte 2, contain the register address followed by Byte 3 and Byte 4, which carry the data to or from the register.

A sample timing diagram for a single-word SPI write operation to a register is shown in Figure 53. Figure 54 show a single-word SPI read. During the read operation, the SPI\_MISO pin goes from being high impedance (high-Z) to output at the beginning of Byte 3.

Figure 55 and Figure 56 shows the typical sequence for the multiple byte SPI read and writes.

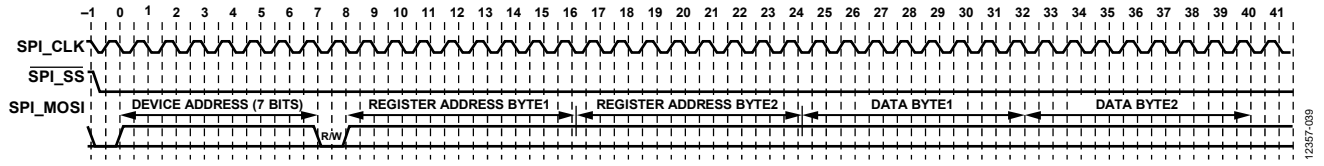


Figure 53. SPI Write to the ADAR7251 Clocking (Single-Word Write Mode), No CRC

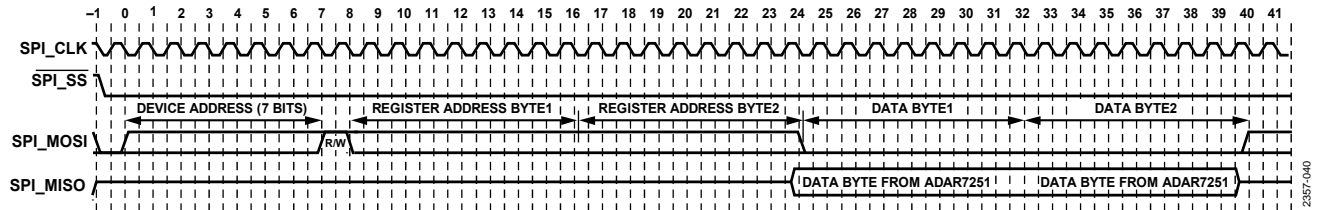


Figure 54. SPI Read from the ADAR7251 Clocking (Single-Word Read Mode), No CRC

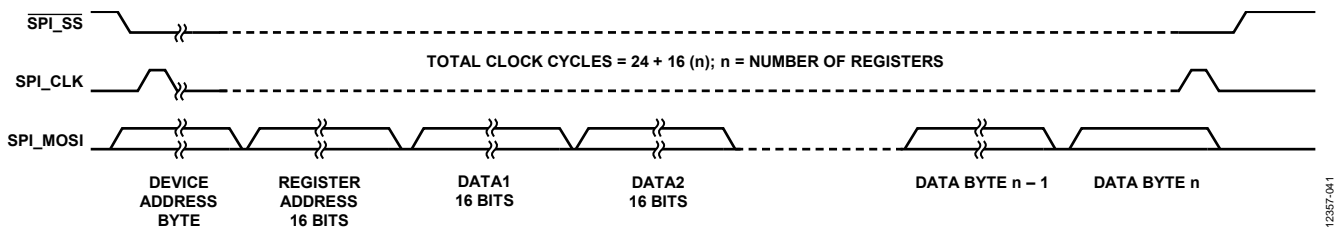


Figure 55. SPI Write to the ADAR7251 (Multiple Bytes), No CRC

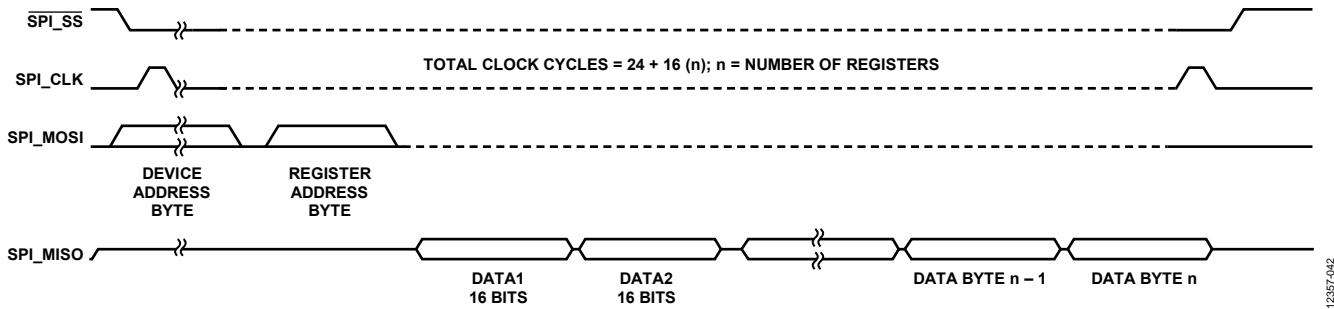


Figure 56. SPI Read from the ADAR7251 (Multiple Bytes), No CRC

Table 19. Single SPI Write or Read Format

| Operation | Byte 0                       | Byte 1                 | Byte 2                | Byte 3     | Byte 4    |
|-----------|------------------------------|------------------------|-----------------------|------------|-----------|
| Write     | Device Address[6:0], R/W = 0 | Register Address[15:8] | Register Address[7:0] | Data[15:8] | Data[7:0] |
| Read      | Device Address[6:0], R/W = 1 | Register Address[15:8] | Register Address[7:0] | Data[15:8] | Data[7:0] |

Table 20. Single Register Write with CRC

| Device Address | Register Address             | Register Data                | CRC                          |
|----------------|------------------------------|------------------------------|------------------------------|
| 1 byte<br>00   | 2 bytes<br>XXXX <sup>1</sup> | 2 bytes<br>XXXX <sup>1</sup> | 2 bytes<br>XXXX <sup>1</sup> |

<sup>1</sup> X means don't care.

If the CRC is enabled, the 16-bit CRC must be included in the SPI write following the register and data bytes. Any SPI write that does not include valid CRC bits is ignored. The SPI write with CRC included is as follows for single or multiple registers:

1. The CRC is calculated based on the data, excluding the device address byte.
2. The CRC polynomial used is  $(x^{16} + x^{15} + x^{12} + x^7 + x^6 + x^4 + x^3 + 1)$ , that is, xC86Ch.
3. The two calculated, 16-bit CRC bytes must be appended to the SPI writes along with the register address and data bytes for valid transaction.

The SPI read is limited to 8 bytes (see Table 22).

Three registers must be read one at a time to achieve the CRC. The device address is excluded from the eight bytes. The last two bytes represent the CRC bytes after the eight bytes (two bytes of the register address + six bytes of the register data).

If during the SPI write the invalid CRC is included, the expected CRC value of the last SPI transaction is stored in

Register 0x084 and Register 0x085. Register 0x084 stores the lower byte, and Register 0x085 stores the higher byte. The lower and upper bytes combined form the 16-bit CRC value expected in the SPI write sequence.

Register 0x086 enables the CRC calculation for the whole register map. It is enabled by default. Register 0x087 stores the flag that indicates the CRC calculation status. A value of 1 indicates that the CRC calculation is ready.

In addition, the CRC value for the whole register map is stored in Register 0x088 and Register 0x089. Register 0x088 stores the lower byte, whereas Register 0x089 stores the higher byte.

Register 0x084, Register 0x085, Register 0x087, Register 0x088, and Register 0x089 are read only.

Figure 57 and Figure 58 show the SPI read and write operations with the CRC.

Table 21. Multiple Register Write with CRC

| Device Address | Register Address             | Register Data                | Register Data                | Register Data                | CRC                          |
|----------------|------------------------------|------------------------------|------------------------------|------------------------------|------------------------------|
| 1 byte<br>00   | 2 bytes<br>XXXX <sup>1</sup> | 2 bytes<br>XXXX <sup>1</sup> | 2 bytes<br>XXXX <sup>1</sup> | 2 bytes<br>XXXX <sup>1</sup> | 2 bytes<br>XXXX <sup>1</sup> |

<sup>1</sup> X means don't care.

Table 22. Register Read with CRC

| Device Address | Register Address             | Register Data                | Register Data                | Register Data                | CRC                          |
|----------------|------------------------------|------------------------------|------------------------------|------------------------------|------------------------------|
| 1 byte<br>01   | 2 bytes<br>XXXX <sup>1</sup> | 2 bytes<br>XXXX <sup>1</sup> | 2 bytes<br>XXXX <sup>1</sup> | 2 bytes<br>XXXX <sup>1</sup> | 2 bytes<br>XXXX <sup>1</sup> |

<sup>1</sup> X means don't care.

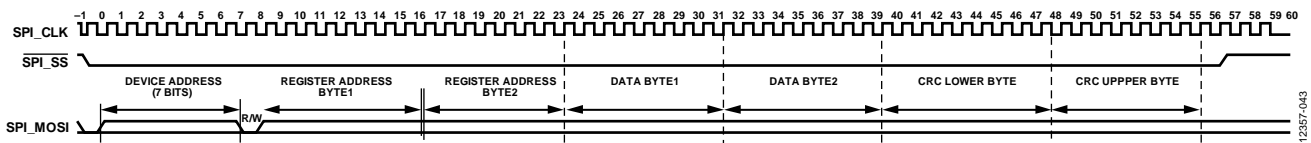


Figure 57. SPI Single Write with CRC

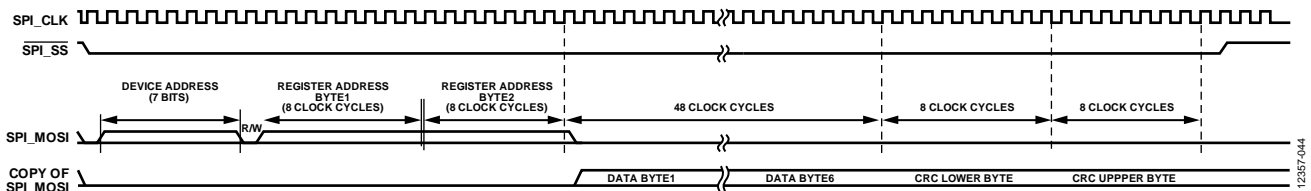


Figure 58. SPI Read with CRC



## PCB LAYOUT GUIDELINES

The printed circuit board (PCB) layout is an important consideration, as is the component placement of the decoupling capacitors. Figure 59 shows the component placement for some of the decoupling capacitors. The decoupling components for AVDDx, DVDDx, IOVDDx, CM, BIASP, BIASN, REGOUT\_DIGITAL, and PLLFILT must be placed close to the device. The 1 nF and 100 nF MLCCs must be placed close to their respective pins and on the same layer as the device. The bulk 10  $\mu$ F capacitor can be placed further from the pins. The exposed pad underneath the device must be soldered to the ground plane on the PCB with thermal vias. The recommended

footprint for the thermal pad is available at <http://www.analog.com/en/content/package-information/fca.html>. The typical recommended board stackup is four layers with the top and bottom layers used for signaling, the second layer as the ground plane, and the third layer as the power plane. Ensure that the ground plane is contiguous without breaks for the best EMI and thermal performance. During the board layout, use the SCLK\_ADC and ADC\_DOUTx signals as a transmission line to maintain the signal integrity.

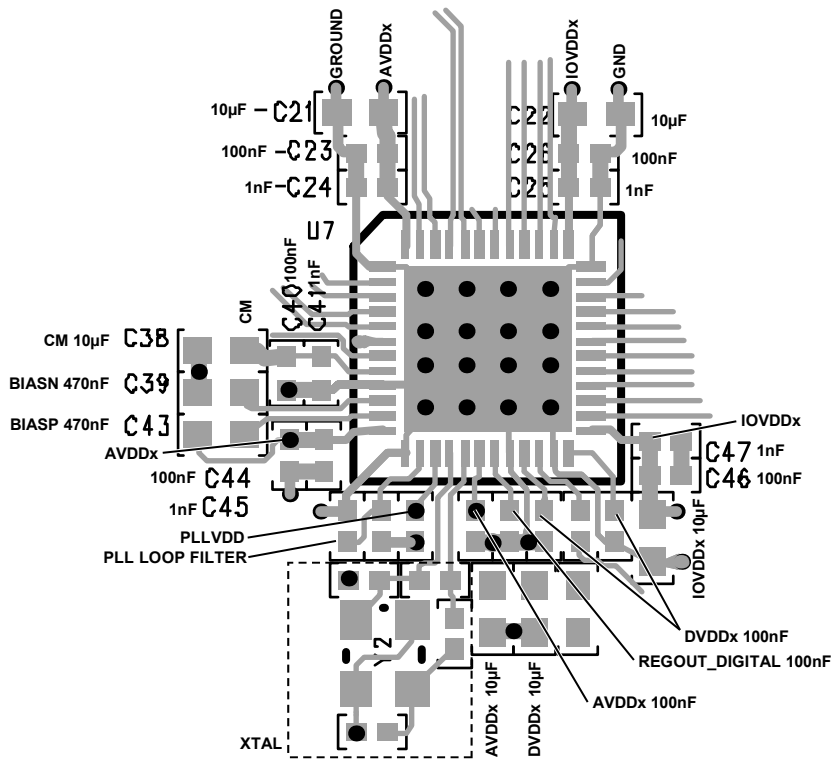


Figure 59. Recommended PCB Layout

## REGISTER SUMMARY

Table 23. Register Summary

| Reg   | Name           | Bits            | Bit 7                                 | Bit 6     | Bit 5                     | Bit 4         | Bit 3         | Bit 2         | Bit 1          | Bit 0         | Reset         | RW     |         |               |          |        |    |
|-------|----------------|-----------------|---------------------------------------|-----------|---------------------------|---------------|---------------|---------------|----------------|---------------|---------------|--------|---------|---------------|----------|--------|----|
| 0x000 | CLK_CTRL       | [15:8]<br>[7:0] | RESERVED[15:8]<br>RESERVED[7:0]       |           |                           |               |               |               |                |               | PLL_BYPASS    | 0x0001 | RW      |               |          |        |    |
| 0x001 | PLL_DEN        | [15:8]<br>[7:0] | PLL_DEN[15:8]<br>PLL_DEN[7:0]         |           |                           |               |               |               |                |               |               | 0x0000 | RW      |               |          |        |    |
| 0x002 | PLL_NUM        | [15:8]<br>[7:0] | PLL_NUM[15:8]<br>PLL_NUM[7:0]         |           |                           |               |               |               |                |               |               | 0x0000 | RW      |               |          |        |    |
| 0x003 | PLL_CTRL       | [15:8]<br>[7:0] | PLL_INTEGER_DIV<br>PLL_INPUT_PRESCALE |           |                           |               | RESERVED      | RESERVED      | RESERVED       | RESERVED[2:0] | PLL_EN        | 0x0000 | RW      |               |          |        |    |
| 0x005 | PLL_LOCK       | [15:8]<br>[7:0] | RESERVED[15:8]<br>RESERVED[7:0]       |           |                           |               |               |               |                |               | PLL_LOCK      | 0x0000 | R       |               |          |        |    |
| 0x040 | MASTER_ENABLE  | [15:8]<br>[7:0] | RESERVED[14:7]<br>RESERVED[6:0]       |           |                           |               |               |               |                |               | MASTER_EN     | 0x0000 | RW      |               |          |        |    |
| 0x041 | ADC_ENABLE     | [15:8]<br>[7:0] | LN_PG4_EN                             | LN_PG3_EN | LN_PG2_EN                 | LN_PG1_EN     | ADC4_EN       | ADC3_EN       | ADC2_EN        | ADC1_EN       | 0x00FF        | RW     |         |               |          |        |    |
| 0x042 | POWER_ENABLE   | [15:8]<br>[7:0] | RESERVED<br>FLASH_LDO_EN              |           |                           |               |               |               | LDO_EN         | AUXADC_EN     | MP_EN         | DIN_EN | POUT_EN | CLOCK_LOSS_EN | RESERVED | 0x03FF | RW |
| 0x080 | ASIL_CLEAR     | [15:8]<br>[7:0] | RESERVED[14:7]<br>RESERVED[6:0]       |           |                           |               |               |               |                |               | ASIL_CLEAR    | 0x0000 | RW      |               |          |        |    |
| 0x081 | ASIL_MASK      | [15:8]<br>[7:0] | RESERVED[1:0]                         |           | CLK_LOSS_MASK             | BRN_GOOD_MASK | BRP_GOOD_MASK | VR_GOOD_MASK  | OVERTEMP_MASK  | CRC_MASK      | 0x0000        | RW     |         |               |          |        |    |
| 0x082 | ASIL_FLAG      | [15:8]<br>[7:0] | RESERVED[14:7]<br>RESERVED[6:0]       |           |                           |               |               |               |                |               | ASIL_FLAG     | 0x0000 | R       |               |          |        |    |
| 0x083 | ASIL_ERROR     | [15:8]<br>[7:0] | RESERVED[1:0]                         |           | CLK_LOSS_ERROR            | BRN_ERROR     | BRP_ERROR     | VR_GOOD_ERROR | OVERTEMP_ERROR | CRC_ERROR     | 0x0000        | R      |         |               |          |        |    |
| 0x084 | CRC_VALUE_L    | [15:8]<br>[7:0] | RESERVED[7:0]<br>CRC_VALUE_L          |           |                           |               |               |               |                |               |               | 0x0000 | R       |               |          |        |    |
| 0x085 | CRC_VALUE_H    | [15:8]<br>[7:0] | RESERVED[7:0]<br>CRC_VALUE_H          |           |                           |               |               |               |                |               |               | 0x0000 | R       |               |          |        |    |
| 0x086 | RM_CRC_ENABLE  | [15:8]<br>[7:0] | RESERVED[14:7]<br>RESERVED[6:0]       |           |                           |               |               |               |                |               | RM_CRC_ENABLE | 0x0000 | RW      |               |          |        |    |
| 0x087 | RM_CRC_DONE    | [15:8]<br>[7:0] | RESERVED[14:7]<br>RESERVED[6:0]       |           |                           |               |               |               |                |               | RM_CRC_DONE   | 0x0000 | R       |               |          |        |    |
| 0x088 | RM_CRC_VALUE_L | [15:8]<br>[7:0] | RESERVED[7:0]<br>RM_CRC_VALUE_L       |           |                           |               |               |               |                |               |               | 0x0000 | R       |               |          |        |    |
| 0x089 | RM_CRC_VALUE_H | [15:8]<br>[7:0] | RESERVED[7:0]<br>RM_CRC_VALUE_H       |           |                           |               |               |               |                |               |               | 0x0000 | R       |               |          |        |    |
| 0x100 | LNA_GAIN       | [15:8]<br>[7:0] | LNA4_GAIN                             |           | LNA3_GAIN                 |               | LNA2_GAIN     |               | LNA1_GAIN      |               | 0x0000        | RW     |         |               |          |        |    |
| 0x101 | PGA_GAIN       | [15:8]<br>[7:0] | PGA4_GAIN                             |           | PGA3_GAIN                 |               | PGA2_GAIN     |               | PGA1_GAIN      |               | 0x0000        | RW     |         |               |          |        |    |
| 0x102 | ADC_ROUTING1_4 | [15:8]<br>[7:0] | RESERVED                              | ADC4_SRC  |                           |               | RESERVED      | ADC3_SRC      |                |               | 0x2222        | RW     |         |               |          |        |    |
|       |                |                 | RESERVED                              | ADC2_SRC  |                           |               | RESERVED      | ADC1_SRC      |                |               |               |        |         |               |          |        |    |
| 0x140 | DECIM_RATE     | [15:8]<br>[7:0] | RESERVED[12:5]<br>RESERVED[4:0]       |           |                           |               | DECIM_RATE    |               |                |               | 0x0003        | RW     |         |               |          |        |    |
| 0x141 | HIGH_PASS      | [15:8]<br>[7:0] | RESERVED[0]                           | PHASE_EQ  | RESERVED[8:1]<br>HP_SHIFT |               |               |               | ENABLE_HP      |               | 0x0018        | RW     |         |               |          |        |    |

| Reg   | Name          | Bits   | Bit 7          | Bit 6          | Bit 5      | Bit 4     | Bit 3         | Bit 2    | Bit 1          | Bit 0        | Reset         | RW |        |    |
|-------|---------------|--------|----------------|----------------|------------|-----------|---------------|----------|----------------|--------------|---------------|----|--------|----|
| 0x143 | ACK_MODE      | [15:8] | RESERVED[9:2]  |                |            |           | RESERVED[9:2] |          | RESERVED[9:2]  |              | RESERVED[9:2] |    | 0x0000 | RW |
|       |               | [7:0]  | RESERVED[1:0]  |                | ACK_CYCLES |           | ACK_OUT_RATE  |          | ACK_MODE       |              |               |    |        |    |
| 0x144 | TRUNCATE_MODE | [15:8] | RESERVED[13:6] |                |            |           |               |          |                |              |               |    | 0x0002 | RW |
|       |               | [7:0]  | RESERVED[5:0]  |                |            |           |               |          | TRUNC_MODE     |              |               |    |        |    |
| 0x1C0 | SERIAL_MODE   | [15:8] | RESERVED       |                |            |           |               |          |                |              |               |    | 0x0000 | RW |
|       |               | [7:0]  | RESERVED       | CLK_SRC        | LRCLK_MODE | LRCLK_POL | BCLK_POL      | DATA_FMT | TDM_MODE       |              |               |    |        |    |
| 0x1C1 | PARALLEL_MODE | [15:8] | RESERVED[12:5] |                |            |           |               |          |                |              |               |    | 0x0000 | RW |
|       |               | [7:0]  | RESERVED[4:0]  |                |            |           | PAR_NIBBLE    |          | PAR_ENDIAN     | PAR_CHANNELS |               |    |        |    |
| 0x1C2 | OUTPUT_MODE   | [15:8] | RESERVED[13:6] |                |            |           |               |          |                |              |               |    | 0x0000 | RW |
|       |               | [7:0]  | RESERVED[5:0]  |                |            |           |               |          | CS_OVERRIDE    | OUTPUT_MODE  |               |    |        |    |
| 0x200 | ADC_READ0     | [15:8] | RESERVED[5:0]  |                |            |           |               |          |                |              |               |    | 0x0000 | R  |
|       |               | [7:0]  | ADC_VALUE[7:0] |                |            |           |               |          |                |              |               |    |        |    |
| 0x201 | ADC_READ1     | [15:8] | RESERVED[5:0]  |                |            |           |               |          |                |              |               |    | 0x0000 | R  |
|       |               | [7:0]  | ADC_VALUE[7:0] |                |            |           |               |          |                |              |               |    |        |    |
| 0x210 | ADC_SPEED     | [15:8] | RESERVED[13:6] |                |            |           |               |          |                |              |               |    | 0x0000 | RW |
|       |               | [7:0]  | RESERVED[5:0]  |                |            |           |               |          | ADC_SPEED      |              |               |    |        |    |
| 0x211 | ADC_MODE      | [15:8] | RESERVED[12:5] |                |            |           |               |          |                |              |               |    | 0x0000 | RW |
|       |               | [7:0]  | RESERVED[4:0]  |                |            |           | AUX_INPUT_SEL |          | AUX_ADC_MODE   |              |               |    |        |    |
| 0x250 | MP0_MODE      | [15:8] | RESERVED[8:1]  |                |            |           |               |          |                |              |               |    | 0x0000 | RW |
|       |               | [7:0]  | RESERVED[0]    | DEBOUNCE_VALUE |            |           |               | MP_MODE  |                |              |               |    |        |    |
| 0x251 | MP1_MODE      | [15:8] | RESERVED[8:1]  |                |            |           |               |          |                |              |               |    | 0x0000 | RW |
|       |               | [7:0]  | RESERVED[0]    | DEBOUNCE_VALUE |            |           |               | MP_MODE  |                |              |               |    |        |    |
| 0x260 | MP0_WRITE     | [15:8] | RESERVED[14:7] |                |            |           |               |          |                |              |               |    | 0x0000 | RW |
|       |               | [7:0]  | RESERVED[6:0]  |                |            |           |               |          | MP_REG_WRITE   |              |               |    |        |    |
| 0x261 | MP1_WRITE     | [15:8] | RESERVED[14:7] |                |            |           |               |          |                |              |               |    | 0x0000 | RW |
|       |               | [7:0]  | RESERVED[6:0]  |                |            |           |               |          | MP_REG_WRITE   |              |               |    |        |    |
| 0x270 | MP0_READ      | [15:8] | RESERVED[14:7] |                |            |           |               |          |                |              |               |    | 0x0000 | R  |
|       |               | [7:0]  | RESERVED[6:0]  |                |            |           |               |          | MP_REG_READ    |              |               |    |        |    |
| 0x271 | MP1_READ      | [15:8] | RESERVED[14:7] |                |            |           |               |          |                |              |               |    | 0x0000 | R  |
|       |               | [7:0]  | RESERVED[6:0]  |                |            |           |               |          | MP_REG_READ    |              |               |    |        |    |
| 0x280 | SPI_CLK_PIN   | [15:8] | RESERVED[12:5] |                |            |           |               |          |                |              |               |    | 0x0000 | RW |
|       |               | [7:0]  | RESERVED[4:0]  |                |            |           | SPI_CLK_PULL  |          | SPI_CLK_DRIVE  |              |               |    |        |    |
| 0x281 | MISO_PIN      | [15:8] | RESERVED[12:5] |                |            |           |               |          |                |              |               |    | 0x0000 | RW |
|       |               | [7:0]  | RESERVED[4:0]  |                |            |           | MISO_PULL     |          | MISO_DRIVE     |              |               |    |        |    |
| 0x282 | SS_PIN        | [15:8] | RESERVED[12:5] |                |            |           |               |          |                |              |               |    | 0x0004 | RW |
|       |               | [7:0]  | RESERVED[4:0]  |                |            |           | SS_PULL       |          | SS_DRIVE       |              |               |    |        |    |
| 0x283 | MOSI_PIN      | [15:8] | RESERVED[12:5] |                |            |           |               |          |                |              |               |    | 0x0000 | RW |
|       |               | [7:0]  | RESERVED[4:0]  |                |            |           | MOSI_PULL     |          | MOSI_DRIVE     |              |               |    |        |    |
| 0x284 | ADDR15_PIN    | [15:8] | RESERVED[12:5] |                |            |           |               |          |                |              |               |    | 0x0000 | RW |
|       |               | [7:0]  | RESERVED[4:0]  |                |            |           | ADDR15_PULL   |          | ADDR15_DRIVE   |              |               |    |        |    |
| 0x285 | FAULT_PIN     | [15:8] | RESERVED[12:5] |                |            |           |               |          |                |              |               |    | 0x0004 | RW |
|       |               | [7:0]  | RESERVED[4:0]  |                |            |           | FAULT_PULL    |          | FAULT_DRIVE    |              |               |    |        |    |
| 0x286 | FS_ADC_PIN    | [15:8] | RESERVED[12:5] |                |            |           |               |          |                |              |               |    | 0x0000 | RW |
|       |               | [7:0]  | RESERVED[4:0]  |                |            |           | FS_ADC_PULL   |          | FS_ADC_DRIVE   |              |               |    |        |    |
| 0x287 | CS_PIN        | [15:8] | RESERVED[12:5] |                |            |           |               |          |                |              |               |    | 0x0004 | RW |
|       |               | [7:0]  | RESERVED[4:0]  |                |            |           | CS_PULL       |          | CS_DRIVE       |              |               |    |        |    |
| 0x288 | SCLK_ADC_PIN  | [15:8] | RESERVED[12:5] |                |            |           |               |          |                |              |               |    | 0x0000 | RW |
|       |               | [7:0]  | RESERVED[4:0]  |                |            |           | SCLK_ADC_PULL |          | SCLK_ADC_DRIVE |              |               |    |        |    |
| 0x289 | ADC_DOUT_PIN  | [15:8] | RESERVED[12:5] |                |            |           |               |          |                |              |               |    | 0x0000 | RW |
|       |               | [7:0]  | RESERVED[4:0]  |                |            |           | ADC_DOUT_PULL |          | ADC_DOUT_DRIVE |              |               |    |        |    |

| Reg    | Name            | Bits            | Bit 7           | Bit 6 | Bit 5 | Bit 4 | Bit 3 | Bit 2         | Bit 1 | Bit 0            | Reset                           | RW               |        |    |
|--------|-----------------|-----------------|-----------------|-------|-------|-------|-------|---------------|-------|------------------|---------------------------------|------------------|--------|----|
| 0x28A  | ADC_DOUT1_PIN   | [15:8]<br>[7:0] | RESERVED[12:5]  |       |       |       |       | RESERVED[4:0] |       | ADC_DOUT_PULL    | ADC_DOUT_DRIVE                  | 0x0000           | RW     |    |
| 0x28B  | ADC_DOUT2_PIN   | [15:8]<br>[7:0] | RESERVED[12:5]  |       |       |       |       | RESERVED[4:0] |       | ADC_DOUT_PULL    | ADC_DOUT_DRIVE                  | 0x0000           | RW     |    |
| 0x28C  | ADC_DOUT3_PIN   | [15:8]<br>[7:0] | RESERVED[12:5]  |       |       |       |       | RESERVED[4:0] |       | ADC_DOUT_PULL    | ADC_DOUT_DRIVE                  | 0x0000           | RW     |    |
| 0x28D  | ADC_DOUT4_PIN   | [15:8]<br>[7:0] | RESERVED[12:5]  |       |       |       |       | RESERVED[4:0] |       | ADC_DOUT_PULL    | ADC_DOUT_DRIVE                  | 0x0000           | RW     |    |
| 0x28E  | ADC_DOUT5_PIN   | [15:8]<br>[7:0] | RESERVED[12:5]  |       |       |       |       | RESERVED[4:0] |       | ADC_DOUT_PULL    | ADC_DOUT_DRIVE                  | 0x0000           | RW     |    |
| 0x291  | DATA_READY_PIN  | [15:8]<br>[7:0] | RESERVED[12:5]  |       |       |       |       | RESERVED[4:0] |       | DATA_READY_PULL  | DATA_READY_DRIVE                | 0x0000           | RW     |    |
| 0x292  | XTAL_CTRL       | [15:8]<br>[7:0] | RESERVED[13:6]  |       |       |       |       | RESERVED[5:0] |       | XTAL_DRV         | XTAL_ENB                        | 0x0000           | RW     |    |
| 0x301  | ADC_SETTING1    | [15:8]<br>[7:0] | RESERVED[15:10] |       |       |       |       | RESERVED[7:3] |       | PDETECT_EN       | EQ_CAP_CTRL<br>PERFORM_IMPROVE1 | RESERVED         | 0x0304 | RW |
| 0x308  | ADC_SETTING2    | [15:8]<br>[7:0] | RESERVED[8:1]   |       |       |       |       | RESERVED[0]   |       | PERFORM_IMPROVE2 |                                 |                  | 0x0000 | RW |
| 0x30A  | ADC_SETTING3    | [15:8]<br>[7:0] | RESERVED[11:4]  |       |       |       |       | RESERVED[3:0] |       | PERFORM_IMPROVE5 | RESERVED                        | PERFORM_IMPROVE4 | 0x0009 | RW |
| 0x30E  | DEJITTER_WINDOW | [15:8]<br>[7:0] | RESERVED[15:8]  |       |       |       |       | RESERVED[7:4] |       | DEJITTER         |                                 |                  | 0x0003 | RW |
| 0xFD00 | CRC_EN          | [15:8]<br>[7:0] | RESERVED[14:7]  |       |       |       |       | RESERVED[6:0] |       | CRC_EN           |                                 |                  | 0x0000 | RW |

## REGISTER DETAILS

### CLOCK CONTROL REGISTER

Address: 0x000, Reset: 0x0001, Name: CLK\_CTRL

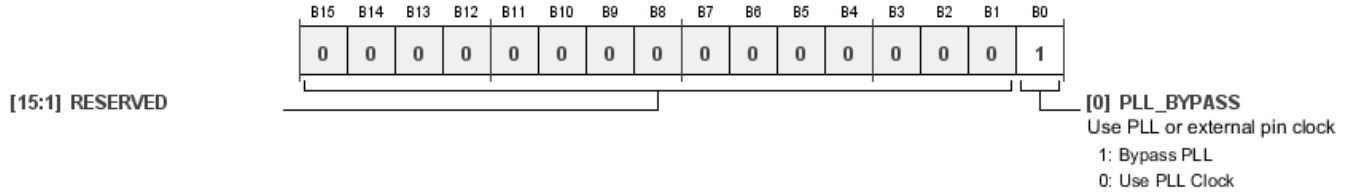


Table 24. Bit Descriptions for CLK\_CTRL

| Bits | Bit Name   | Settings | Description   | Reset | Access |
|------|------------|----------|---|-------|--------|
| 0    | PLL_BYPASS | 1<br>0   | Use PLL or External Pin Clock.<br>Bypass PLL.<br>Use PLL Clock. | 0x1   | RW     |

### PLL DENOMINATOR REGISTER

Address: 0x001, Reset: 0x0000, Name: PLL\_DEN

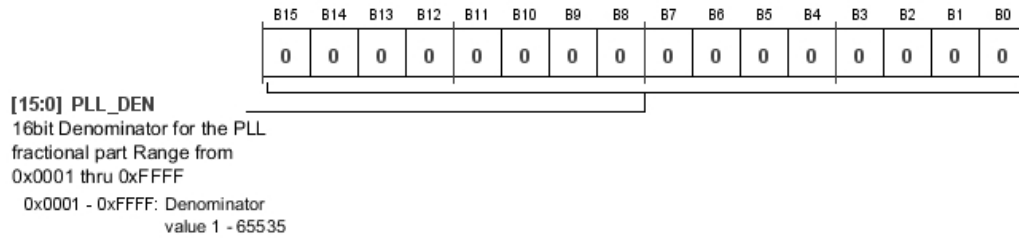


Table 25. Bit Descriptions for PLL\_DEN

| Bits   | Bit Name | Settings         | Description   | Reset | Access |
|--------|----------|------------------|---|-------|--------|
| [15:0] | PLL_DEN  | 0x0001 to 0xFFFF | 16-Bit Denominator for the PLL Fractional Part Range from 0x0001 Through 0xFFFF. Denominator Value 1 to 65,535. | 0x0   | RW     |

### PLL NUMERATOR REGISTER

Address: 0x002, Reset: 0x0000, Name: PLL\_NUM

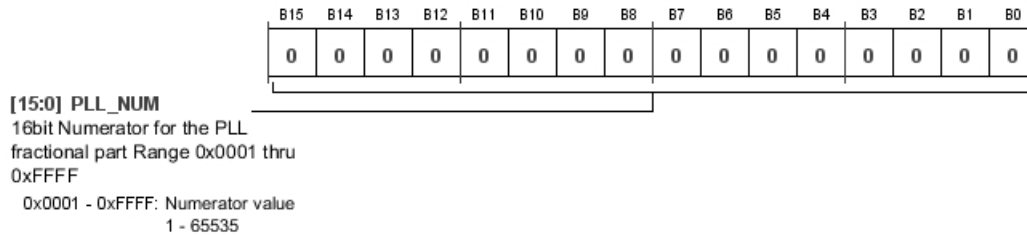


Table 26. Bit Descriptions for PLL\_NUM

| Bits   | Bit Name | Settings         | Description   | Reset | Access |
|--------|----------|------------------|---|-------|--------|
| [15:0] | PLL_NUM  | 0x0001 to 0xFFFF | 16-Bit Numerator for the PLL Fractional Part Range from 0x0001 Through 0xFFFF. Numerator Value 1 to 65,535. | 0x0   | RW     |

**PLL CONTROL REGISTER**

Address: 0x003, Reset: 0x0000, Name: PLL\_CTRL

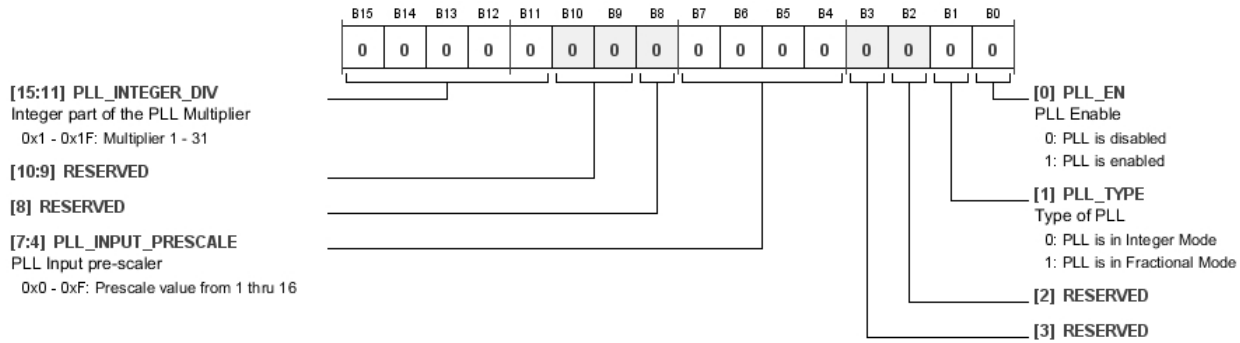


Table 27. Bit Descriptions for PLL\_CTRL

| Bits    | Bit Name           | Settings    | Description   | Reset | Access |
|---------|--------------------|-------------|---|-------|--------|
| [15:11] | PLL_INTEGER_DIV    | 0x1 to 0x1F | Integer Part of the PLL Multiplier.<br>Multiplier 1 to 31.                | 0x00  | RW     |
| [7:4]   | PLL_INPUT_PRESCALE | 0x0 to 0xF  | PLL Input Prescaler.<br>Prescale Value from 1 Through 16.                 | 0x0   | RW     |
| 1       | PLL_TYPE           | 0<br>1      | Type of PLL.<br>0 PLL is in Integer Mode.<br>1 PLL is in Fractional Mode. | 0x0   | RW     |
| 0       | PLL_EN             | 0<br>1      | PLL Enable.<br>0 PLL is Disabled.<br>1 PLL is Enabled.                    | 0x0   | RW     |

**PLL STATUS REGISTER**

Address: 0x005, Reset: 0x0000, Name: PLL\_LOCK

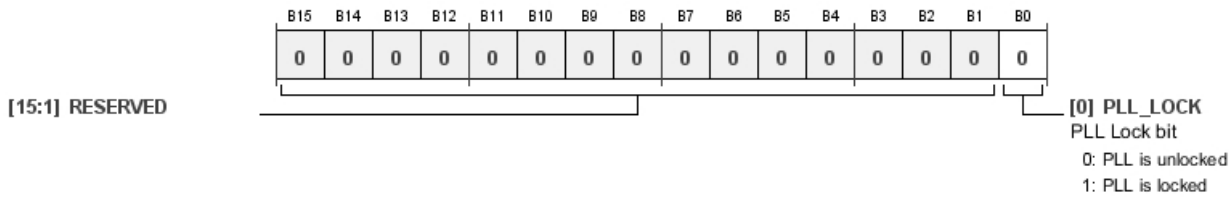


Table 28. Bit Descriptions for PLL\_LOCK

| Bits | Bit Name | Settings | Description   | Reset | Access |
|------|----------|----------|---|-------|--------|
| 0    | PLL_LOCK | 0<br>1   | PLL Lock Bit.<br>0 PLL is Unlocked.<br>1 PLL is Locked. | 0x0   | R      |

### MASTER ENABLE SWITCH REGISTER

Address: 0x040, Reset: 0x0000, Name: MASTER\_ENABLE

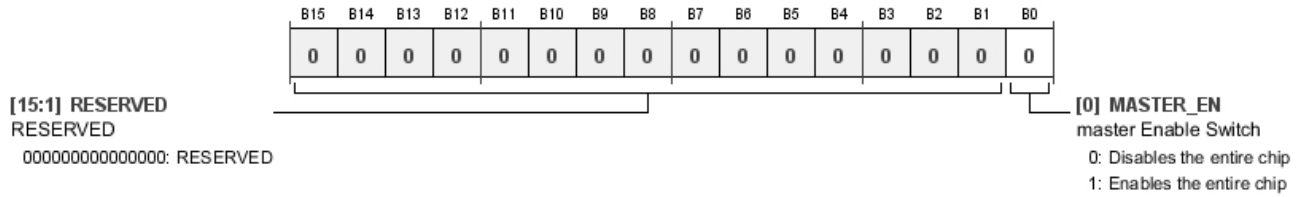


Table 29. Bit Descriptions for MASTER\_ENABLE

| Bits | Bit Name  | Settings | Description  | Reset | Access |
|------|-----------|----------|--|-------|--------|
| 0    | MASTER_EN | 0<br>1   | Master Enable Switch.<br>Disables the Entire Chip.<br>Enables the Entire Chip. | 0x0   | RW     |

### ADC ENABLE REGISTER

Address: 0x041, Reset: 0x00FF, Name: ADC\_ENABLE

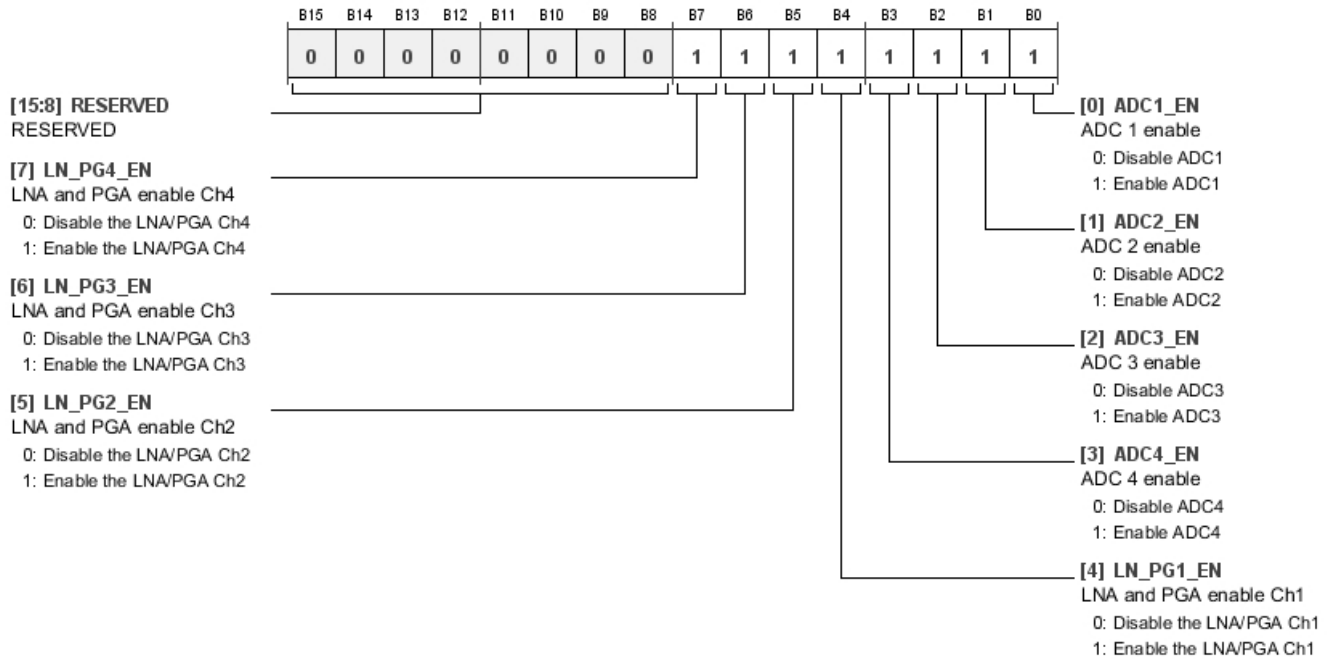


Table 30. Bit Descriptions for ADC\_ENABLE

| Bits | Bit Name  | Settings | Description  | Reset | Access |
|------|-----------|----------|--|-------|--------|
| 7    | LN_PG4_EN | 0<br>1   | LNA and PGA Enable Channel 4.<br>Disable the LNA/PGA Channel 4.<br>Enable the LNA/PGA Channel 4. | 0x1   | RW     |
| 6    | LN_PG3_EN | 0<br>1   | LNA and PGA Enable Channel 3.<br>Disable the LNA/PGA Channel 3.<br>Enable the LNA/PGA Channel 3. | 0x1   | RW     |

| Bits | Bit Name  | Settings | Description  | Reset | Access |
|------|-----------|----------|--|-------|--------|
| 5    | LN_PG2_EN | 0<br>1   | LNA and PGA Enable Channel 2.<br>Disable the LNA/PGA Channel 2.<br>Enable the LNA/PGA Channel 2. | 0x1   | RW     |
| 4    | LN_PG1_EN | 0<br>1   | LNA and PGA Enable Channel 1.<br>Disable the LNA/PGA Channel 1.<br>Enable the LNA/PGA Channel 1. | 0x1   | RW     |
| 3    | ADC4_EN   | 0<br>1   | ADC 4 Enable.<br>Disable ADC 4.<br>Enable ADC 4.   | 0x1   | RW     |
| 2    | ADC3_EN   | 0<br>1   | ADC 3 Enable.<br>Disable ADC 3.<br>Enable ADC 3.   | 0x1   | RW     |
| 1    | ADC2_EN   | 0<br>1   | ADC 2 Enable.<br>Disable ADC 2.<br>Enable ADC 2.   | 0x1   | RW     |
| 0    | ADC1_EN   | 0<br>1   | ADC 1 Enable.<br>Disable ADC 1.<br>Enable ADC 1.   | 0x1   | RW     |

## POWER ENABLE REGISTER

Address: 0x042, Reset: 0x03FF, Name: POWER\_ENABLE

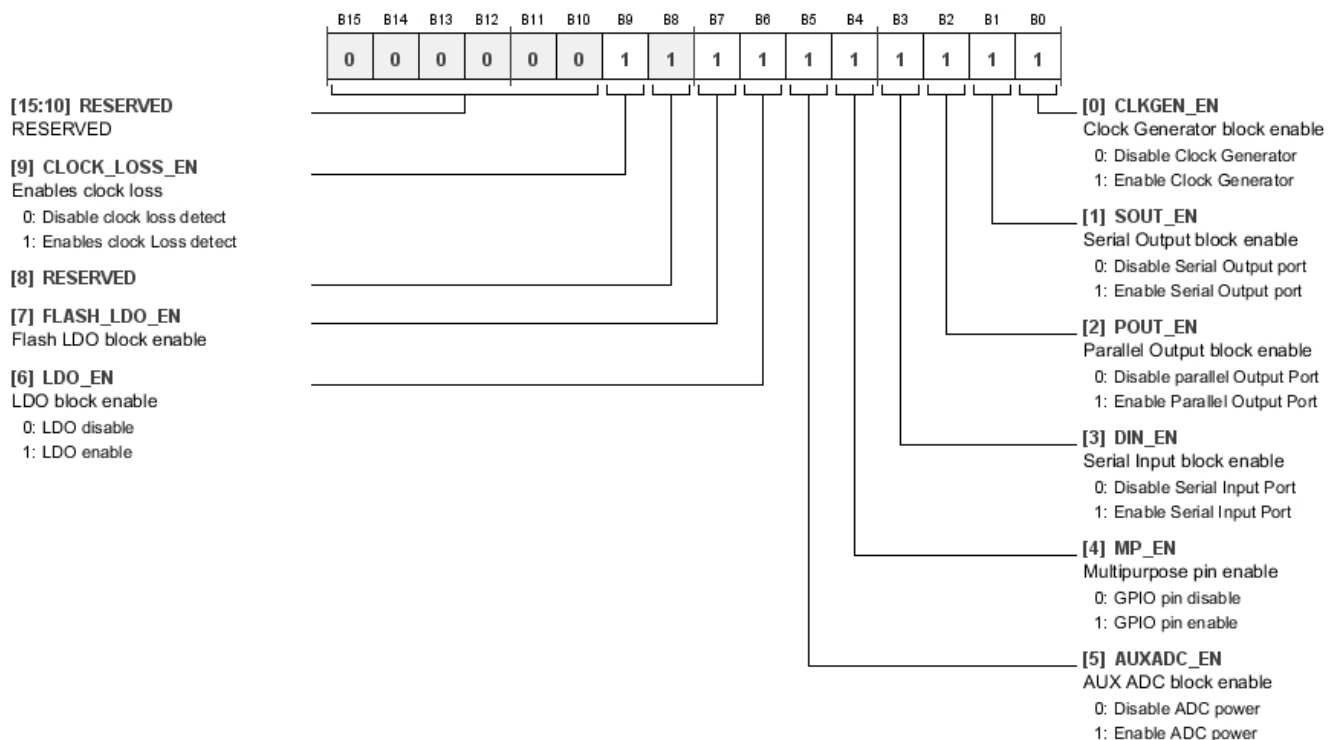


Table 31. Bit Descriptions for POWER\_ENABLE

| Bits | Bit Name      | Settings | Description  | Reset | Access |
|------|---------------|----------|--|-------|--------|
| 9    | CLOCK_LOSS_EN | 0<br>1   | Enables Clock Loss.<br>Disables Clock Loss Detect.<br>Enables Clock Loss Detect. | 0x1   | RW     |
| 7    | FLASH_LDO_EN  |          | Flash LDO Block Enable.  | 0x1   | RW     |



| Bits | Bit Name  | Settings | Description  | Reset | Access |
|------|-----------|----------|--|-------|--------|
| 6    | LDO_EN    | 0<br>1   | LDO Block Enable.<br>LDO Disable.<br>LDO Enable.   | 0x1   | RW     |
| 5    | AUXADC_EN | 0<br>1   | AUX ADC Block Enable.<br>Disable ADC Power.<br>Enable ADC Power.                               | 0x1   | RW     |
| 4    | MP_EN     | 0<br>1   | Multipurpose Pin Enable.<br>GPIO Pin Disable.<br>GPIO Pin Enable.                              | 0x1   | RW     |
| 3    | DIN_EN    | 0<br>1   | Serial Input Block Enable.<br>Disable Serial Input Port.<br>Enable Serial Input Port.          | 0x1   | RW     |
| 2    | POUT_EN   | 0<br>1   | Parallel Output Block Enable.<br>Disable Parallel Output Port.<br>Enable Parallel Output Port. | 0x1   | RW     |
| 1    | SOUT_EN   | 0<br>1   | Serial Output Block Enable.<br>Disable Serial Output Port.<br>Enable Serial Output Port.       | 0x1   | RW     |
| 0    | CLKGEN_EN | 0<br>1   | Clock Generator Block Enable.<br>Disable Clock Generator.<br>Enable Clock Generator.           | 0x1   | RW     |

**CLEAR THE ASIL ERRORS REGISTER**

Address: 0x080, Reset: 0x0000, Name: ASIL\_CLEAR

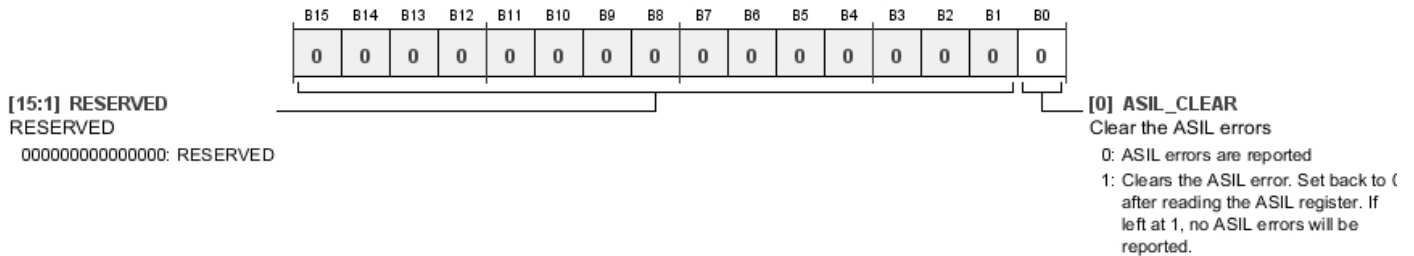


Table 32. Bit Descriptions for ASIL\_CLEAR

| Bits | Bit Name   | Settings | Description   | Reset | Access |
|------|------------|----------|---|-------|--------|
| 0    | ASIL_CLEAR | 0<br>1   | Clear the Automotive Safety Integrity Level (ASIL) Errors.<br>ASIL Errors are Reported.<br>Clears the ASIL Error. Set back to 0 after reading the ASIL register. If left at 1, no ASIL errors are reported. | 0x0   | RW     |

**SELECTS WHICH ERRORS TO MASK REGISTER**

Address: 0x081, Reset: 0x0000, Name: ASIL\_MASK

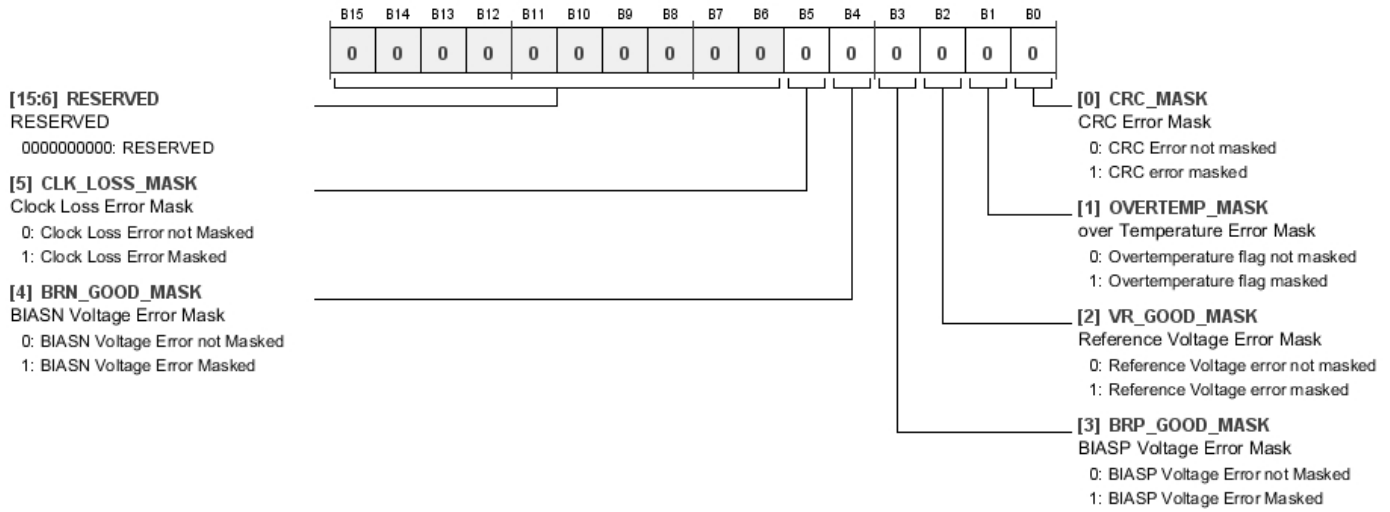


Table 33. Bit Descriptions for ASIL\_MASK

| Bits | Bit Name      | Settings | Description   | Reset | Access |
|------|---------------|----------|---|-------|--------|
| 5    | CLK_LOSS_MASK | 0<br>1   | Clock Loss Error Mask.<br>Clock Loss Error Not Masked.<br>Clock Loss Error Masked.                      | 0x0   | RW     |
| 4    | BRN_GOOD_MASK | 0<br>1   | BIASN Voltage Error Mask.<br>BIASN Voltage Error Not Masked.<br>BIASN Voltage Error Masked.             | 0x0   | RW     |
| 3    | BRP_GOOD_MASK | 0<br>1   | BIASP Voltage Error Mask.<br>BIASP Voltage Error Not Masked.<br>BIASP Voltage Error Masked.             | 0x0   | RW     |
| 2    | VR_GOOD_MASK  | 0<br>1   | Reference Voltage Error Mask.<br>Reference Voltage Error Not Masked.<br>Reference Voltage Error Masked. | 0x0   | RW     |
| 1    | OVERTEMP_MASK | 0<br>1   | Overtemperature Error Mask.<br>Overtemperature Flag Not Masked.<br>Overtemperature Flag Masked.         | 0x0   | RW     |
| 0    | CRC_MASK      | 0<br>1   | CRC Error Mask.<br>CRC Error Not Masked.<br>CRC Error Masked.   | 0x0   | RW     |

**ASIL ERROR FLAG REGISTER**

Address: 0x082, Reset: 0x0000, Name: ASIL\_FLAG

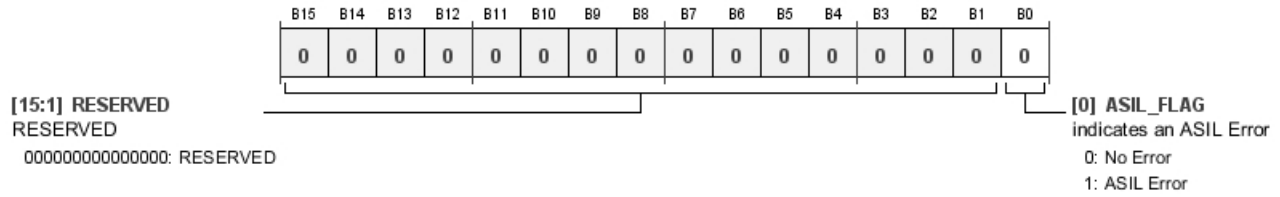


Table 34. Bit Descriptions for ASIL\_FLAG

| Bits | Bit Name  | Settings | Description  | Reset | Access |
|------|-----------|----------|--|-------|--------|
| 0    | ASIL_FLAG | 0<br>1   | Indicates an ASIL Error.<br>No Error.<br>ASIL Error. | 0x0   | R      |

**ASIL ERROR CODE REGISTER**

Address: 0x083, Reset: 0x0000, Name: ASIL\_ERROR

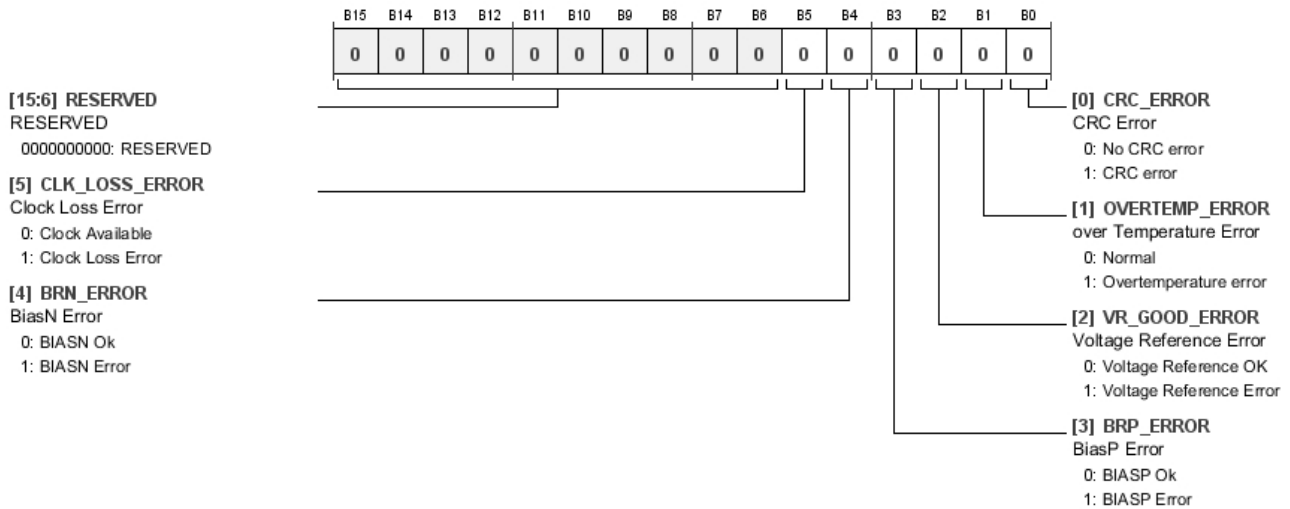


Table 35. Bit Descriptions for ASIL\_ERROR

| Bits | Bit Name       | Settings | Description   | Reset | Access |
|------|----------------|----------|---|-------|--------|
| 5    | CLK_LOSS_ERROR | 0<br>1   | Clock Loss Error.<br>Clock Available.<br>Clock Loss Error.                    | 0x0   | R      |
| 4    | BRN_ERROR      | 0<br>1   | BIASN Error.<br>BIASN OK.<br>BIASN Error.                                     | 0x0   | R      |
| 3    | BRP_ERROR      | 0<br>1   | BIASP Error.<br>BIASP OK.<br>BIASP Error.                                     | 0x0   | R      |
| 2    | VR_GOOD_ERROR  | 0<br>1   | Voltage Reference Error.<br>Voltage Reference OK.<br>Voltage Reference Error. | 0x0   | R      |

| Bits | Bit Name       | Settings | Description   | Reset | Access |
|------|----------------|----------|---|-------|--------|
| 1    | OVERTEMP_ERROR | 0<br>1   | Overtemperature Error.<br>Normal.<br>Overtemperature Error. | 0x0   | R      |
| 0    | CRC_ERROR      | 0<br>1   | CRC Error.<br>No CRC Error.<br>CRC Error.                   | 0x0   | R      |

## CRC VALUE, BITS[7:0] REGISTER

Address: 0x084, Reset: 0x0000, Name: CRC\_VALUE\_L

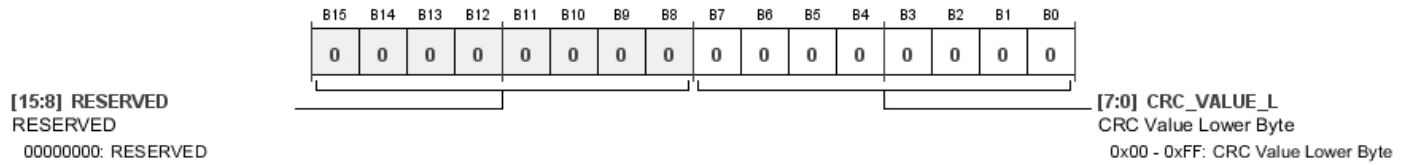


Table 36. Bit Descriptions for CRC\_VALUE\_L

| Bits  | Bit Name    | Settings     | Description                                    | Reset | Access |
|-------|-------------|--------------|--|-------|--------|
| [7:0] | CRC_VALUE_L | 0x00 to 0xFF | CRC Value Lower Byte.<br>CRC Value Lower Byte. | 0x0   | R      |

## CRC VALUE REGISTER

Address: 0x085, Reset: 0x0000, Name: CRC\_VALUE\_H

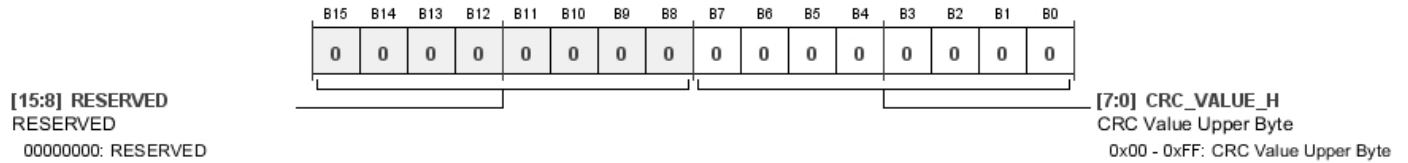


Table 37. Bit Descriptions for CRC\_VALUE\_H

| Bits  | Bit Name    | Settings     | Description                                    | Reset | Access |
|-------|-------------|--------------|--|-------|--------|
| [7:0] | CRC_VALUE_H | 0x00 to 0xFF | CRC Value Upper Byte.<br>CRC Value Upper Byte. | 0x0   | R      |

**START CALCULATING THE CRC VALUE OF THE REGISTER MAP CONTENT REGISTER**

Address: 0x086, Reset: 0x0000, Name: RM\_CRC\_ENABLE

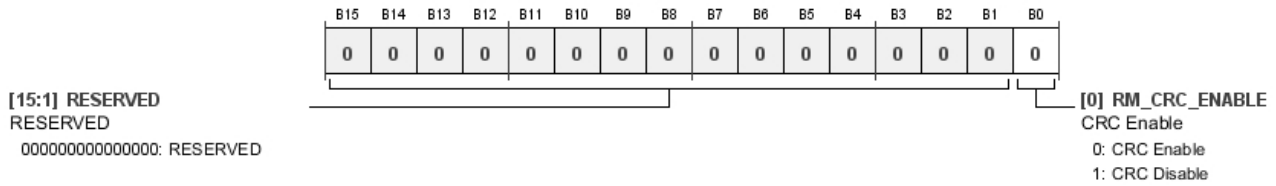


Table 38. Bit Descriptions for RM\_CRC\_ENABLE

| Bits | Bit Name      | Settings | Description                                | Reset | Access |
|------|---------------|----------|--|-------|--------|
| 0    | RM_CRC_ENABLE | 0<br>1   | CRC Enable.<br>CRC Enable.<br>CRC Disable. | 0x0   | RW     |

**REGISTER MAP CRC CALCULATION DONE REGISTER**

Address: 0x087, Reset: 0x0000, Name: RM\_CRC\_DONE

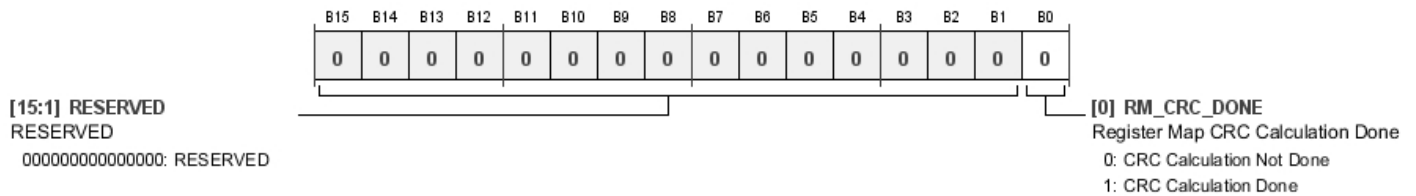


Table 39. Bit Descriptions for RM\_CRC\_DONE

| Bits | Bit Name    | Settings | Description  | Reset | Access |
|------|-------------|----------|--|-------|--------|
| 0    | RM_CRC_DONE | 0<br>1   | Register Map CRC Calculation Done.<br>CRC Calculation Not Done.<br>CRC Calculation Done. | 0x0   | R      |

**REGISTER MAP CRC VALUE, BITS[7:0] REGISTER**

Address: 0x088, Reset: 0x0000, Name: RM\_CRC\_VALUE\_L

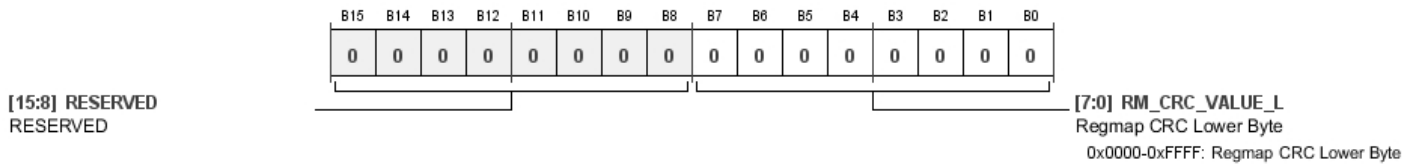


Table 40. Bit Descriptions for RM\_CRC\_VALUE\_L

| Bits  | Bit Name       | Settings         | Description            | Reset | Access |
|-------|----------------|------------------|------------------------|-------|--------|
| [7:0] | RM_CRC_VALUE_L | 0x0000 to 0xFFFF | Regmap CRC Lower Byte. | 0x0   | R      |

**REGISTER MAP CRC VALUE, BITS[15:8] REGISTER**

Address: 0x089, Reset: 0x0000, Name: RM\_CRC\_VALUE\_H

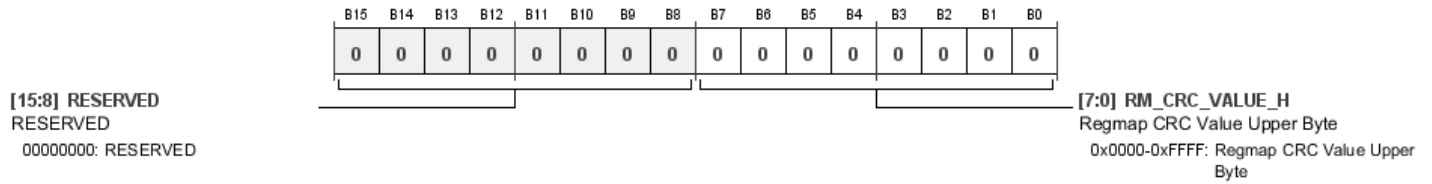


Table 41. Bit Descriptions for RM\_CRC\_VALUE\_H

| Bits  | Bit Name       | Settings         | Description  | Reset | Access |
|-------|----------------|------------------|--|-------|--------|
| [7:0] | RM_CRC_VALUE_H | 0x0000 to 0xFFFF | Regmap CRC Value Upper Byte.<br>Regmap CRC Value Upper Byte. | 0x0   | R      |

**LOW NOISE AMPLIFIER GAIN CONTROL REGISTER**

Address: 0x100, Reset: 0x0000, Name: LNA\_GAIN

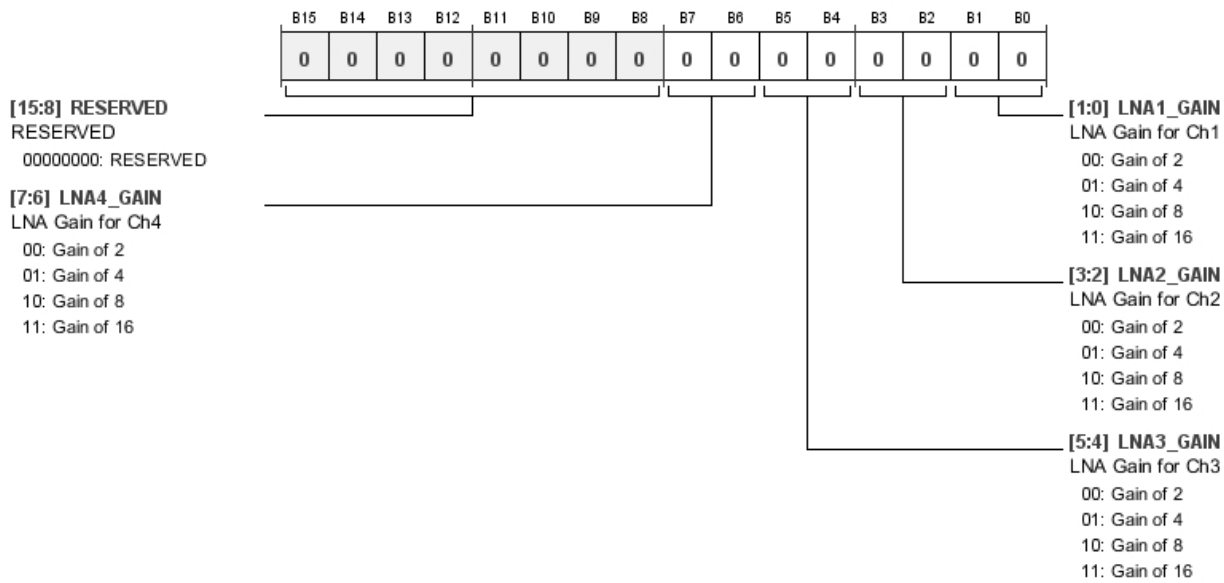


Table 42. Bit Descriptions for LNA\_GAIN

| Bits  | Bit Name  | Settings             | Description  | Reset | Access |
|-------|-----------|----------------------|--|-------|--------|
| [7:6] | LNA4_GAIN | 00<br>01<br>10<br>11 | LNA Gain for Channel 4.<br>Gain of 2.<br>Gain of 4.<br>Gain of 8.<br>Gain of 16. | 0x0   | RW     |
| [5:4] | LNA3_GAIN | 00<br>01<br>10<br>11 | LNA Gain for Channel 3.<br>Gain of 2.<br>Gain of 4.<br>Gain of 8.<br>Gain of 16. | 0x0   | RW     |

| Bits  | Bit Name  | Settings             | Description  | Reset | Access |
|-------|-----------|----------------------|--|-------|--------|
| [3:2] | LNA2_GAIN | 00<br>01<br>10<br>11 | LNA Gain for Channel 2.<br>Gain of 2.<br>Gain of 4.<br>Gain of 8.<br>Gain of 16. | 0x0   | RW     |
| [1:0] | LNA1_GAIN | 00<br>01<br>10<br>11 | LNA Gain for Channel 1.<br>Gain of 2.<br>Gain of 4.<br>Gain of 8.<br>Gain of 16. | 0x0   | RW     |

**PROGRAMMABLE GAIN AMPLIFIER GAIN CONTROL REGISTER**

Address: 0x101, Reset: 0x0000, Name: PGA\_GAIN

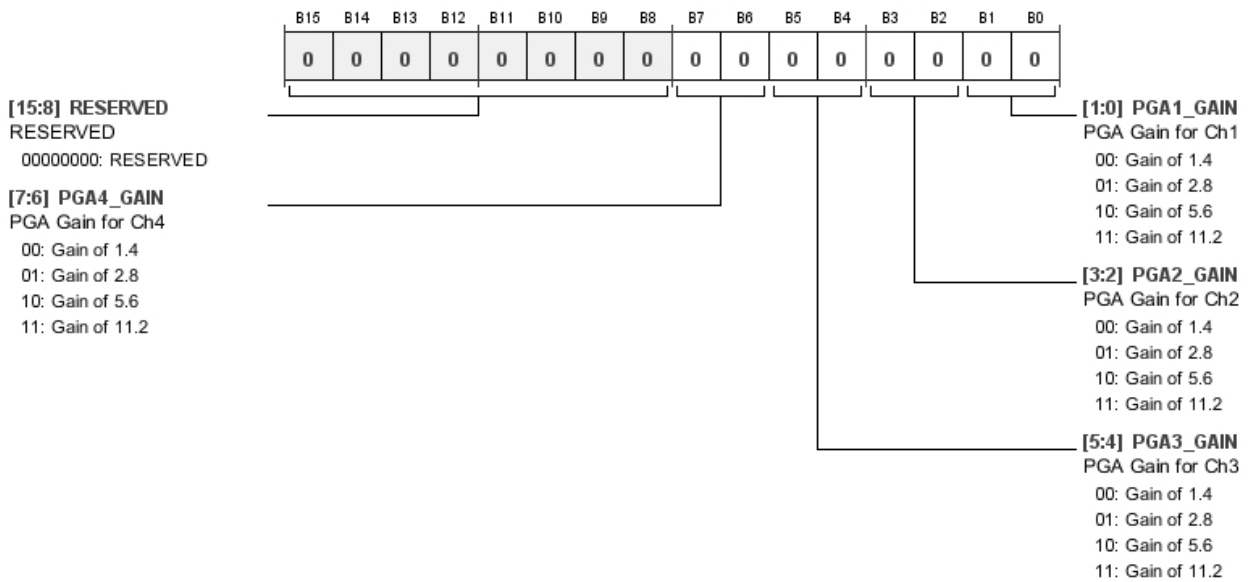


Table 43. Bit Descriptions for PGA\_GAIN

| Bits  | Bit Name  | Settings             | Description  | Reset | Access |
|-------|-----------|----------------------|--|-------|--------|
| [7:6] | PGA4_GAIN | 00<br>01<br>10<br>11 | PGA Gain for Channel 4.<br>Gain of 1.4.<br>Gain of 2.8.<br>Gain of 5.6.<br>Gain of 11.2. | 0x0   | RW     |
| [5:4] | PGA3_GAIN | 00<br>01<br>10<br>11 | PGA Gain for Channel 3.<br>Gain of 1.4.<br>Gain of 2.8.<br>Gain of 5.6.<br>Gain of 11.2. | 0x0   | RW     |
| [3:2] | PGA2_GAIN | 00<br>01<br>10<br>11 | PGA Gain for Channel 2.<br>Gain of 1.4.<br>Gain of 2.8.<br>Gain of 5.6.<br>Gain of 11.2. | 0x0   | RW     |

| Bits  | Bit Name  | Settings             | Description  | Reset | Access |
|-------|-----------|----------------------|--|-------|--------|
| [1:0] | PGA1_GAIN | 00<br>01<br>10<br>11 | PGA Gain for Channel 1.<br>Gain of 1.4.<br>Gain of 2.8.<br>Gain of 5.6.<br>Gain of 11.2. | 0x0   | RW     |

## SIGNAL PATH FOR ADC 1 THROUGH ADC 4 REGISTER

Address: 0x102, Reset: 0x2222, Name: ADC\_ROUTING1\_4

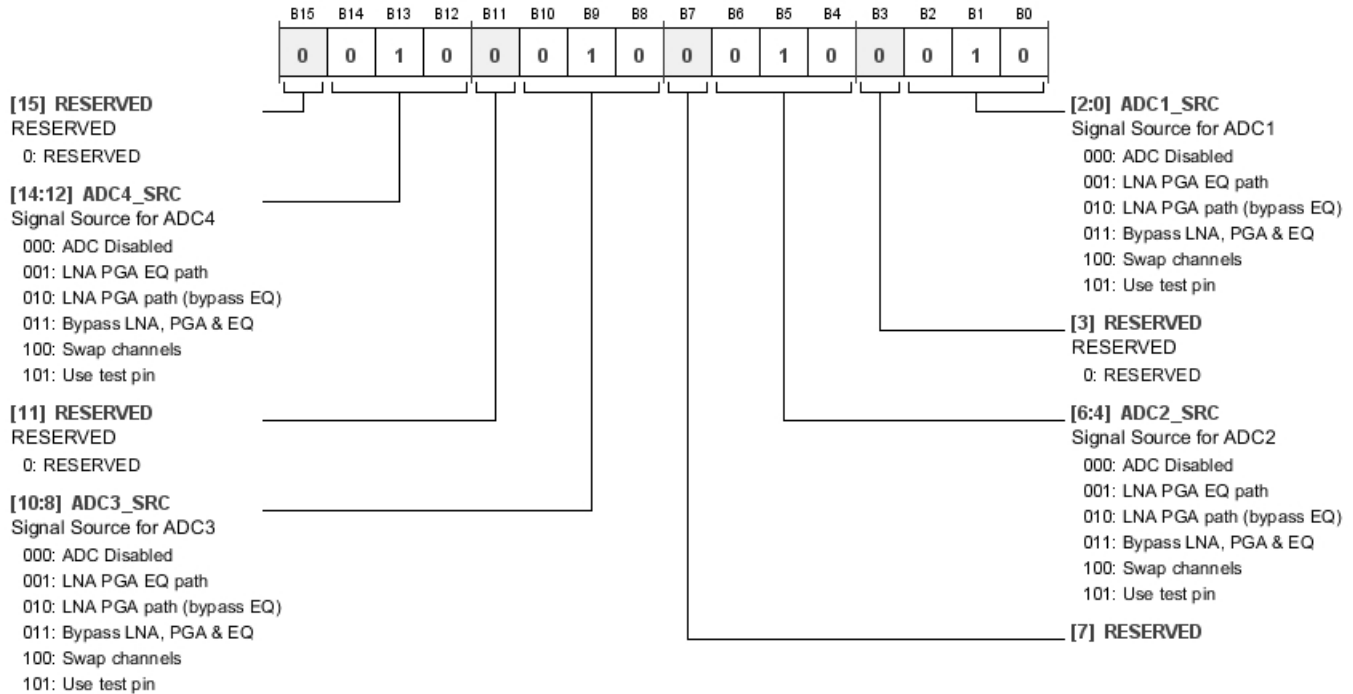


Table 44. Bit Descriptions for ADC\_ROUTING1\_4

| Bits    | Bit Name | Settings                               | Description  | Reset | Access |
|---------|----------|--|--|-------|--------|
| [14:12] | ADC4_SRC | 000<br>001<br>010<br>011<br>100<br>101 | Signal Source for ADC4.<br>ADC Disabled.<br>LNA PGA EQ Path.<br>LNA PGA Path (Bypass EQ).<br>Bypass LNA, PGA, and EQ.<br>Swap Channels.<br>Use Test Pin. | 0x2   | RW     |
| [10:8]  | ADC3_SRC | 000<br>001<br>010<br>011<br>100<br>101 | Signal Source for ADC3.<br>ADC Disabled.<br>LNA PGA EQ Path.<br>LNA PGA Path (Bypass EQ).<br>Bypass LNA, PGA, and EQ.<br>Swap Channels.<br>Use Test Pin. | 0x2   | RW     |



| Bits  | Bit Name | Settings  | Description             | Reset | Access |
|-------|----------|---|-------------------------|-------|--------|
| [6:4] | ADC2_SRC | 000 ADC Disabled.<br>001 LNA PGA EQ Path.<br>010 LNA PGA Path (Bypass EQ).<br>011 Bypass LNA, PGA, and EQ.<br>100 Swap Channels.<br>101 Use Test Pin. | Signal Source for ADC2. | 0x2   | RW     |
| [2:0] | ADC1_SRC | 000 ADC Disabled.<br>001 LNA PGA EQ Path.<br>010 LNA PGA Path (Bypass EQ).<br>011 Bypass LNA, PGA, and EQ.<br>100 Swap Channels.<br>101 Use Test Pin. | Signal Source for ADC1. | 0x2   | RW     |

**DECIMATOR RATE CONTROL REGISTER**

Address: 0x140, Reset: 0x0003, Name: DECIM\_RATE

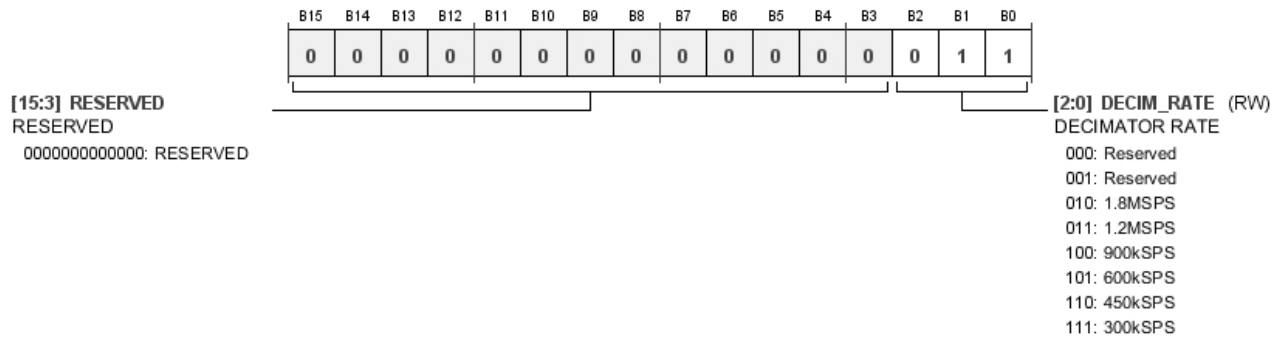


Table 45. Bit Descriptions for DECIM\_RATE

| Bits  | Bit Name   | Settings   | Description     | Reset | Access |
|-------|------------|--|-----------------|-------|--------|
| [2:0] | DECIM_RATE | 000 Reserved.<br>001 Reserved.<br>010 1.8 MSPS.<br>011 1.2 MSPS.<br>100 900 kSPS.<br>101 600 kSPS.<br>110 450 kSPS.<br>111 300 kSPS. | Decimator Rate. | 0x3   | RW     |

**HIGH PASS FILTER CONTROL REGISTER**

Address: 0x141, Reset: 0x0018, Name: HIGH\_PASS

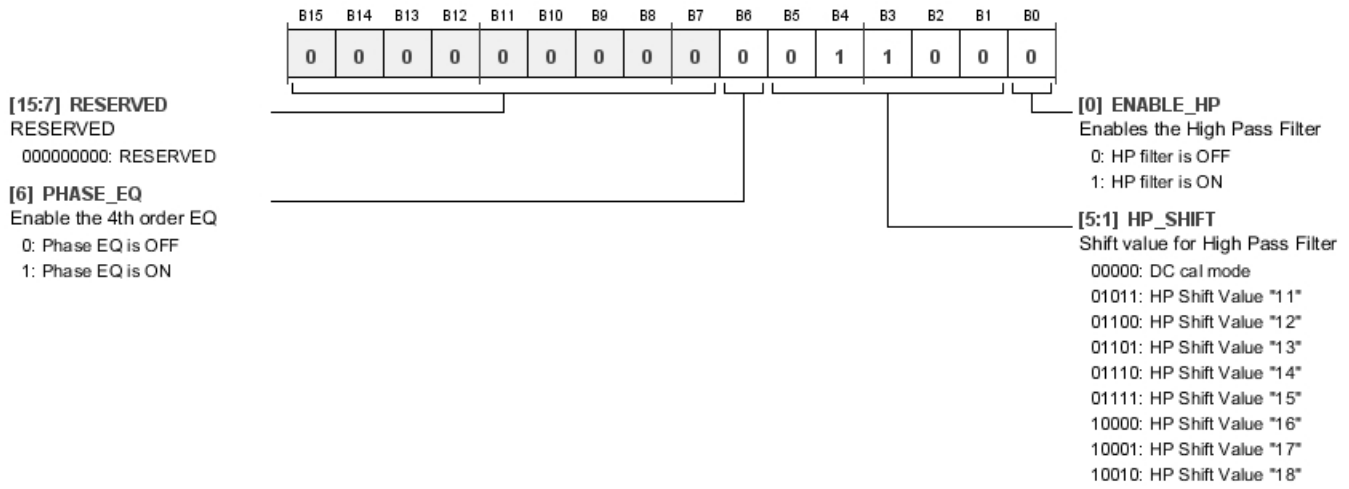


Table 46. Bit Descriptions for HIGH\_PASS

| Bits  | Bit Name  | Settings  | Description   | Reset | Access |
|-------|-----------|---|---|-------|--------|
| 6     | PHASE_EQ  | 0<br>1  | Enable the 4 <sup>th</sup> -Order EQ.<br>Phase EQ is Off.<br>Phase EQ is On.  | 0x0   | RW     |
| [5:1] | HP_SHIFT  | 00000<br>01011<br>01100<br>01101<br>01110<br>01111<br>10000<br>10001<br>10010 | Shift Value for High-Pass Filter.<br>DC Cal Mode.<br>HP Shift Value 11.<br>HP Shift Value 12.<br>HP Shift Value 13.<br>HP Shift Value 14.<br>HP Shift Value 15.<br>HP Shift Value 16.<br>HP Shift Value 17.<br>HP Shift Value 18. | 0x0C  | RW     |
| 0     | ENABLE_HP | 0<br>1  | Enables the High-Pass Filter.<br>HP Filter is Off.<br>HP Filter is On.  | 0x0   | RW     |

**DAQ MODE CONTROL REGISTER**

Address: 0x143, Reset: 0x0000, Name: ACK\_MODE

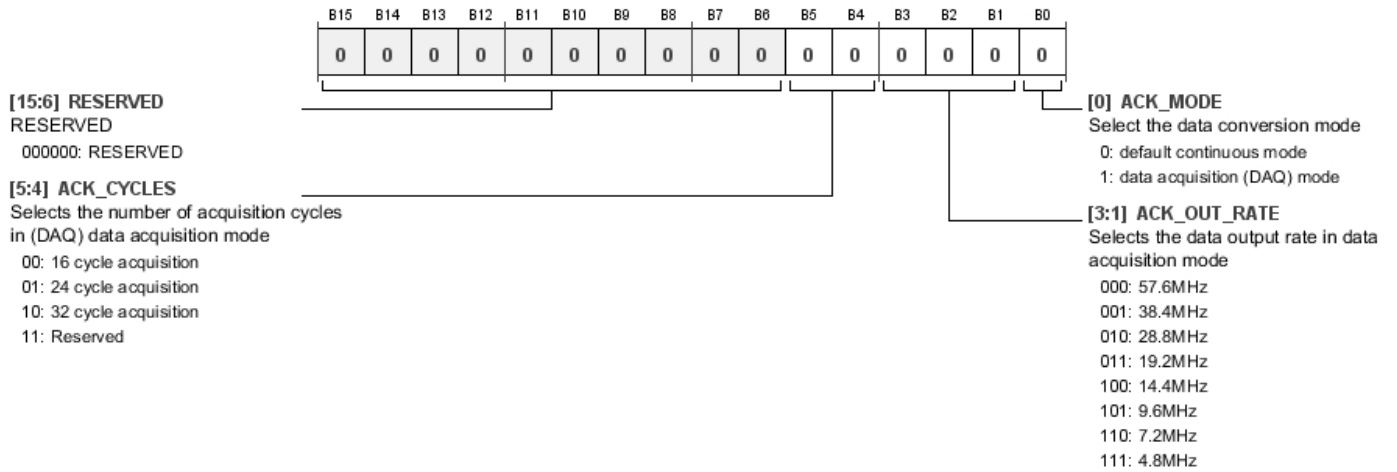


Table 47. Bit Descriptions for ACK\_MODE

| Bits  | Bit Name     | Settings   | Description  | Reset | Access |
|-------|--------------|--|--|-------|--------|
| [5:4] | ACK_CYCLES   | 00<br>01<br>10<br>11                                 | Selects the Number of Acquisition Cycles in DAQ Mode.<br>16-Cycle Acquisition.<br>24-Cycle Acquisition.<br>32-Cycle Acquisition.<br>Reserved.  | 0x0   | RW     |
| [3:1] | ACK_OUT_RATE | 000<br>001<br>010<br>011<br>100<br>101<br>110<br>111 | Selects the Data Output Rate in DAQ Mode.<br>57.6 MHz.<br>38.4 MHz.<br>28.8 MHz.<br>19.2 MHz.<br>14.4 MHz.<br>9.6 MHz.<br>7.2 MHz.<br>4.8 MHz. | 0x0   | RW     |
| 0     | ACK_MODE     | 0<br>1   | Selects the Data Conversion Mode.<br>Default Continuous Mode.<br>DAQ Mode.   | 0x0   | RW     |

**DECIMATOR TRUNCATE CONTROL REGISTER**

Address: 0x144, Reset: 0x0002, Name: TRUNCATE\_MODE

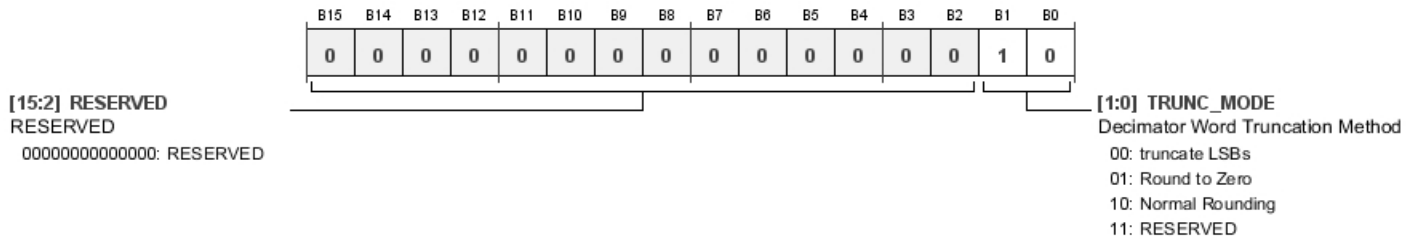


Table 48. Bit Descriptions for TRUNCATE\_MODE

| Bits  | Bit Name   | Settings | Description                       | Reset | Access |
|-------|------------|----------|-----------------------------------|-------|--------|
| [1:0] | TRUNC_MODE |          | Decimator Word Truncation Method. | 0x2   | RW     |
|       |            | 00       | Truncate LSBs.                    |       |        |
|       |            | 01       | Round to Zero.                    |       |        |
|       |            | 10       | Normal Rounding.                  |       |        |
|       |            | 11       | Reserved.                         |       |        |

**SERIAL OUTPUT PORT CONTROL REGISTER**

Address: 0x1C0, Reset: 0x0000, Name: SERIAL\_MODE

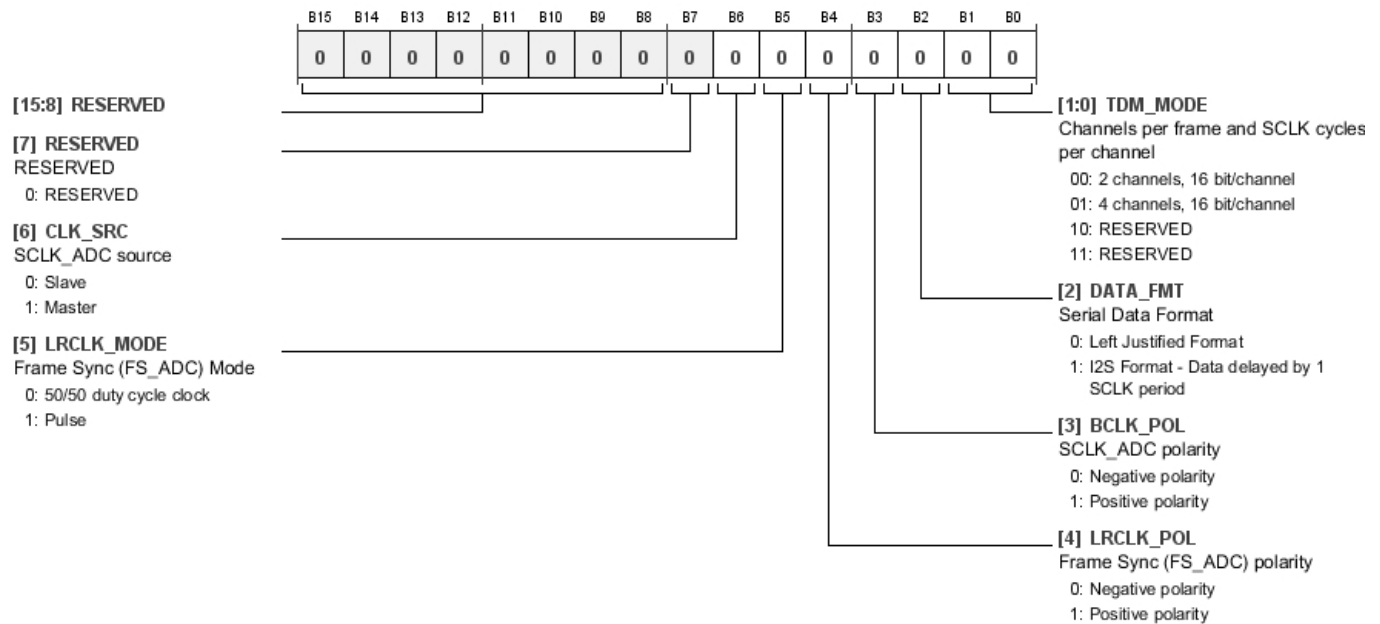


Table 49. Bit Descriptions for SERIAL\_MODE

| Bits | Bit Name   | Settings | Description               | Reset | Access |
|------|------------|----------|---------------------------|-------|--------|
| 6    | CLK_SRC    |          | SCLK_ADC Source.          | 0x0   | RW     |
|      |            | 0        | Slave.                    |       |        |
|      |            | 1        | Master.                   |       |        |
| 5    | LRCLK_MODE |          | Frame Sync (FS_ADC) Mode. | 0x0   | RW     |
|      |            | 0        | 50/50 Duty Cycle Clock.   |       |        |
|      |            | 1        | Pulse.                    |       |        |

| Bits  | Bit Name  | Settings             | Description   | Reset | Access |
|-------|-----------|----------------------|---|-------|--------|
| 4     | LRCLK_POL | 0<br>1               | Frame Sync (FS_ADC) Polarity.<br>Negative Polarity.<br>Positive Polarity.   | 0x0   | RW     |
| 3     | BCLK_POL  | 0<br>1               | SCLK_ADC Polarity.<br>Negative Polarity.<br>Positive Polarity.  | 0x0   | RW     |
| 2     | DATA_FMT  | 0<br>1               | Serial Data Format.<br>Left Justified Format.<br>I2S Format—Data Delayed by 1 SCLK Period.  | 0x0   | RW     |
| [1:0] | TDM_MODE  | 00<br>01<br>10<br>11 | Channels per Frame and SCLK Cycles per Channel.<br>2 Channels, 16 Bits per Channel.<br>4 Channels, 16 Bits per Channel.<br>Reserved.<br>Reserved. | 0x0   | RW     |

**PARALLEL PORT CONTROL REGISTER**

Address: 0x1C1, Reset: 0x0000, Name: PARALLEL\_MODE

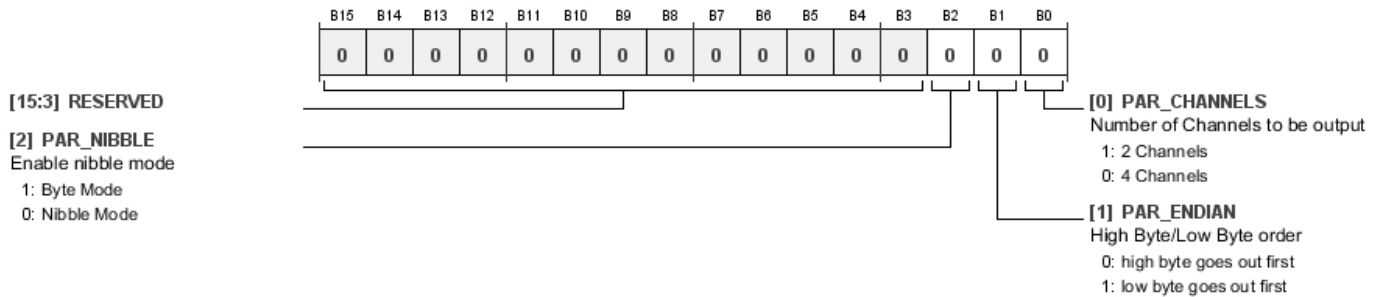


Table 50. Bit Descriptions for PARALLEL\_MODE

| Bits | Bit Name     | Settings | Description  | Reset | Access |
|------|--------------|----------|--|-------|--------|
| 2    | PAR_NIBBLE   | 1<br>0   | Enable Nibble Mode.<br>Byte Mode.<br>Nibble Mode.                                  | 0x0   | RW     |
| 1    | PAR_ENDIAN   | 0<br>1   | High Byte/Low Byte Order.<br>High Byte Goes Out First.<br>Low Byte Goes Out First. | 0x0   | RW     |
| 0    | PAR_CHANNELS | 1<br>0   | Number of Channels to be Output.<br>2 Channels.<br>4 Channels.                     | 0x0   | RW     |

**ADC DIGITAL OUTPUT MODE REGISTER**

Address: 0x1C2, Reset: 0x0000, Name: OUTPUT\_MODE

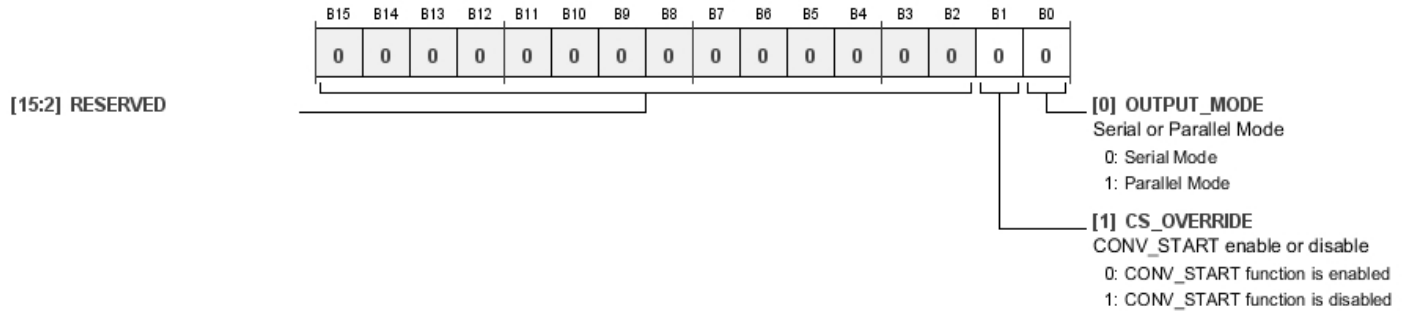


Table 51. Bit Descriptions for OUTPUT\_MODE

| Bits | Bit Name    | Settings | Description  | Reset | Access |
|------|-------------|----------|--|-------|--------|
| 1    | CS_OVERRIDE | 0<br>1   | CONV_START Enable or Disable.<br>CONV_START Function is Enabled<br>CONV_START Function is Disabled | 0x0   | RW     |
| 0    | OUTPUT_MODE | 0<br>1   | Serial or Parallel Mode.<br>Serial Mode<br>Parallel Mode   | 0x0   | RW     |

**AUXILIARY ADC READ VALUE REGISTERS**

Address: 0x200, Reset: 0x0000, Name: ADC\_READ0

This register contains the output data of the auxiliary ADC for the given channel. Each of the two channels are updated once per sample frame.

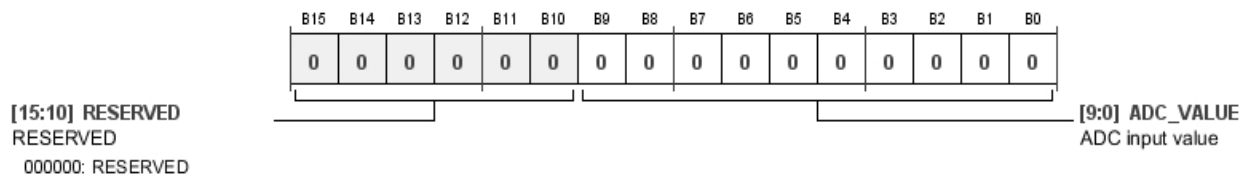


Table 52. Bit Descriptions for ADC\_READ0

| Bits  | Bit Name  | Settings | Description  | Reset | Access |
|-------|-----------|----------|--|-------|--------|
| [9:0] | ADC_VALUE |          | ADC Input Value. Instantaneous value of the sampled data on the ADC input. | 0x000 | RW     |

Address: 0x201, Reset: 0x0000, Name: ADC\_READ1

This register contains the output data of the auxiliary ADC for the given channel. Each of the two channels are updated once per sample frame.

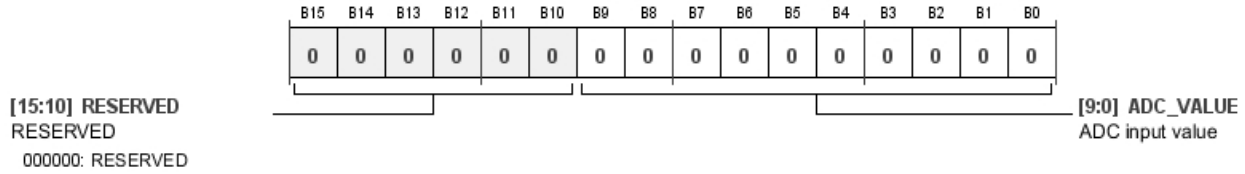


Table 53. Bit Descriptions for ADC\_READ1

| Bits  | Bit Name  | Settings | Description  | Reset | Access |
|-------|-----------|----------|--|-------|--------|
| [9:0] | ADC_VALUE |          | ADC Input Value. Instantaneous value of the sampled data on the ADC input. | 0x000 | RW     |

**AUXILIARY ADC SAMPLE RATE SELECTION REGISTER**

Address: 0x210, Reset: 0x0000, Name: ADC\_SPEED

This register sets the sample rate for the auxiliary ADCs.

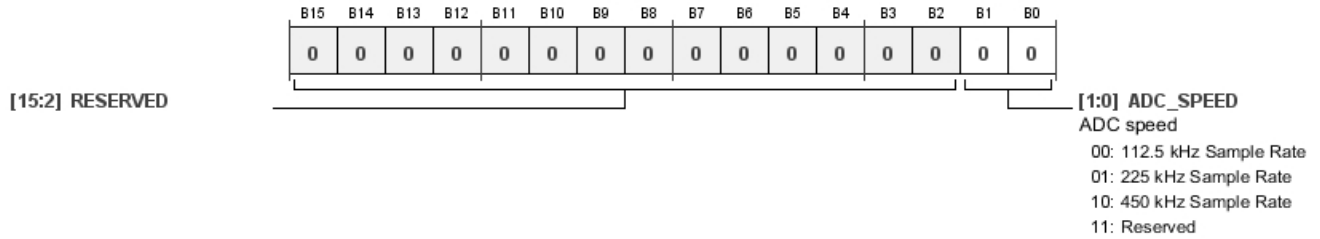


Table 54. Bit Descriptions for ADC\_SPEED

| Bits  | Bit Name  | Settings | Description   | Reset | Access |
|-------|-----------|----------|---|-------|--------|
| [1:0] | ADC_SPEED |          | ADC Speed. Test register allowing the auxiliary ADCs to be sampled at double rate or half rate. | 0x0   | RW     |
|       |           | 00       | 112.5 kHz Sample Rate.  |       |        |
|       |           | 01       | 225 kHz Sample Rate.  |       |        |
|       |           | 10       | 450 kHz Sample Rate.  |       |        |
|       |           | 11       | Reserved.   |       |        |

## AUXILIARY ADC MODE REGISTER

Address: 0x211, Reset: 0x0000, Name: ADC\_MODE

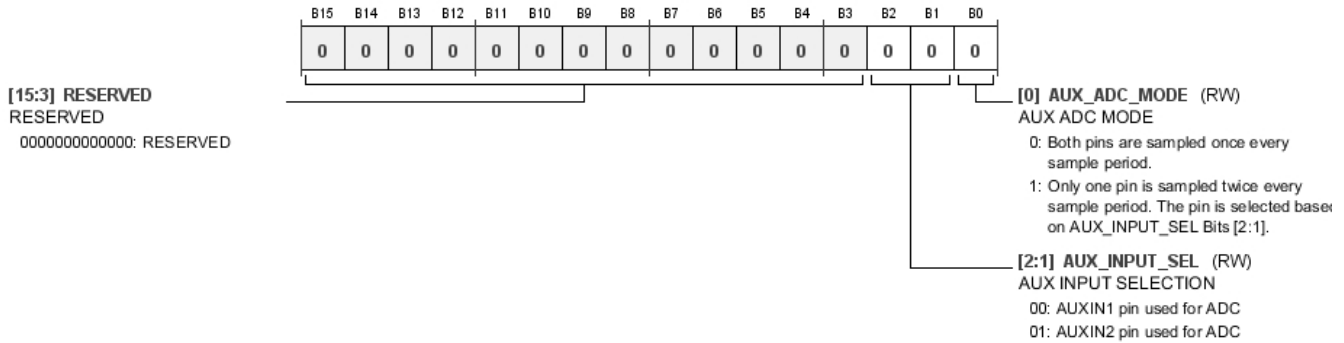


Table 55. Bit Descriptions for ADC\_MODE

| Bits  | Bit Name      | Settings | Description  | Reset | Access |
|-------|---------------|----------|--|-------|--------|
| [2:1] | AUX_INPUT_SEL | 00<br>01 | AUX Input Selection.<br>AUXIN1 pin used for ADC<br>AUXIN2 pin used for ADC   | 0x0   | RW     |
| 0     | AUX_ADC_MODE  | 0<br>1   | AUX ADC Mode.<br>Both pins are sampled once every sample period.<br>Only one pin is sampled twice every sample period. The pin is selected based on AUX_INPUT_SEL Bits[2:1]. | 0x0   | RW     |

## MPX PIN MODES REGISTERS

Address: 0x250, Reset: 0x0000, Name: MP0\_MODE

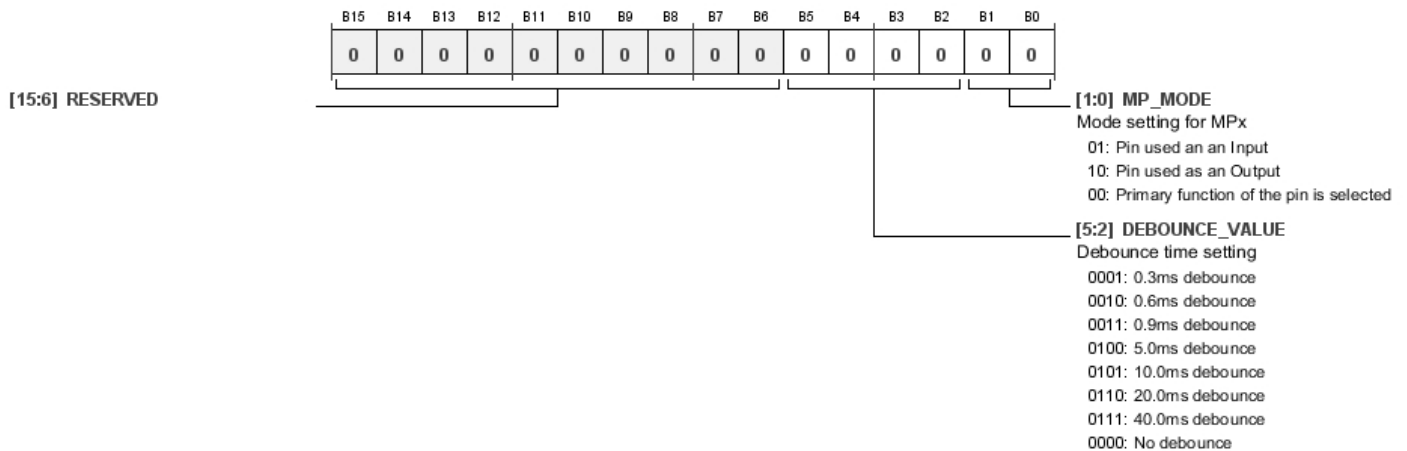


Table 56. Bit Descriptions for MP0\_MODE

| Bits  | Bit Name       | Settings                                     | Description  | Reset | Access |
|-------|----------------|--|--|-------|--------|
| [5:2] | DEBOUNCE_VALUE | 0001<br>0010<br>0011<br>0100<br>0101<br>0110 | Debounce Time Setting.<br>0.3 ms Debounce.<br>0.6 ms Debounce.<br>0.9 ms Debounce.<br>5.0 ms Debounce.<br>10.0 ms Debounce.<br>20.0 ms Debounce. | 0x0   | RW     |



| Bits  | Bit Name | Settings       | Description   | Reset | Access |
|-------|----------|----------------|---|-------|--------|
|       |          | 0111<br>0000   | 40.0 ms Debounce.<br>No Debounce.   |       |        |
| [1:0] | MP_MODE  | 01<br>10<br>00 | Mode Setting for MP.<br>Pin Used as an Input.<br>Pin Used as an Output.<br>Primary Function of the Pin is Selected. | 0x0   | RW     |

Address: 0x251, Reset: 0x0000, Name: MP1\_MODE

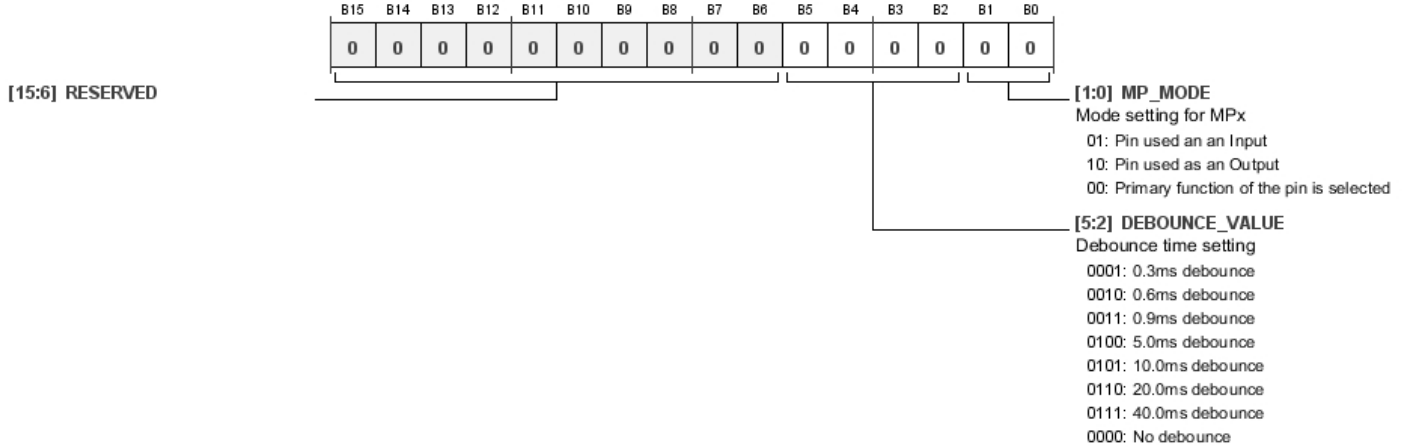


Table 57. Bit Descriptions for MP1\_MODE

| Bits  | Bit Name       | Settings   | Description   | Reset | Access |
|-------|----------------|--|---|-------|--------|
| [5:2] | DEBOUNCE_VALUE | 0001<br>0010<br>0011<br>0100<br>0101<br>0110<br>0111<br>0000 | Debounce Time Setting.<br>0.3 ms Debounce.<br>0.6 ms Debounce.<br>0.9 ms Debounce.<br>5.0 ms Debounce.<br>10.0 ms Debounce.<br>20.0 ms Debounce.<br>40.0 ms Debounce.<br>No Debounce. | 0x0   | RW     |
| [1:0] | MP_MODE        | 01<br>10<br>00   | Mode setting for MP.<br>Pin Used as an Input.<br>Pin Used as an Output.<br>Primary Function of the Pin is Selected.   | 0x0   | RW     |

## MP WRITE VALUE REGISTERS

Address: 0x260, Reset: 0x0000, Name: MP0\_WRITE

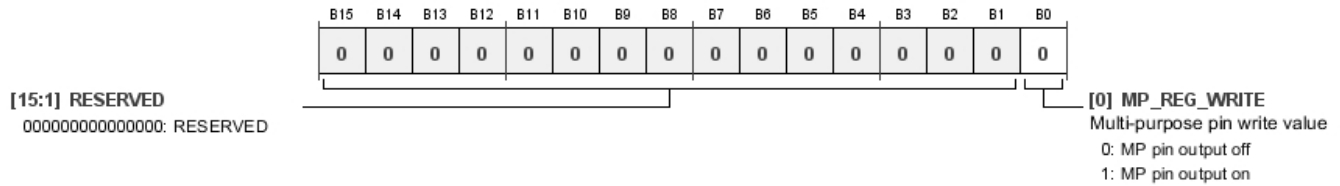


Table 58. Bit Descriptions for MP0\_WRITE

| Bits | Bit Name     | Settings | Description  | Reset | Access |
|------|--------------|----------|--|-------|--------|
| 0    | MP_REG_WRITE | 0<br>1   | Multipurpose Pin Write Value.<br>MP Pin Output Off.<br>MP Pin Output On. | 0x0   | W      |

Address: 0x261, Reset: 0x0000, Name: MP1\_WRITE

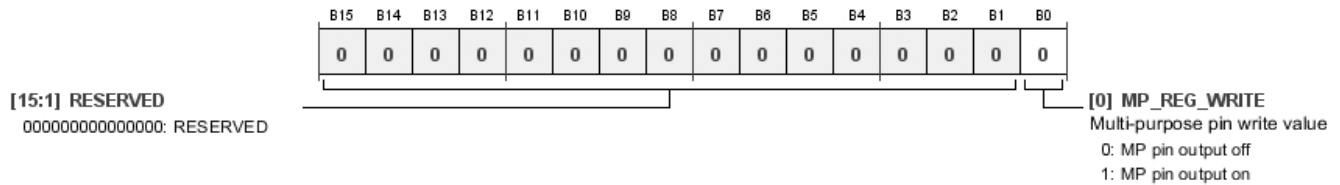


Table 59. Bit Descriptions for MP1\_WRITE

| Bits | Bit Name     | Settings | Description  | Reset | Access |
|------|--------------|----------|--|-------|--------|
| 0    | MP_REG_WRITE | 0<br>1   | Multipurpose Pin Write Value.<br>MP Pin Output Off.<br>MP Pin Output On. | 0x0   | W      |

## MP READ VALUE REGISTERS

Address: 0x270, Reset: 0x0000, Name: MP0\_READ

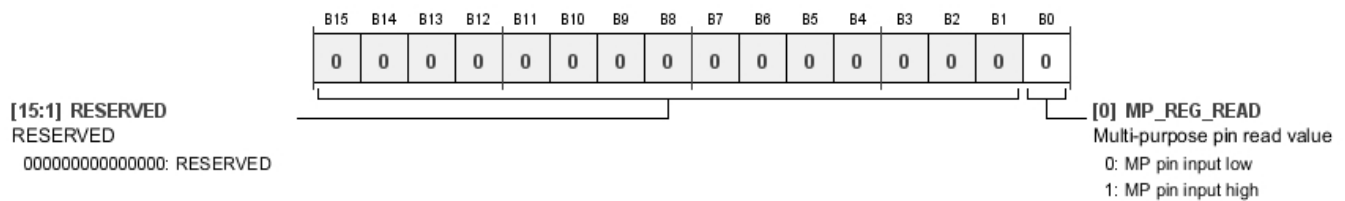


Table 60. Bit Descriptions for MP0\_READ

| Bits | Bit Name    | Settings | Description   | Reset | Access |
|------|-------------|----------|---|-------|--------|
| 0    | MP_REG_READ | 0<br>1   | Multipurpose Pin Read Value.<br>MP Pin Input Low.<br>MP Pin Input High. | 0x0   | R      |

Address: 0x271, Reset: 0x0000, Name: MPI\_READ

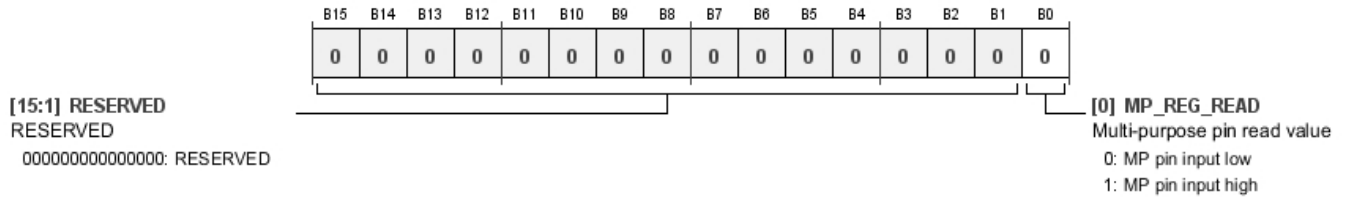


Table 61. Bit Descriptions for MPI\_READ

| Bits | Bit Name    | Settings | Description   | Reset | Access |
|------|-------------|----------|---|-------|--------|
| 0    | MP_REG_READ |          | Multipurpose Pin Read Value.<br>0 MP Pin Input Low.<br>1 MP Pin Input High. | 0x0   | R      |

**SPI\_CLK PIN DRIVE STRENGTH AND SLEW RATE REGISTER**

Address: 0x280, Reset: 0x0000, Name: SPI\_CLK\_PIN

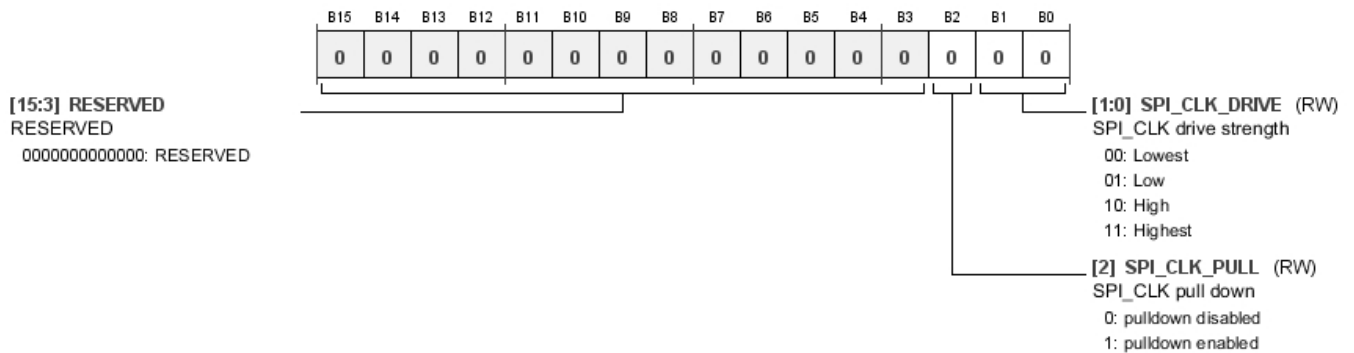


Table 62. Bit Descriptions for SPI\_CLK\_PIN

| Bits  | Bit Name      | Settings | Description   | Reset | Access |
|-------|---------------|----------|---|-------|--------|
| 2     | SPI_CLK_PULL  |          | SPI_CLK Pull-Down.<br>0 Pull-Down Disabled.<br>1 Pull-Down Enabled.         | 0x0   | RW     |
| [1:0] | SPI_CLK_DRIVE |          | SPI_CLK Drive Strength.<br>00 Lowest.<br>01 Low.<br>10 High.<br>11 Highest. | 0x0   | RW     |

**SPI\_MISO PIN DRIVE STRENGTH AND SLEW RATE REGISTER**

Address: 0x281, Reset: 0x0000, Name: MISO\_PIN

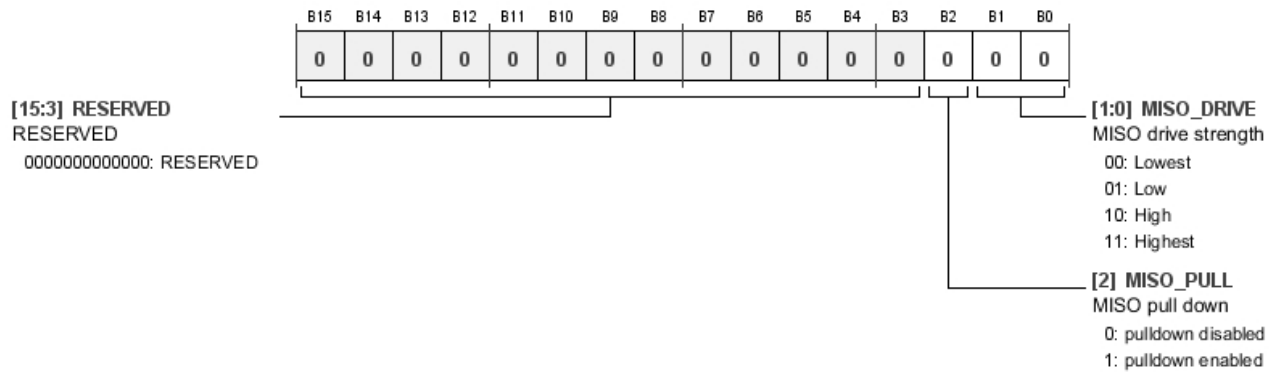


Table 63. Bit Descriptions for MISO\_PIN

| Bits  | Bit Name   | Settings             | Description  | Reset | Access |
|-------|------------|----------------------|--|-------|--------|
| 2     | MISO_PULL  | 0<br>1               | SPI_MISO Pull-Down.<br>Pull-Down Disabled.<br>Pull-Down Enabled. | 0x0   | RW     |
| [1:0] | MISO_DRIVE | 00<br>01<br>10<br>11 | SPI_MISO Drive Strength.<br>Lowest.<br>Low.<br>High.<br>Highest. | 0x0   | RW     |

**SPI\_SS PIN DRIVE STRENGTH AND SLEW RATE REGISTER**

Address: 0x282, Reset: 0x0004, Name: SS\_PIN

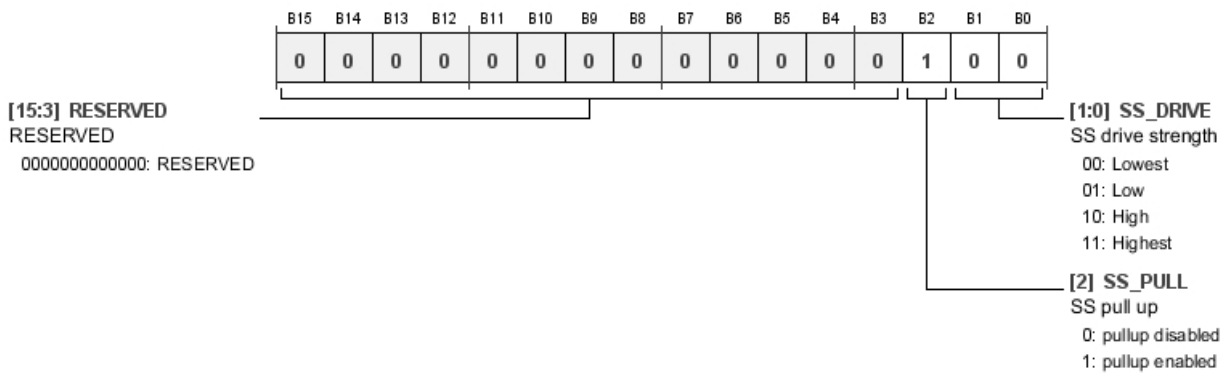


Table 64. Bit Descriptions for SS\_PIN

| Bits | Bit Name | Settings | Description  | Reset | Access |
|------|----------|----------|--|-------|--------|
| 2    | SS_PULL  | 0<br>1   | SPI_SS Pull-Up.<br>Pull-Up Disabled.<br>Pull-Up Enabled. | 0x1   | RW     |

| Bits  | Bit Name | Settings             | Description  | Reset | Access |
|-------|----------|----------------------|--|-------|--------|
| [1:0] | SS_DRIVE | 00<br>01<br>10<br>11 | SPI_SS Drive Strength.<br>Lowest.<br>Low.<br>High.<br>Highest. | 0x0   | RW     |

**SPI\_MOSI PIN DRIVE STRENGTH AND SLEW RATE REGISTER**

Address: 0x283, Reset: 0x0000, Name: MOSI\_PIN

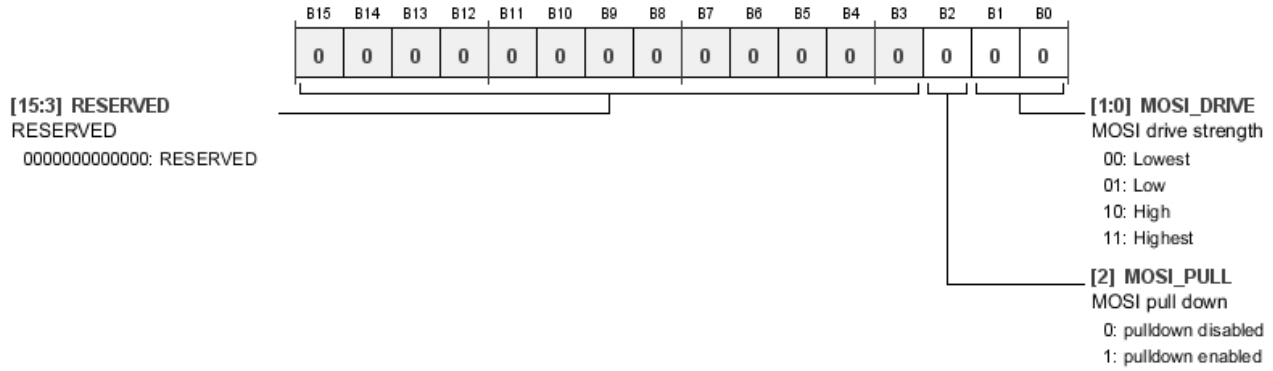


Table 65. Bit Descriptions for MOSI\_PIN

| Bits  | Bit Name   | Settings             | Description  | Reset | Access |
|-------|------------|----------------------|--|-------|--------|
| 2     | MOSI_PULL  | 0<br>1               | SPI_MOSI Pull-Down.<br>Pull-Down Disabled.<br>Pull-Down Enabled. | 0x0   | RW     |
| [1:0] | MOSI_DRIVE | 00<br>01<br>10<br>11 | SPI_MOSI Drive Strength.<br>Lowest.<br>Low.<br>High.<br>Highest. | 0x0   | RW     |

**ADDR15 PIN DRIVE STRENGTH AND SLEW RATE REGISTER**

Address: 0x284, Reset: 0x0000, Name: ADDR15\_PIN

This register also controls the drive strength setting for ADC\_DOUT6 in PPI mode.

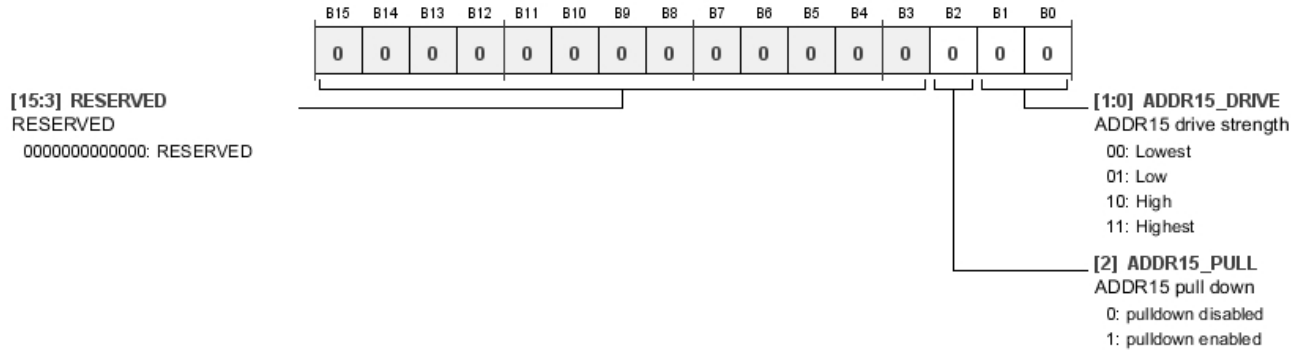


Table 66. Bit Descriptions for ADDR15\_PIN

| Bits  | Bit Name     | Settings             | Description  | Reset | Access |
|-------|--------------|----------------------|--|-------|--------|
| 2     | ADDR15_PULL  | 0<br>1               | ADDR15 Pull-Down.<br>Pull-Down Disabled.<br>Pull-Down Enabled. | 0x0   | RW     |
| [1:0] | ADDR15_DRIVE | 00<br>01<br>10<br>11 | ADDR15 Drive Strength.<br>Lowest.<br>Low.<br>High.<br>Highest. | 0x0   | RW     |

**FAULT PIN DRIVE STRENGTH AND SLEW RATE REGISTER**

Address: 0x285, Reset: 0x0004, Name: FAULT\_PIN

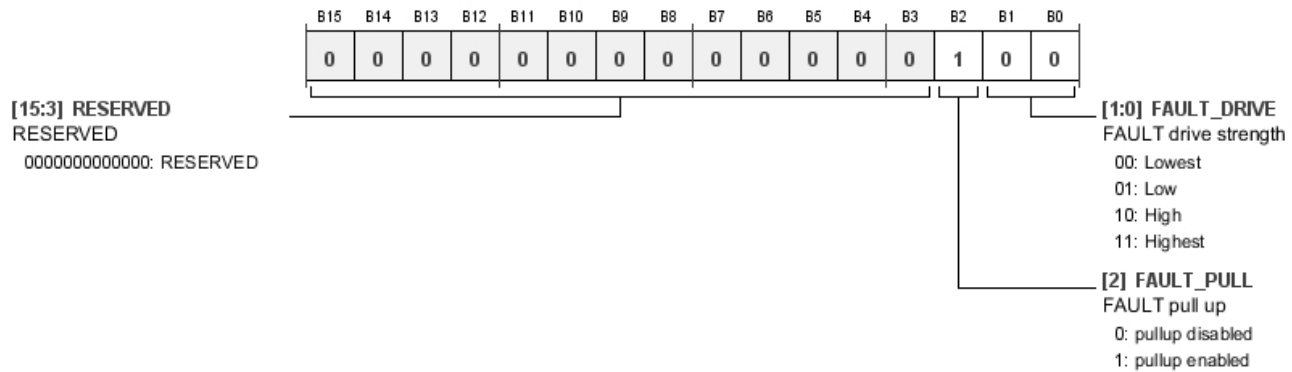


Table 67. Bit Descriptions for FAULT\_PIN

| Bits | Bit Name   | Settings | Description   | Reset | Access |
|------|------------|----------|---|-------|--------|
| 2    | FAULT_PULL | 0<br>1   | FAULT Pull-Up.<br>Pull-Up Disabled.<br>Pull-Up Enabled. | 0x1   | RW     |

| Bits  | Bit Name    | Settings             | Description   | Reset | Access |
|-------|-------------|----------------------|---|-------|--------|
| [1:0] | FAULT_DRIVE | 00<br>01<br>10<br>11 | FAULT Drive Strength.<br>Lowest.<br>Low.<br>High.<br>Highest. | 0x0   | RW     |

**FS\_ADC PIN DRIVE STRENGTH AND SLEW RATE REGISTER**

Address: 0x286, Reset: 0x0000, Name: FS\_ADC\_PIN

This register also controls the drive strength setting for ADC\_DOUT7 in PPI mode.

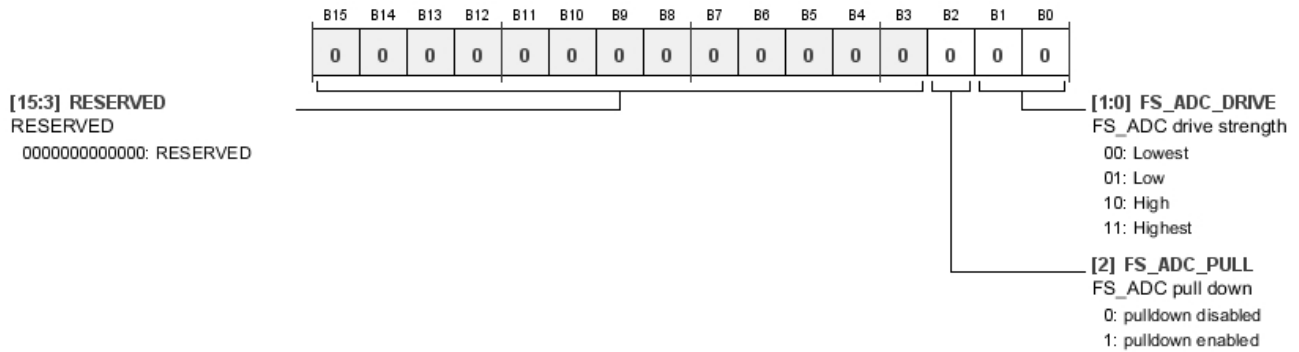


Table 68. Bit Descriptions for FS\_ADC\_PIN

| Bits  | Bit Name     | Settings             | Description  | Reset | Access |
|-------|--------------|----------------------|--|-------|--------|
| 2     | FS_ADC_PULL  | 0<br>1               | FS_ADC Pull-Down.<br>Pull-Down Disabled.<br>Pull-Down Enabled. | 0x0   | RW     |
| [1:0] | FS_ADC_DRIVE | 00<br>01<br>10<br>11 | FS_ADC Drive Strength.<br>Lowest.<br>Low.<br>High.<br>Highest. | 0x0   | RW     |

**CONV\_START PIN DRIVE STRENGTH AND SLEW RATE REGISTER**

Address: 0x287, Reset: 0x0004, Name: CS\_PIN

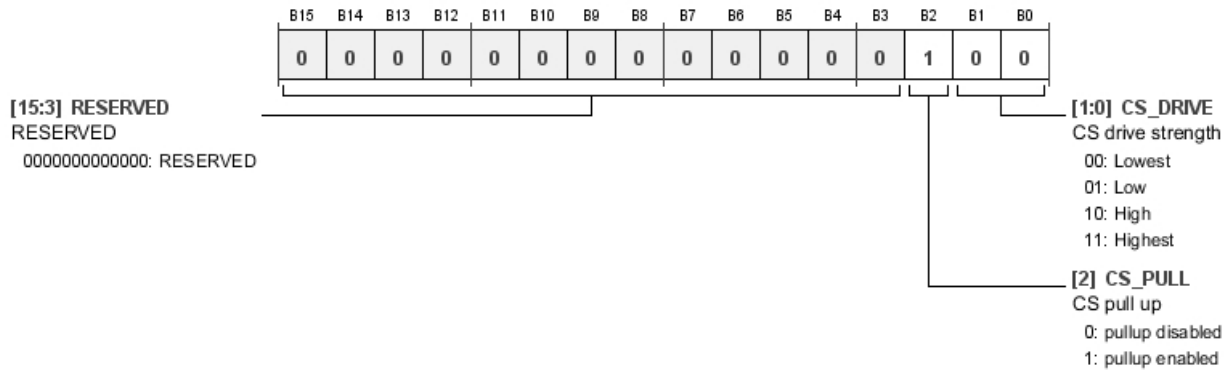


Table 69. Bit Descriptions for CS\_PIN

| Bits  | Bit Name | Settings             | Description  | Reset | Access |
|-------|----------|----------------------|--|-------|--------|
| 2     | CS_PULL  | 0<br>1               | CONV_START Pull-Up.<br>Pull-Up Disabled.<br>Pull-Up Enabled.       | 0x1   | RW     |
| [1:0] | CS_DRIVE | 00<br>01<br>10<br>11 | CONV_START Drive Strength.<br>Lowest.<br>Low.<br>High.<br>Highest. | 0x0   | RW     |

**SCLK\_ADC PIN DRIVE STRENGTH AND SLEW RATE REGISTER**

Address: 0x288, Reset: 0x0000, Name: SCLK\_ADC\_PIN

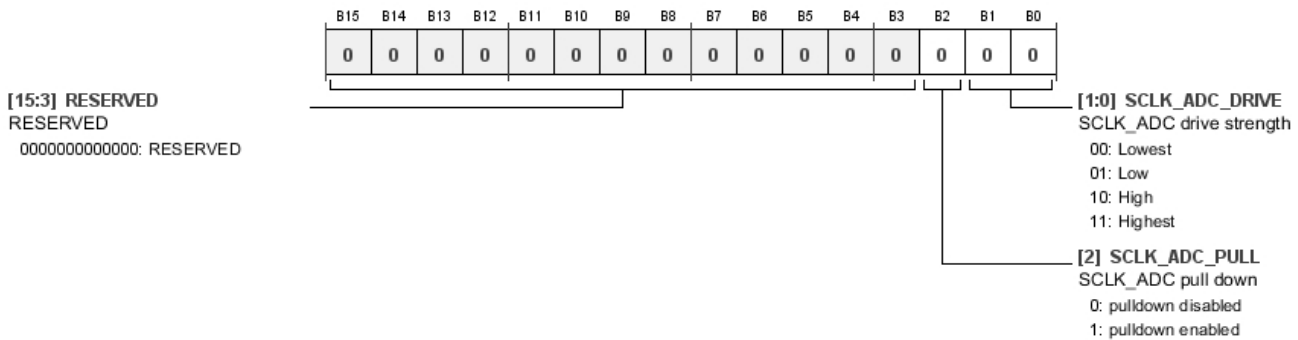


Table 70. Bit Descriptions for SCLK\_ADC\_PIN

| Bits  | Bit Name       | Settings             | Description  | Reset | Access |
|-------|----------------|----------------------|--|-------|--------|
| 2     | SCLK_ADC_PULL  | 0<br>1               | SCLK_ADC Pull-Down.<br>Pull-Down Disabled.<br>Pull-Down Enabled. | 0x0   | RW     |
| [1:0] | SCLK_ADC_DRIVE | 00<br>01<br>10<br>11 | SCLK_ADC Drive Strength.<br>Lowest.<br>Low.<br>High.<br>Highest. | 0x0   | RW     |



**ADC\_DOUTX PINS DRIVE STRENGTH AND SLEW RATE REGISTERS**

The following registers refer to the ADC\_DOUTx pins. This range includes ADC\_DOUT0 through ADC\_DOUT5. For Bits[1:0] and Bit 2 in Table 71 through Table 76, ADC\_DOUT refers to the ADC\_DOUTx pin defined by the register name.

Address: 0x289, Reset: 0x0000, Name: ADC\_DOUT0\_PIN

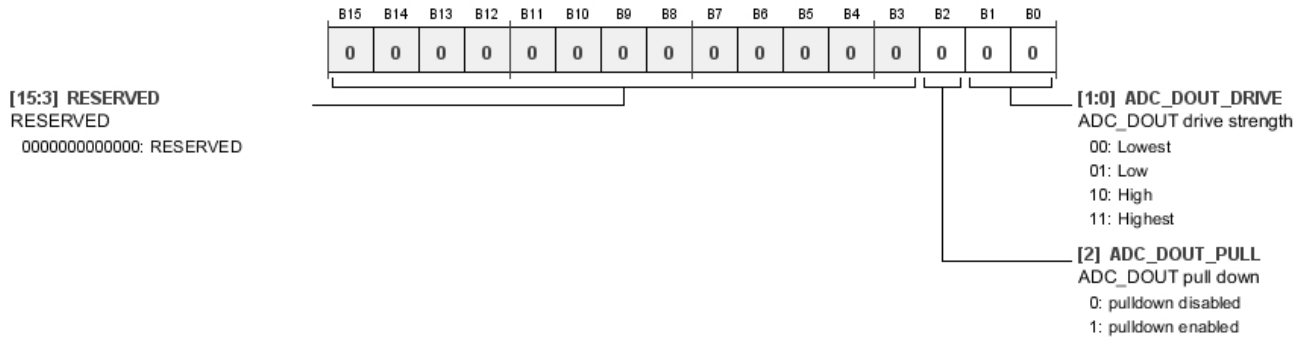


Table 71. Bit Descriptions for ADC\_DOUT0\_PIN

| Bits  | Bit Name       | Settings             | Description  | Reset | Access |
|-------|----------------|----------------------|--|-------|--------|
| 2     | ADC_DOUT_PULL  | 0<br>1               | ADC_DOUT Pull-Down.<br>Pull-Down Disabled.<br>Pull-Down Enabled. | 0x0   | RW     |
| [1:0] | ADC_DOUT_DRIVE | 00<br>01<br>10<br>11 | ADC_DOUT Drive Strength.<br>Lowest.<br>Low.<br>High.<br>Highest. | 0x0   | RW     |

Address: 0x28A, Reset: 0x0000, Name: ADC\_DOUT1\_PIN

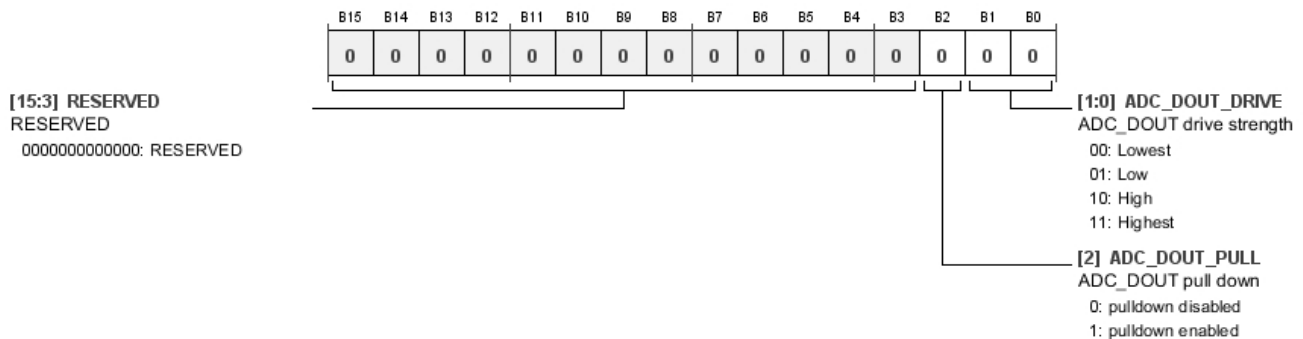


Table 72. Bit Descriptions for ADC\_DOUT1\_PIN

| Bits  | Bit Name       | Settings             | Description  | Reset | Access |
|-------|----------------|----------------------|--|-------|--------|
| 2     | ADC_DOUT_PULL  | 0<br>1               | ADC_DOUT Pull-Down.<br>Pull-Down Disabled.<br>Pull-Down Enabled. | 0x0   | RW     |
| [1:0] | ADC_DOUT_DRIVE | 00<br>01<br>10<br>11 | ADC_DOUT Drive Strength.<br>Lowest.<br>Low.<br>High.<br>Highest. | 0x0   | RW     |

Address: 0x28B, Reset: 0x0000, Name: ADC\_DOUT2\_PIN

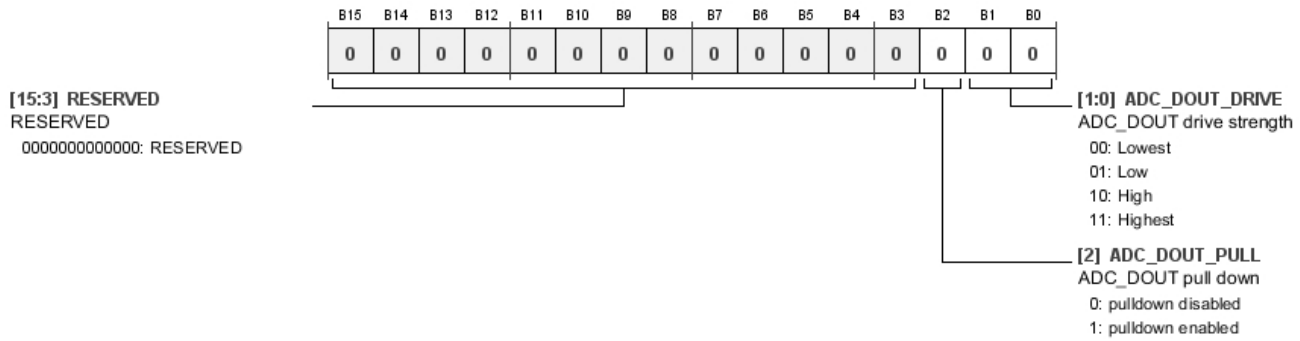


Table 73. Bit Descriptions for ADC\_DOUT2\_PIN

| Bits  | Bit Name       | Settings             | Description  | Reset | Access |
|-------|----------------|----------------------|--|-------|--------|
| 2     | ADC_DOUT_PULL  | 0<br>1               | ADC_DOUT Pull-Down.<br>Pull-Down Disabled.<br>Pull-Down Enabled. | 0x0   | RW     |
| [1:0] | ADC_DOUT_DRIVE | 00<br>01<br>10<br>11 | ADC_DOUT Drive Strength.<br>Lowest.<br>Low.<br>High.<br>Highest. | 0x0   | RW     |

Address: 0x28C, Reset: 0x0000, Name: ADC\_DOUT3\_PIN

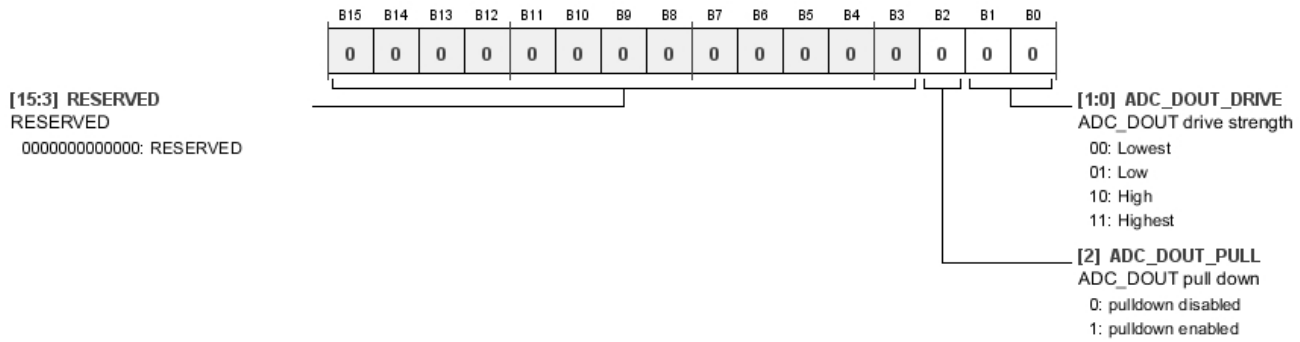


Table 74. Bit Descriptions for ADC\_DOUT3\_PIN

| Bits  | Bit Name       | Settings             | Description  | Reset | Access |
|-------|----------------|----------------------|--|-------|--------|
| 2     | ADC_DOUT_PULL  | 0<br>1               | ADC_DOUT Pull-Down.<br>Pull-Down Disabled.<br>Pull-Down Enabled. | 0x0   | RW     |
| [1:0] | ADC_DOUT_DRIVE | 00<br>01<br>10<br>11 | ADC_DOUT Drive Strength.<br>Lowest.<br>Low.<br>High.<br>Highest. | 0x0   | RW     |

Address: 0x28D, Reset: 0x0000, Name: ADC\_DOUT4\_PIN

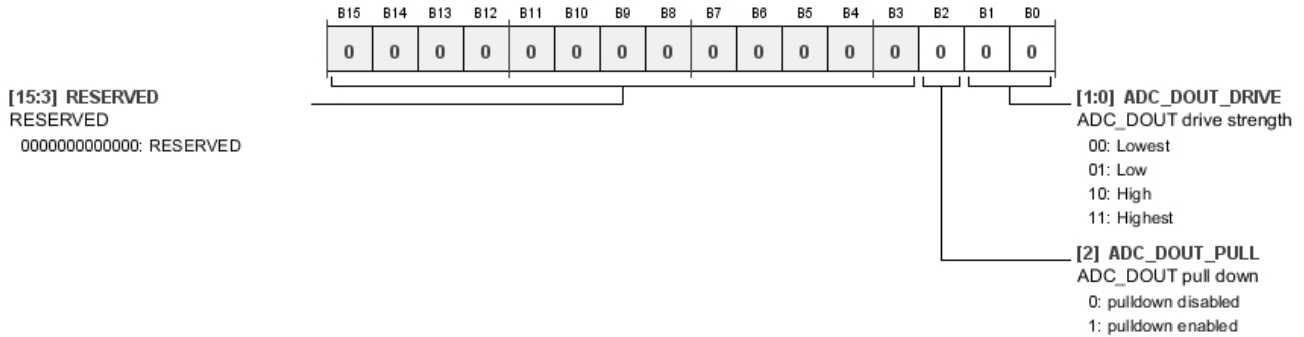


Table 75. Bit Descriptions for ADC\_DOUT4\_PIN

| Bits  | Bit Name       | Settings             | Description  | Reset | Access |
|-------|----------------|----------------------|--|-------|--------|
| 2     | ADC_DOUT_PULL  | 0<br>1               | ADC_DOUT Pull-Down.<br>Pull-Down Disabled.<br>Pull-Down Enabled. | 0x0   | RW     |
| [1:0] | ADC_DOUT_DRIVE | 00<br>01<br>10<br>11 | ADC_DOUT Drive Strength.<br>Lowest.<br>Low.<br>High.<br>Highest. | 0x0   | RW     |

Address: 0x28E, Reset: 0x0000, Name: ADC\_DOUT5\_PIN



Table 76. Bit Descriptions for ADC\_DOUT5\_PIN

| Bits  | Bit Name       | Settings             | Description  | Reset | Access |
|-------|----------------|----------------------|--|-------|--------|
| 2     | ADC_DOUT_PULL  | 0<br>1               | ADC_DOUT Pull-Down.<br>Pull-Down Disabled.<br>Pull-Down Enabled. | 0x0   | RW     |
| [1:0] | ADC_DOUT_DRIVE | 00<br>01<br>10<br>11 | ADC_DOUT Drive Strength.<br>Lowest.<br>Low.<br>High.<br>Highest. | 0x0   | RW     |

**DATA\_READY PIN DRIVE STRENGTH AND SLEW RATE REGISTER**

Address: 0x291, Reset: 0x0000, Name: DATA\_READY\_PIN

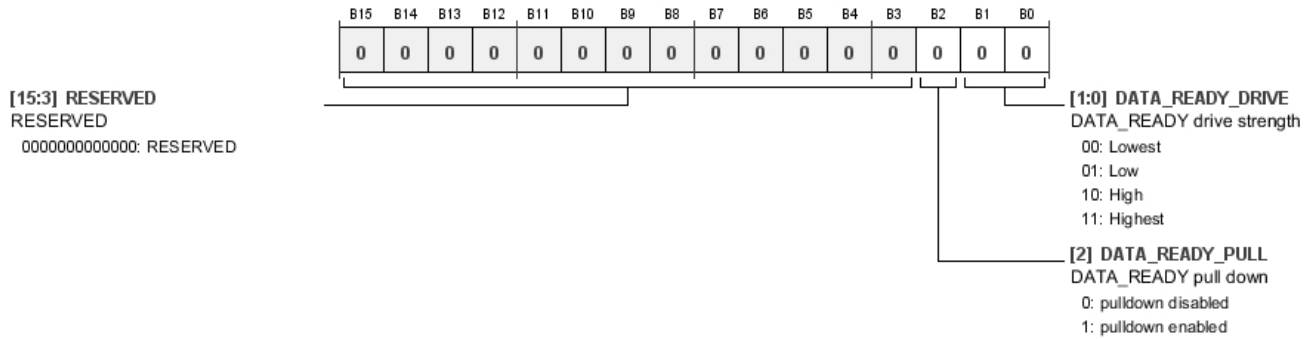


Table 77. Bit Descriptions for DATA\_READY\_PIN

| Bits  | Bit Name         | Settings             | Description  | Reset | Access |
|-------|------------------|----------------------|--|-------|--------|
| 2     | DATA_READY_PULL  | 0<br>1               | DATA_READY Pull-Down.<br>Pull-Down Disabled.<br>Pull-Down Enabled. | 0x0   | RW     |
| [1:0] | DATA_READY_DRIVE | 00<br>01<br>10<br>11 | DATA_READY Drive Strength.<br>Lowest.<br>Low.<br>High.<br>Highest. | 0x0   | RW     |

**XTAL ENABLE AND DRIVE REGISTER**

Address: 0x292, Reset: 0x0000, Name: XTAL\_CTRL

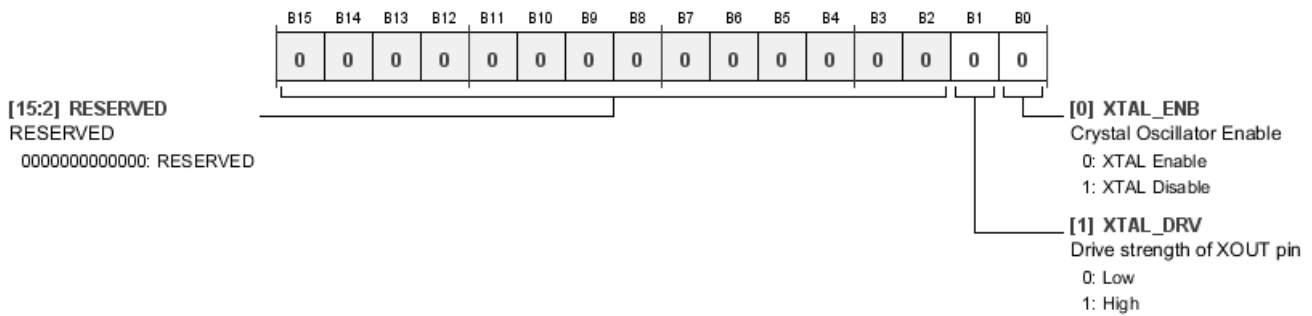
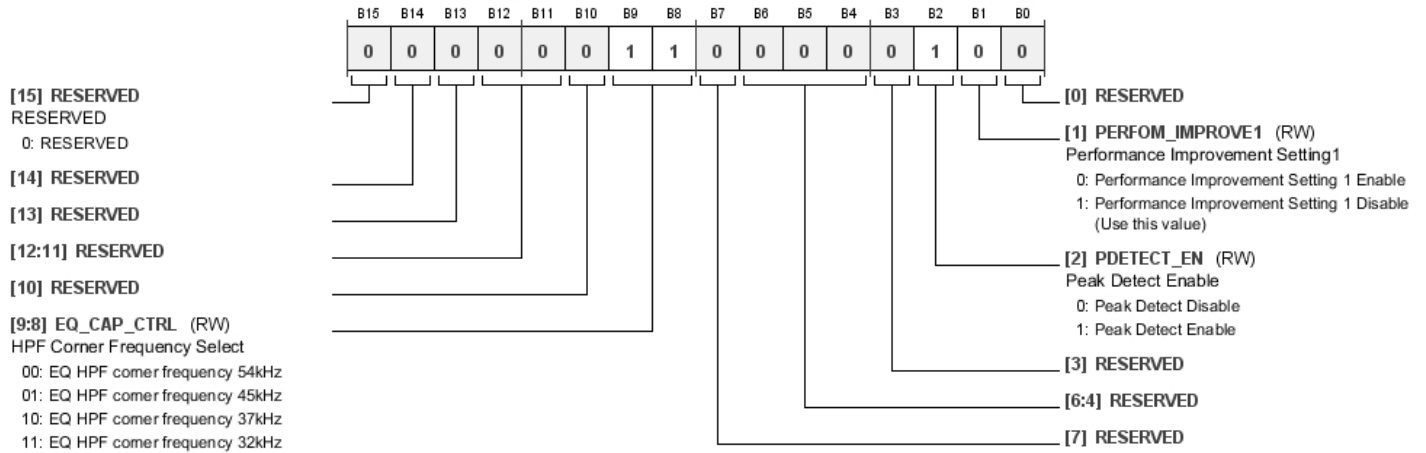


Table 78. Bit Descriptions for XTAL\_CTRL

| Bits | Bit Name | Settings | Description   | Reset | Access |
|------|----------|----------|---|-------|--------|
| 1    | XTAL_DRV | 0<br>1   | Drive Strength of XOUT Pin.<br>Low.<br>High.                | 0x0   | RW     |
| 0    | XTAL_ENB | 0<br>1   | Crystal Oscillator Enable.<br>XTAL Enable.<br>XTAL Disable. | 0x0   | RW     |

**ADC TEST REGISTER**

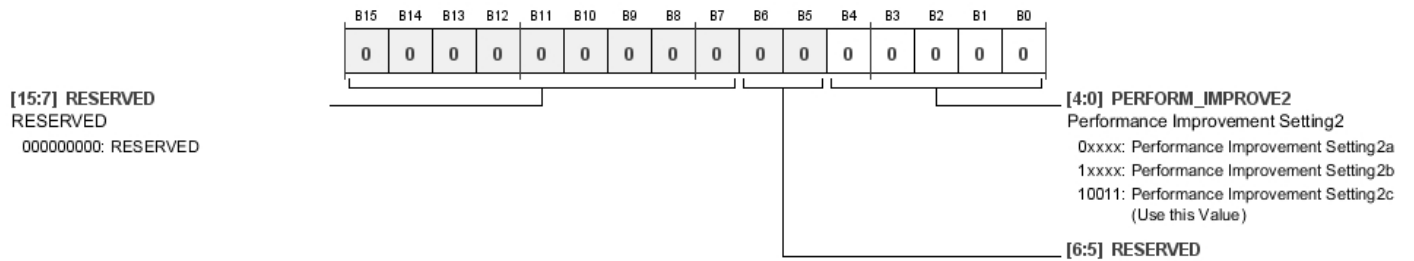
Address: 0x301, Reset: 0x0304, Name: ADC\_SETTING1



**Table 79. Bit Descriptions for ADC\_SETTING1**

| Bits  | Bit Name        | Settings             | Description  | Reset | Access |
|-------|-----------------|----------------------|--|-------|--------|
| [9:8] | EQ_CAP_CTRL     | 00<br>01<br>10<br>11 | HPF Corner Frequency Select.<br>EQ HPF corner frequency 54 kHz<br>EQ HPF corner frequency 45 kHz<br>EQ HPF corner frequency 37 kHz<br>EQ HPF corner frequency 32 kHz | 0x3   | RW     |
| 2     | PDETECT_EN      | 0<br>1               | Peak Detect Enable.<br>Peak Detect Disable<br>Peak Detect Enable   | 0x1   | RW     |
| 1     | PERFOM_IMPROVE1 | 0<br>1               | Performance Improvement Setting 1.<br>Performance Improvement Setting 1 Enable<br>Performance Improvement Setting 1 Disable (Use this value)                         | 0x0   | RW     |

Address: 0x308, Reset: 0x0000, Name: ADC\_SETTING2



**Table 80. Bit Descriptions for ADC\_SETTING2**

| Bits  | Bit Name         | Settings                | Description   | Reset | Access |
|-------|------------------|-------------------------|---|-------|--------|
| [4:0] | PERFORM_IMPROVE2 | 0xxxx<br>1xxxx<br>10011 | Performance Improvement Setting 2.<br>Performance Improvement Setting 2a.<br>Performance Improvement Setting 2b.<br>Performance Improvement Setting 2c (Use This Value) | 0x00  | RW     |

Address: 0x30A, Reset: 0x0009, Name: ADC\_SETTING3

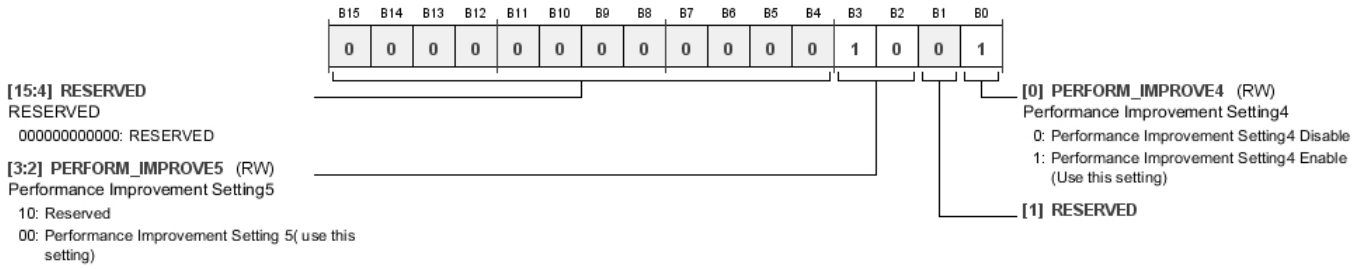


Table 81. Bit Descriptions for ADC\_SETTING3

| Bits  | Bit Name         | Settings | Description  | Reset | Access |
|-------|------------------|----------|--|-------|--------|
| [3:2] | PERFORM_IMPROVE5 | 10<br>00 | Performance Improvement Setting 5.<br>Reserved.<br>Performance Improvement Setting 5 (Use This Setting).   | 0x2   | RW     |
| 0     | PERFORM_IMPROVE4 | 0<br>1   | Performance Improvement Setting 4.<br>Performance Improvement Setting 4 Disable.<br>Performance Improvement Setting 4 Enable (Use This Setting). | 0x1   | RW     |

**DIGITAL FILTER SYNC ENABLE REGISTER**

Address: 0x30E, Reset: 0x0003, Name: DEJITTER\_WINDOW

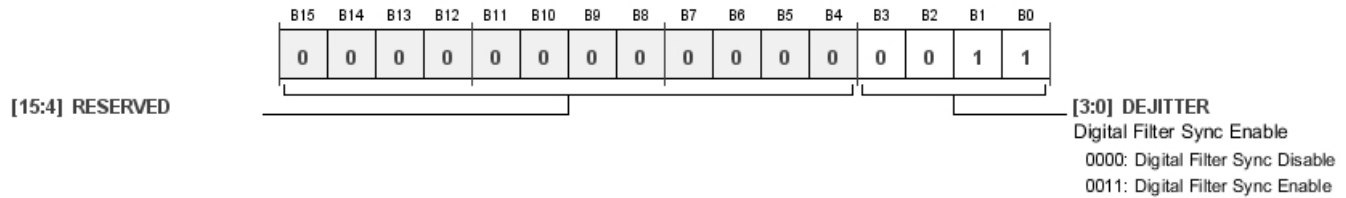


Table 82. Bit Descriptions for DEJITTER\_WINDOW

| Bits  | Bit Name | Settings     | Description  | Reset | Access |
|-------|----------|--------------|--|-------|--------|
| [3:0] | DEJITTER | 0000<br>0011 | Digital Filter Sync Enable.<br>Digital Filter Sync Disable.<br>Digital Filter Sync Enable. | 0x3   | RW     |

**CRC ENABLE/DISABLE REGISTER**

Address: 0xFD00, Reset: 0x0000, Name: CRC\_EN

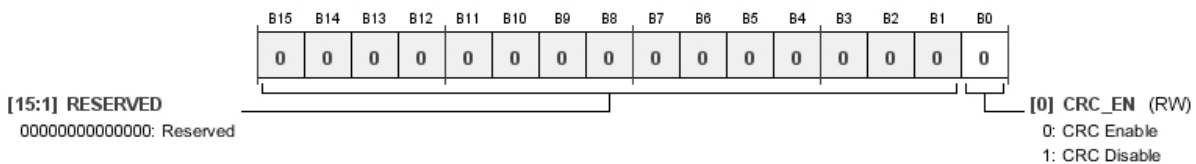
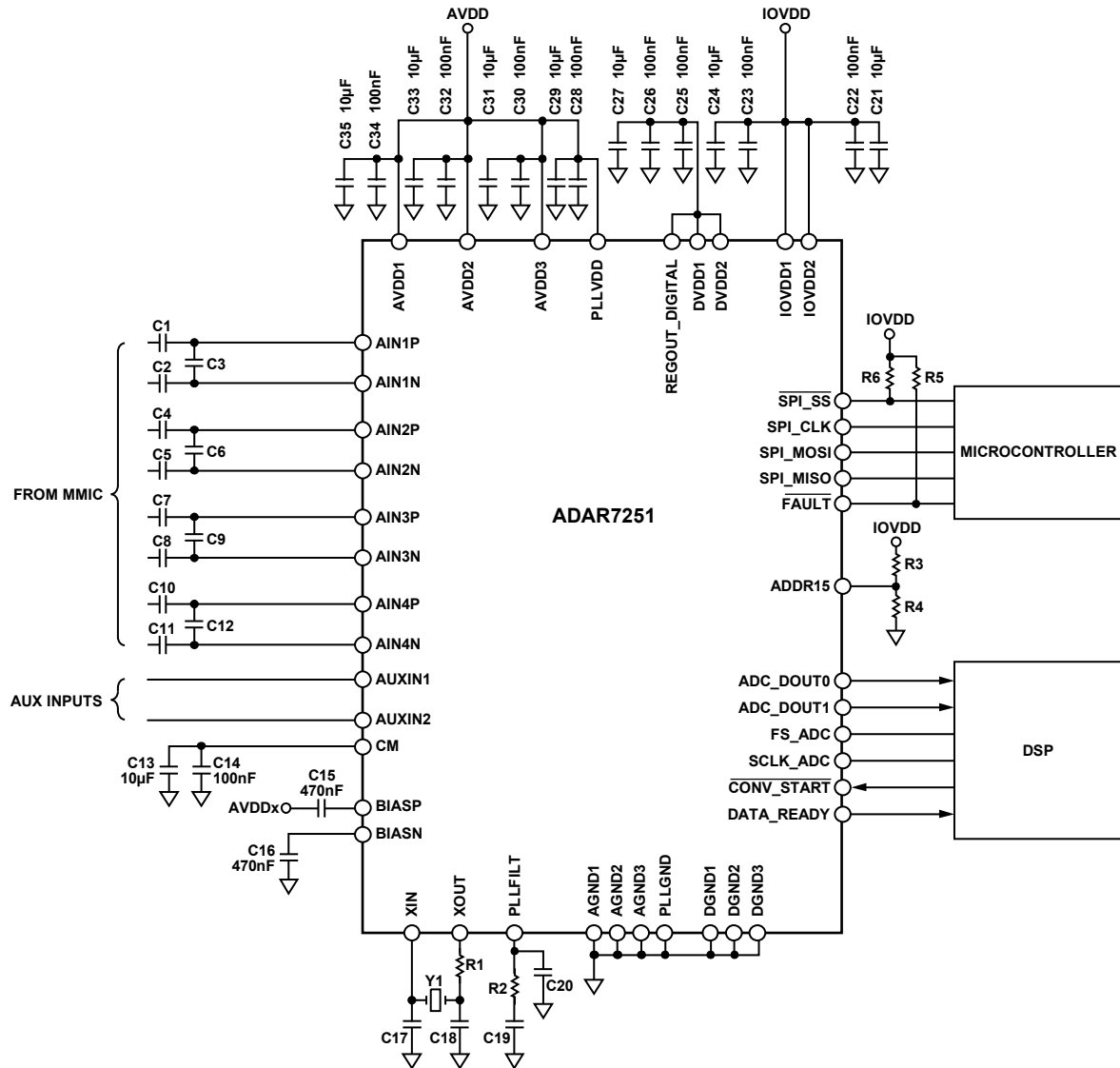


Table 83. Bit Descriptions for CRC\_EN

| Bits | Bit Name | Settings | Description               | Reset | Access |
|------|----------|----------|---------------------------|-------|--------|
| 0    | CRC_EN   | 0<br>1   | CRC Enable<br>CRC Disable | 0x0   | RW     |

TYPICAL APPLICATION CIRCUIT



C1, C2, C4, C5, C7, C8, C10, C11: SEE HIGH-PASS FILTER (HPF) SECTION  
 C3, C6, C9, C12: SEE LOW-PASS FILTER (LPF) SECTION  
 C17, C18: 12pF TO 18pF, SELECT BASED ON CRYSTAL  
 R1: 100Ω TYPICAL. SELECT BASED ON CRYSTAL  
 C19: 5.6nF  
 C20: 390pF  
 R2: 1kΩ  
 R3, R4: 10kΩ; USE EITHER PULL-UP OR PULL-DOWN BASED ON DEVICE ADDRESS  
 R5, R6: 10kΩ TYPICAL  
 CONV\_START AND DATA\_READY SIGNALS MAY NOT BE NECESSARY, SEE ADC SERIAL MODE SECTION  
 FS\_ADC AND SCLK\_ADC DIRECTION DEPENDS ON THE MASTER OR SLAVE MODE  
 Y1: 19.2MHz TYPICAL. ACCEPTABLE RANGE IS 16MHz TO 54MHz. ALTERNATELY CLOCK AVAILABLE IN THE SYSTEM CAN BE CONNECTED TO XIN.

Figure 60. Typical Application Circuit, 4-Channel, Serial Mode

112357-045

## OUTLINE DIMENSIONS

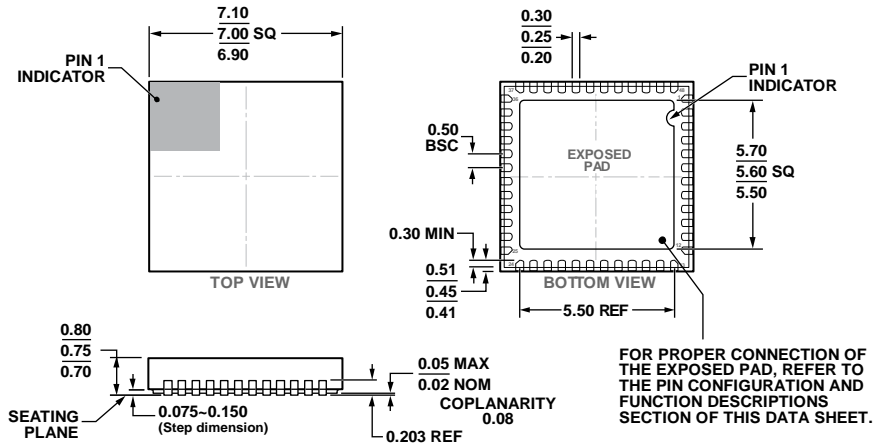


Figure 61. 48-Lead Lead Frame Chip Scale Package [LFCSP\_SS]  
7 mm × 7 mm Body, With Side Solderable Leads  
(CS-48-1)  
Dimensions shown in millimeters

## ORDERING GUIDE

| Model <sup>1,2</sup> | Temperature Range | Package Description                 | Package Option |
|----------------------|-------------------|-------------------------------------|----------------|
| ADAR7251WBCSZ        | -40°C to +125°C   | 48-Lead LFCSP_SS                    | CS-48-1        |
| ADAR7251WBCSZ-RL     | -40°C to +125°C   | 48-Lead LFCSP_SS, 13" Tape and Reel | CS-48-1        |
| EVAL-ADAR7251Z       |                   | Evaluation Board                    |                |

<sup>1</sup> Z = RoHS Compliant Part.

<sup>2</sup> W = Qualified for Automotive Applications.

## AUTOMOTIVE PRODUCTS

The ADAR7251W models are available with controlled manufacturing to support the quality and reliability requirements of automotive applications. Note that these automotive models may have specifications that differ from the commercial models; therefore, designers should review the Specifications section of this data sheet carefully. Only the automotive grade products shown are available for use in automotive applications. Contact your local Analog Devices account representative for specific product ordering information and to obtain the specific Automotive Reliability reports for these models.