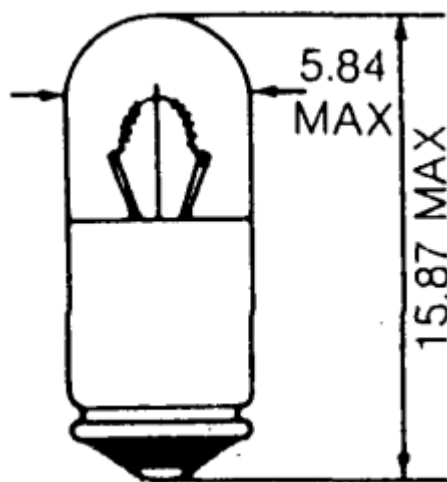


## Datasheet

### Midget Groove Filament Indicator Lamp, Clear, 6.3 V, 200 mA, 20000h

RS Stock number [360-7632](#)

Drawing (mm):



## Specifications:

Bulb Diameter:	5.84mm max.
Length:	15.87mm max.
Base Type:	Midget Groove
Voltage:	6.3V
Amperage:	200mA $\pm$ 10%
Filament Type:	C-2F
	Vacuum Type
MSCP:	0.4 CP $\pm$ 20%
Life Hours:	20000Hrs