

SMB Straight Plug

multicomp PRO

**RoHS
Compliant**

Specifications

Electrical

Frequency Range : DC-4 GHz
 Nominal Impedance : 50Ω
 Working Voltage : 335 Volts Max.
 VSWR : 1.41 Max.

Materials

Bodies : Brass Per JIS-C3604
 Centre Contact : Brass Per JIS-C3604
 Insulation : PTFE Per ASTM D1457 and ASTM D1710
 Crimp Ferrule : Brass Per JIS-C2700

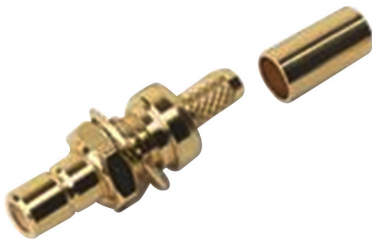
Mechanical

Interface in Accordance with : MIL-STD-348A
 Cable Attachment : Outer : Clamp, Inner : Solder/Crimp
 Crimp Ferrule : Brass Per JIS-C2700
 Crimp Size Required : Contact: 0.67mm (0.026") SQ. Crimp Tool
 Ferrule : 3.5mm (0.138") Hex crimp Tool

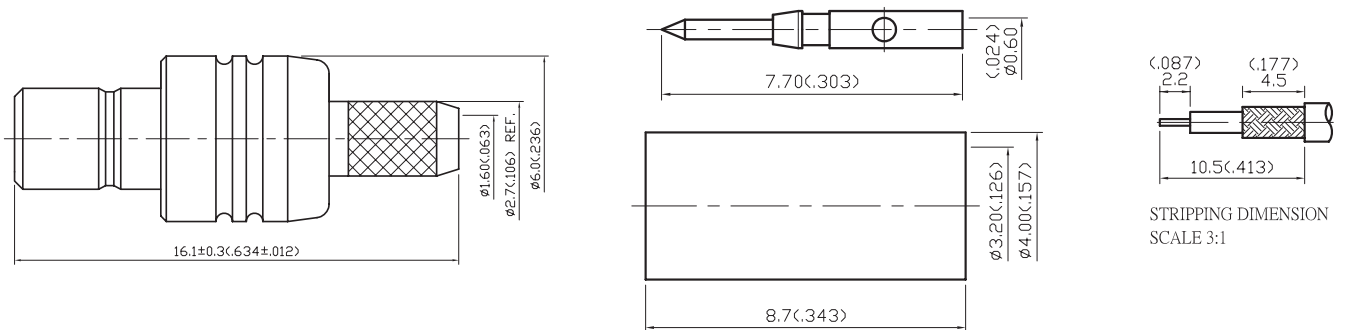
For use with RG174U or similar Style Cable

Environmental

Operating Temperature Range : -65°C to +165°C



Diagram



Dimensions : Millimetres (Inches)

Finishes and Others

No.	Description	Material	Finish	Qty.
1	Body	Brass	Gold 3μ" Min.	1
2	Insulation	PTFE	None	
3	Chassis	Brass	Gold 3μ" Min.	
4	Centre Contact		Gold 30μ" Min.	
5	Crimp Ferrule		Gold 3μ" Min.	

Part Number Table

Description	Part Number
SMB Straight Plug	MP-24-06L-TGG

Important Notice : This data sheet and its contents (the "Information") belong to the members of the AVNET group of companies (the "Group") or are licensed to it. No licence is granted for the use of it other than for information purposes in connection with the products to which it relates. No licence of any intellectual property rights is granted. The Information is subject to change without notice and replaces all data sheets previously supplied. The Information supplied is believed to be accurate but the Group assumes no responsibility for its accuracy or completeness, any error in or omission from it or for any use made of it. Users of this data sheet should check for themselves the Information and the suitability of the products for their purpose and not make any assumptions based on information included or omitted. Liability for loss or damage resulting from any reliance on the Information or use of it (including liability resulting from negligence or where the Group was aware of the possibility of such loss or damage arising) is excluded. This will not operate to limit or restrict the Group's liability for death or personal injury resulting from its negligence. Multicomp Pro is the registered trademark of Premier Farnell Limited 2019.

Newark.com/multicomp-pro
 Farnell.com/multicomp-pro
 Element14.com/multicomp-pro

multicomp PRO