

Datasheet

12Vdc 90dB PCB Piezo Buzzer

RS Stock number [511-7642](#)

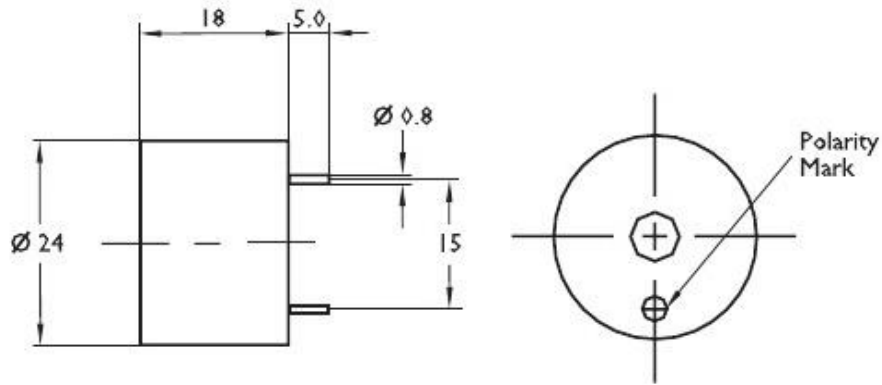


Specifications:

Rated Voltage:	12VDC
Operating Voltage	3-16VDC
Rated Current:*	≤8mA
Sound Output at 30cm:*	≥90dB
Resonant Frequency:	3700±500Hz
Tone:	Continuous
Operating Temperature:	-30°C to +70°C
Storage Temperature:	-40°C to +85°C
Weight:	5g
Colour:	Black
Housing Material:	Noryl
Base:	Sealed
Drive Type:	Internal
Mounting Type:	Through Hole

*Value applying at rated voltage (DC)

Dimensions:



Dimensions Unit: mm

Tolerance: ± 0.5 mm