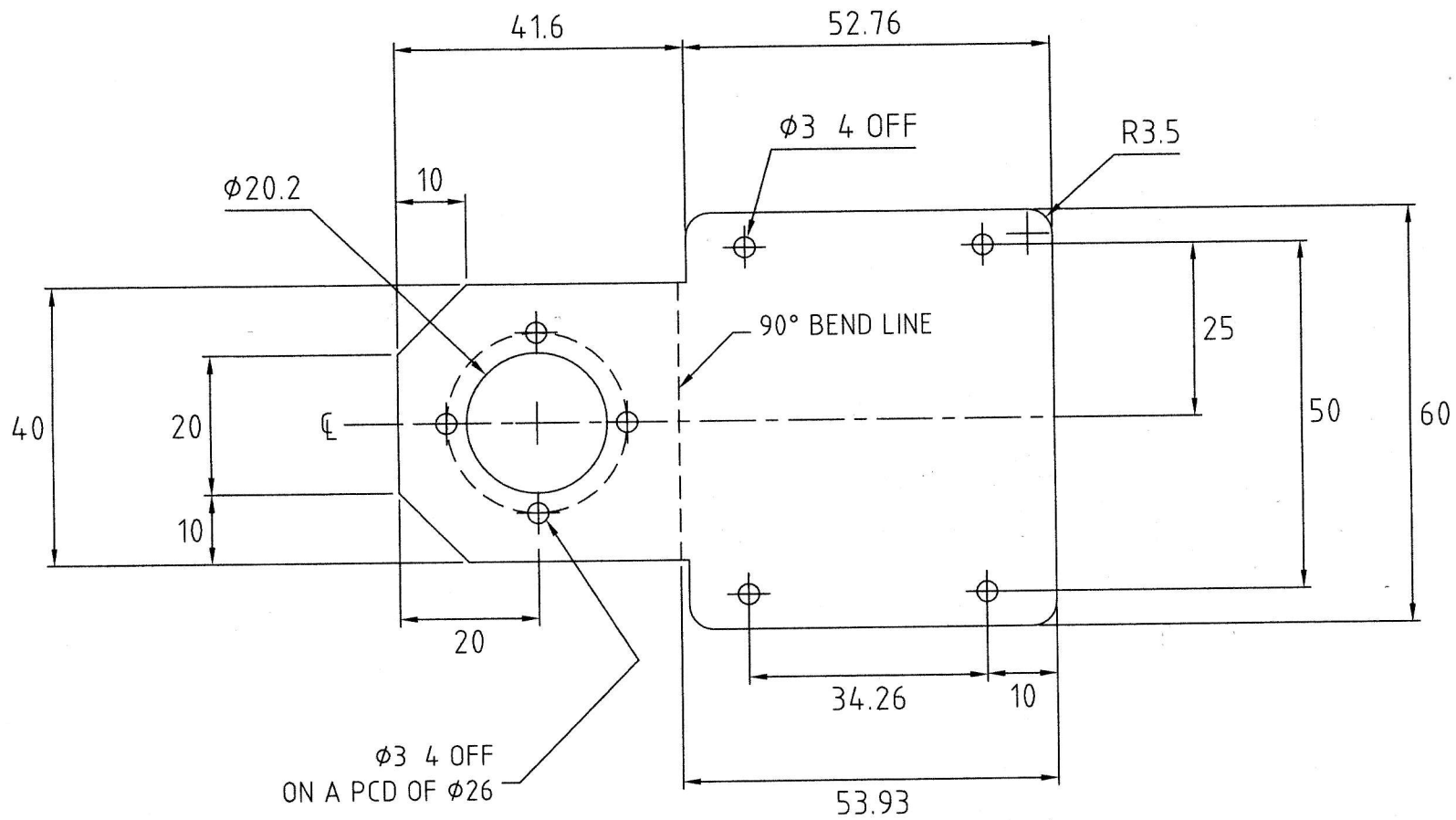


DRG.No.



ISSUE	DESCRIPTION	APPD	DATE
1	1.5mm MILD STEEL, BRIGHT ZINC & COLOURLESS		
	DIMENSIONS IN MILLIMETRES		

REVISION	DETAILS			BY	DATE
DRAWN IB	TRACED	CHECKED <i>[Signature]</i>	APPROVED <i>[Signature]</i>		01/02/12
DRAWING No. 302					