



ENGLISH

Datasheet

Panel Screw Mount

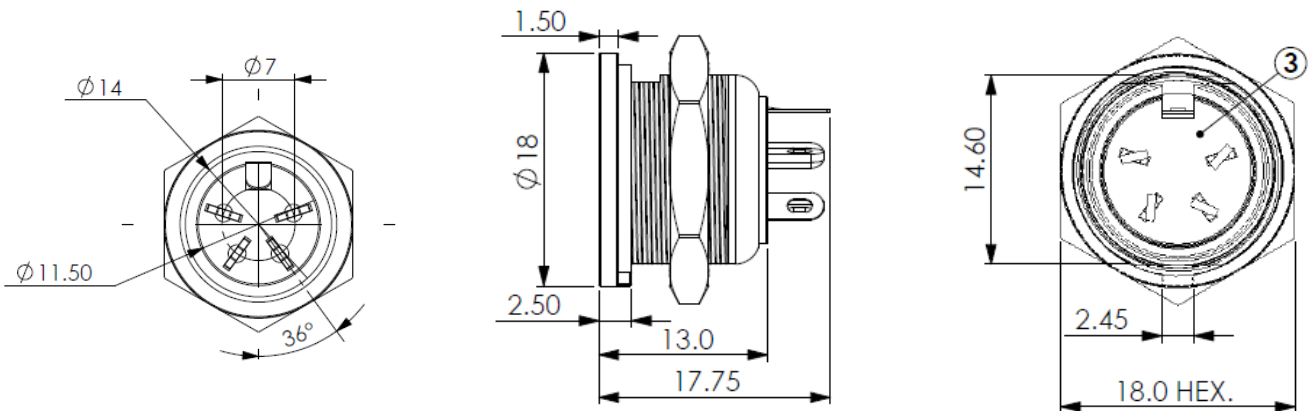
RS Stock number 490-973

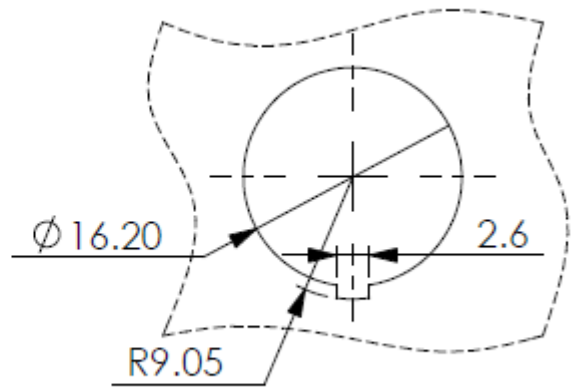
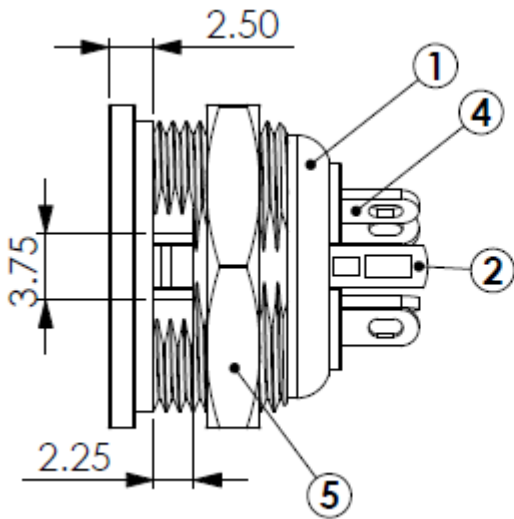


Specifications:

| | |
|------------------------|--------------------------------|
| Rating: | 100V AC 4A max. |
| Contact Resistance: | Pins-30mΩ max; shell-50mΩ max. |
| Insulation Resistance: | 100MΩ min. at 500V DC |
| Voltage Withstand: | 250V AC R.M.S for 1 minute |

Dimensions(mm)





Through Hole Dimension

| No. | Description | Material | Treat |
|-----|------------------|----------|-------------|
| 1 | Shield Cover | Zn Alloy | Chrome Ptd. |
| 2 | Negative Contact | Copper | Nickel Ptd. |
| 3 | 4P Housing | ABS | |
| 4 | Terminals | Brass | Silver Ptd. |
| 5 | Screw Nut | Brass | Nickel Ptd. |