

## FEATURES

- Tachometer output options, for sensing and speed control
- PBT UL94V-0 thermoplastic impeller.
- supporting excellent performance and life expectancy

## RS PRO, 24 V dc, DC Axial Fan, 40 x 40 x 20mm, 15.3m<sup>3</sup>/h, 2.16W

RS Stock No.: 619-7065



RS Professionally Approved Products bring to you professional quality parts across all product categories. Our product range has been tested by engineers and provides a comparable quality to the leading brands without paying a premium price.

### Product Description

Brought to you by RS Pro brand, a wide range of DC ball bearing axial fans offering a cost effective cooling solution without sacrificing on quality or reliability. With a brushless, auto restart, impedance and polarity protected motor these fans are ideal for a multitude of applications. All models are highly reliable and excellent quality.

### General Specifications

<b>Air Flow</b>	9CFM
<b>Fan Speed</b>	7800rpm
<b>Noise Level</b>	32dB
<b>Direction of Curve</b>	Backwards
<b>Frame</b>	PBT UL94V-0 Thermoplastic
<b>Impeller</b>	PBT UL94V-0 Thermoplastic
<b>Alarm Function</b>	Yes
<b>Special Features</b>	Tachometer
<b>IP Rating</b>	IP44
<b>Applications</b>	Server racks, Electrical cabinets and enclosures; Production Lines, Ceiling fan/ventilation Desktop computers, Motor engines (radiator in a car), Generators, Air compressors

### Electrical Specifications

<b>Motor</b>	Brushless DC, Locked rotor protected Auto Restart, Polarity Protected
<b>AC or DC Operation</b>	DC
<b>Power Consumption</b>	2.16W
<b>Supply Voltage</b>	24VDC
<b>Maximum Current</b>	90mA

## Axial Fans

<b>Insulation Resistance</b>	Min.10M Ohms at 500VDC
------------------------------	------------------------

### Mechanical Specifications

<b>Dimensions</b>	40mm x 40mm x20mm
<b>Height</b>	40mm
<b>Width</b>	40mm
<b>Depth</b>	20mm
<b>Bearing Type</b>	Ball
<b>Life Expectancy</b>	60,000 hours (L10 )

### Operation Environment Specifications

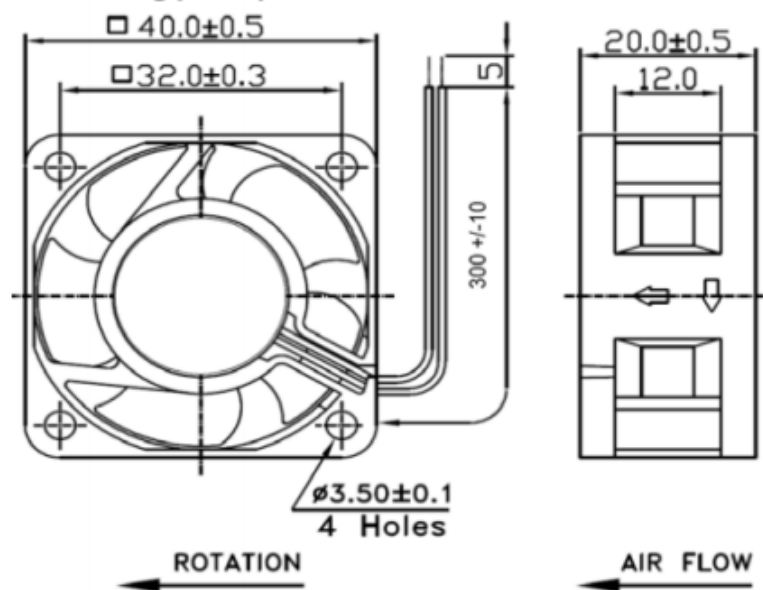
<b>Operating Temperature</b>	-10°C to 70°C
------------------------------	---------------

### Approvals

<b>Compliance/Certifications</b>	UL, cUL, TUV, CE, UL94-V0
----------------------------------	---------------------------



### Drawing(mm):



\*Drawing for Dimensional Reference Only

