



EN

## Datasheet

# RS PRO NYLON-INSULATED CORD END

## TERMINALS

Stock number: 178-7303

MAXIMUM ELECTRIC CURRENT:

A.W.G.	18
AMP.	17

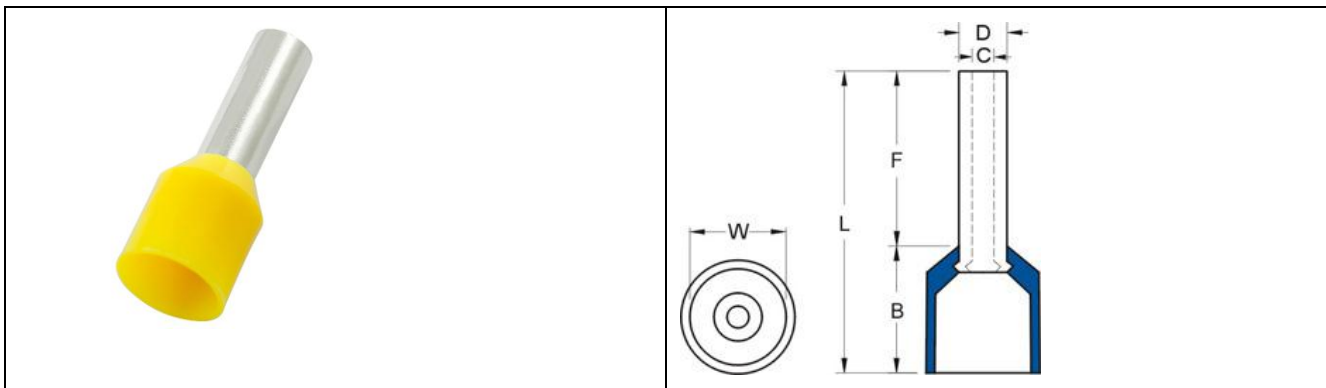
MAXIMUM ELECTRICAL RATING: 105° C 600 VOLTS MAX.

INSULATION MATERIAL: NYLON

TERMINAL MATERIAL: COPPER TUBE

SURFACE TREATMENT: TIN PLATE

INSULATION COLOR: YELLOW



WIRE RANGE A.W.G. mm <sup>2</sup>	ITEM NO.	DIMENSION inch(mm)					
		F	L	W	B	D	C
18 A.W.G.	178-7303	0.394	0.63	0.118	0.248	0.067	0.055
1.0 mm <sup>2</sup>		10	16	3	6.3	1.700	1.4