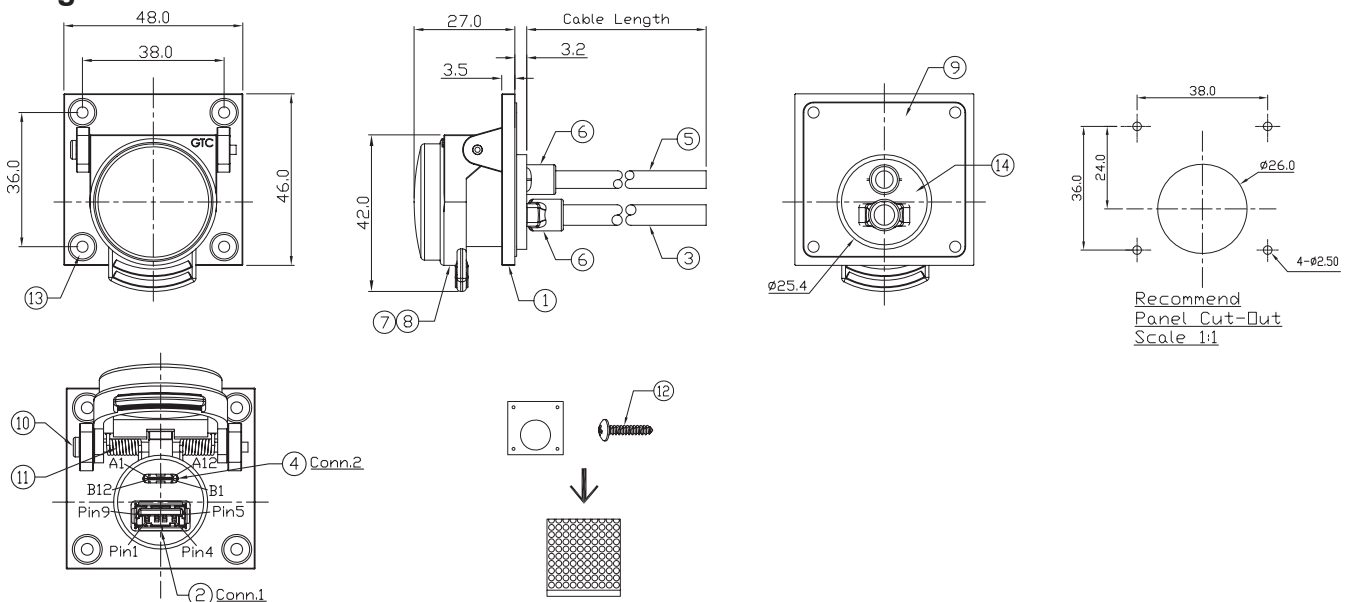


**RoHS
Compliant**

Specifications

Current Rating	: 1.5A / 2A
AWG Gauge	: 20 AWG to 28 AWG
Temperature Range	: -40°C to +105°C
Insulation Resistance	: DC500V ±10%, test for 1 minute and the insulation resistance should be more than 1000MΩ
Dielectric Withstanding Voltage	: 500V DC/AC peak, contact-to-contact, for 1min. 750V DC/ AC peak, contact-to-test panel or contact-to-shield for 1 min.
Contact Resistance	: 30mΩ at 10mA Max.
Waterproof Rate	: IP67
Recommend Panel Thickness	: 0.8mm to 3mm

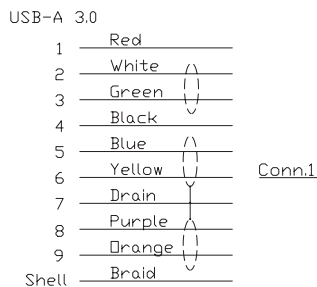
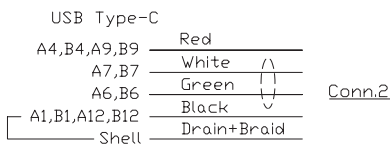
Diagram



Dimensions : Millimetres

No.	Part Name	Material / Finish	Qty.
1	Housing	Thermoplastic; Colour: Black	1
2	USB-A 3.0 Receptacle	Shell: Copper Alloy, Finish: Au Plated	
		Contacts: Copper Alloy, Finish: Au Plated	
		Housing: Thermoplastic, Colour: Blue	
3	Cable	UL2725 (1P×28AWG EAM)×2+(1PR×28AWG+A)+2C×24AWG+AB 85% Colour: Black, OD:5mm	
4	USB Type C 3.1	Shell: Copper Alloy, Finish: Au Plated	
		Contacts: Copper Alloy, Finish: Au Plated	
		Housing: Thermoplastic, Colour: Black	
5	Cable	UL2725 28AWG×1P+24AWG×2C+AEB65% Colour: Black, OD: 4.7mm	

No.	Part Name	Material / Finish	Qty.
6	Over Mold	Thermoplastic; Colour: Black	2
7	Cap	Thermoplastic; Colour: Black	1
8	Cap Rubber Pad	Silicone; Colour: Black	
9	Gasket	Silicone; Colour: Black	
10	Rivet	Aluminium; Finish:-	
11	Spring	Stainless; Finish:-	
12	Screw	Stainless (TP1); Finish:-	4
13	Screw Gasket	EPDM; Colour: Black	
14	Glue	Epoxy; Colour: Black	-



Wiring Diagram

Part Number Table

Description	Cable Length	Part Number
USB-A 3.0 + Type C Panel Square Dual-USB Jack with Cable + Cap	1m	MP011835
	2m	MP011836

Important Notice : This data sheet and its contents (the "Information") belong to the members of the AVNET group of companies (the "Group") or are licensed to it. No licence is granted for the use of it other than for information purposes in connection with the products to which it relates. No licence of any intellectual property rights is granted. The Information is subject to change without notice and replaces all data sheets previously supplied. The Information supplied is believed to be accurate but the Group assumes no responsibility for its accuracy or completeness, any error in or omission from it or for any use made of it. Users of this data sheet should check for themselves the Information and the suitability of the products for their purpose and not make any assumptions based on information included or omitted. Liability for loss or damage resulting from any reliance on the Information or use of it (including liability resulting from negligence or where the Group was aware of the possibility of such loss or damage arising) is excluded. This will not operate to limit or restrict the Group's liability for death or personal injury resulting from its negligence. Multicomp Pro is the registered trademark of Premier Farnell Limited 2019.