



ENGLISH

Datasheet

# RS Pro Round Rocker Switch

Stock No:914-3550

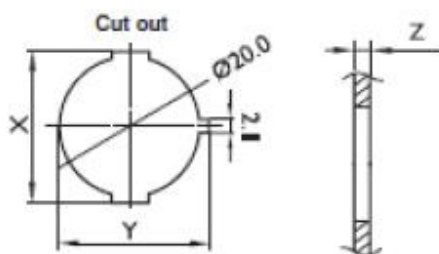
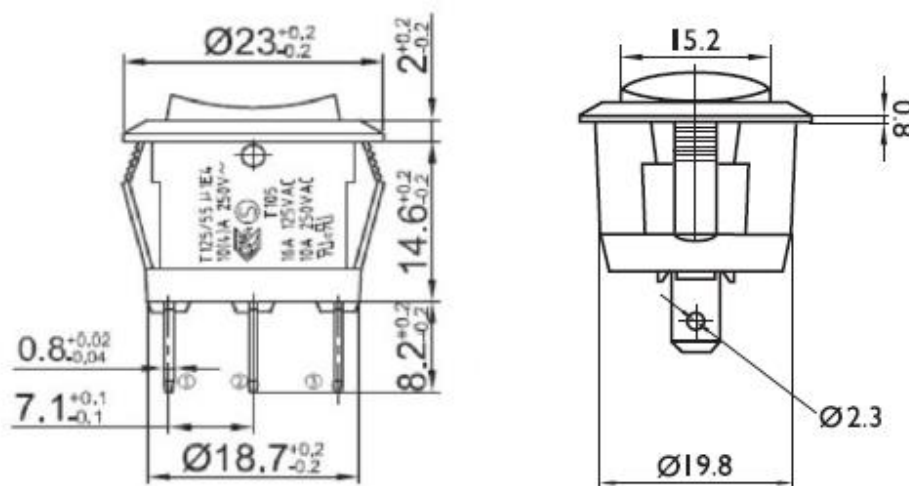


## Specifications:

- Rating: 6(2)A 250Vac T125/55 1E4  
10A 125Vac
- Colour: Black Body/1 0 11 Engraving
- Switch Action: SPDT Centre Off Latching
- Maximum Contact Resistance: 30M $\Omega$
- Minimum Insulation Resistance: 500Vdc 100M $\Omega$
- Electrical Life: 10,000 Cycles
- Operating Force: 300-600gf
- Operating Temperature: -25°C ~ 125°C

### Features:

- RoHS Compliant
- Housing Material: Nylon #66 UL 94V-2
- Rocker Material: Nylon #66 UL 94V-2
- Terminal Material: Copper Alloy SN or AG Plated
- Contact Material: AgNi (15) Alloy Plated



	Z	Y	X
Cut Out (Diagram Above)	0.75 – 1.25	20.8	20.2
	1.25 – 2.0	20.8	20.4
	2.0 – 3.0	20.8	20.6