

# Connector Housing and Contacts **multicomp**<sup>PRO</sup>

---

RoHS  
Compliant



## Description

Multicomp Pro 350 Power Connector is a wire-to-board system that offers a 3.50mm pitch, a higher-current rating of 14.0A, and superior design options for flexibility and efficient assembly

## Features

- Multiple mechanical keying  
Allow same-circuit, multiple connector use with virtually no chance of cross mating
- Fully isolated terminals  
Protect against potential damage of the header and receptacle terminals during handling and mating
- 5562 & 5563 Series low mating force terminal (Reduce the insertion force terminal)  
Reduces operator fatigue and improves assembly compliance
- 17% reduction in pitch over similar power connectors (Compared with similar power connectors, the spacing is effectively reduced)  
Current-dense design saves PCB space
- Terminal interface with six independent points of contact (split-box terminal design)  
Offers alternate current paths for long-term performance and reliability

## Applications

### Consumer/Home Appliance

Washers, Refrigerators

### Industrial

Assembly Line Equipment

### Lighting

Ballasts, Home Lighting Fixtures

### Medical

Medical Device

### Telecommunications/Networking

Hubs, Servers

### Transportation

Infotainment, Interior

### Aerospace and Defense

---

Newark.com/multicomp-pro  
Farnell.com/multicomp-pro  
sg.element14.com/b/multicomp-pro

**multicomp**<sup>PRO</sup>

# Connector Housing and Contacts **multicomp** PRO

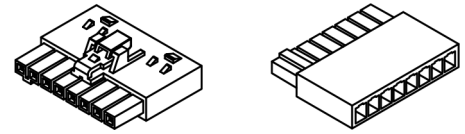
## WTB, 3.5mm, Single Row

### Specifications

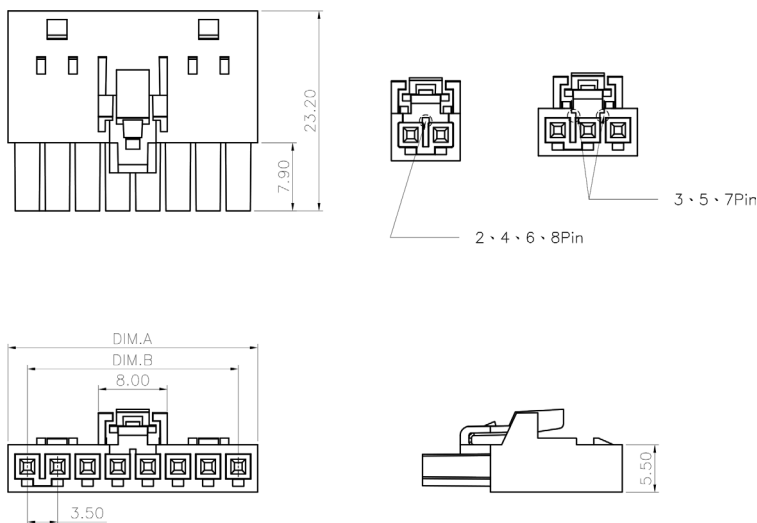
Current Rating	: 7-14A AC/DC
Contact Resistance	: 10mΩ Max.
Insulation Resistance	: 1000MΩ Min.
Withstand Voltage	: 1800V AC/minute
Operating Temperature	: -40°C to +125°C
Application Wire	: AWG#16 to #22

### Material

Insulator	: Nylon66 (UL94V-0)
Colour	: Black



### Drawing



Circuits	Dimensions	
	A	B
2	8	3.5
3	11.5	7
4	15	10.5
5	18.5	14
6	22	17.5
7	25.5	21
8	29	24.5

Dimensions : Millimetres

# Connector Housing and Contacts **multicomp** PRO

## WTB, 3.5mm Crimp Terminal

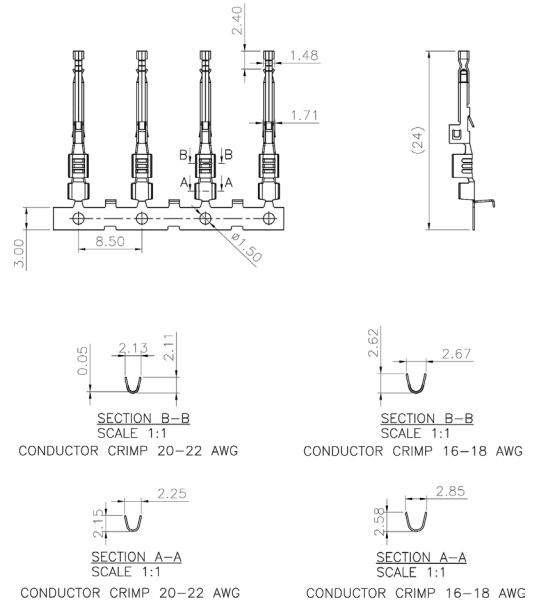
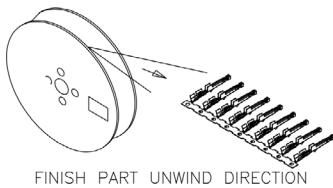


### Specifications

Current Rating	: 5-14A AC/DC
Voltage Rating	: 400V AC/DC
Contact Resistance	: 30mΩ Max.
Insulation Resistance	: 1000MΩ Min.
Withstanding Voltage	: 600V AC/minute
Operating Temperature	: -25°C to +85°C

### Material

Contact	: Copper
Finish	: Tin Plated



## Part Number Table

Description	Part Number
WTB Connector Housing, Receptacle, 3.5mm, Single Row, 2 Way	MP010106
WTB Connector Housing, Receptacle, 3.5mm, Single Row, 3 Way	MP010107
WTB Connector Housing, Receptacle, 3.5mm, Single Row, 4 Way	MP010108
WTB Connector Housing, Receptacle, 3.5mm, Single Row, 5 Way	MP010109
WTB Connector Housing, Receptacle, 3.5mm, Single Row, 6 Way	MP010110
WTB Connector Housing, Receptacle, 3.5mm, Single Row, 7 Way	MP010111
WTB Connector Housing, Receptacle, 3.5mm, Single Row, 8 Way	MP010112
WTB Crimp Terminal, Tin Plated, 16 to 18 AWG	MP010113
WTB Crimp Terminal, Tin Plated, 20 to 22 AWG	MP010114

**Important Notice** : This data sheet and its contents (the "Information") belong to the members of the AVNET group of companies (the "Group") or are licensed to it. No licence is granted for the use of it other than for information purposes in connection with the products to which it relates. No licence of any intellectual property rights is granted. The Information is subject to change without notice and replaces all data sheets previously supplied. The Information supplied is believed to be accurate but the Group assumes no responsibility for its accuracy or completeness, any error in or omission from it or for any use made of it. Users of this data sheet should check for themselves the Information and the suitability of the products for their purpose and not make any assumptions based on information included or omitted. Liability for loss or damage resulting from any reliance on the Information or use of it (including liability resulting from negligence or where the Group was aware of the possibility of such loss or damage arising) is excluded. This will not operate to limit or restrict the Group's liability for death or personal injury resulting from its negligence. Multicomp Pro is the registered trademark of Premier Farnell Limited 2019.

Newark.com/multicomp-pro  
 Farnell.com/multicomp-pro  
 sg.element14.com/b/multicomp-pro

**multicomp** PRO