

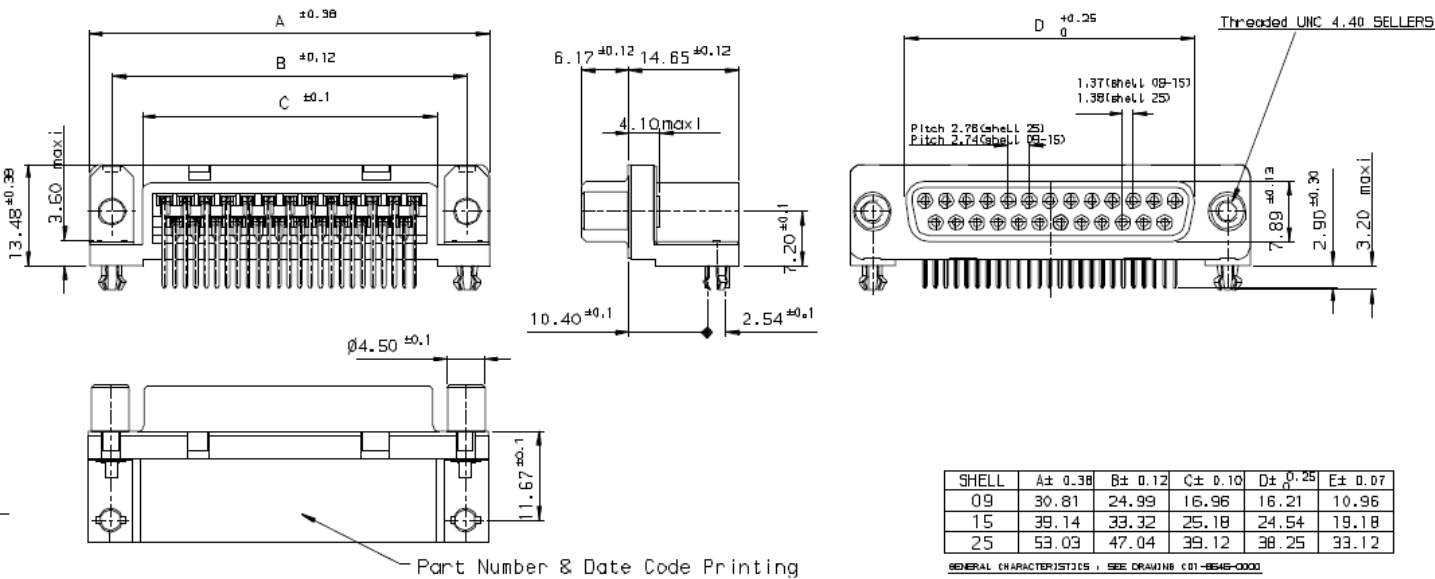
# Professionally approved products. Datasheet

## 37 Way Right Angle Through Hole Mount PCB D-sub Connector

RS Stock number 251-289



### Dimensions - mm



# Professionally approved products. Datasheet

## Dimensions - mm

PC card drilling dimensions (after plating)

(thickness  $1.60 \pm 0.20$  mm)

