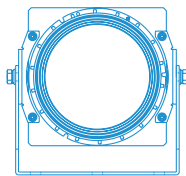


# LED FLOODLIGHT



## MFL 1 SERIES



### Key Features

- Triac dimming compatible (**220V-240VAC & 100V-120VAC only**)
- Designed with reliable AC driver on board to enhance the service life
- Rapid heat-dissensing design to prolong lamp life and optimise lumen output
- Long service life of 100,000 hours @ 50°C (Ta)
- Compact and lightweight design
- Interchangeable module
- Safety, EMC and IEC compliance

### Application

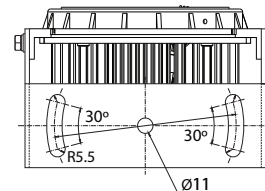
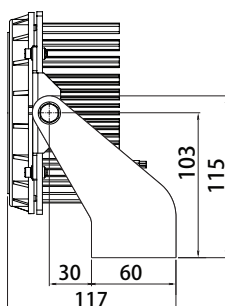
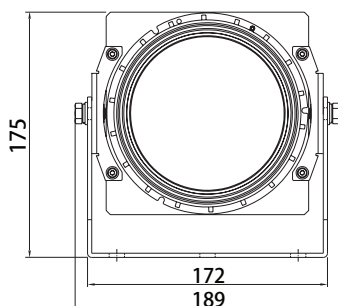
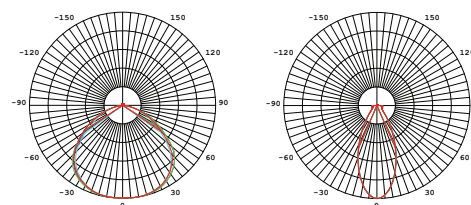
Decks, Marinas, Docks, Ports, Warehouses

### Material

Marine grade aluminium alloy with powder coating, comes with 4mm tempered glass front cover

### Weight

1.9Kg



## TECHNICAL SPECIFICATIONS IP 66

Ideal Replacement:



| BH Code     | Type     | Main Voltage   | Power | CCT   | Beam Angle | Ambient Temp (Ta) | System Lumen |
|-------------|----------|----------------|-------|-------|------------|-------------------|--------------|
| LAMFL15FA2S | MFL1FA2S | 220V - 240V AC | 56W   | 5000K | 120°       | -40°C ~ +50°C     | 5200lm       |
| LAMFL15NA2S | MFL1NA2S | 220V - 240V AC | 56W   | 5000K | 40°        | -40°C ~ +50°C     | 5200lm       |
| LAMFL15FA1S | MFL1FA1S | 100V - 120V AC | 56W   | 5000K | 120°       | -40°C ~ +50°C     | 5200lm       |
| LAMFL15FDS  | MFL1FDS  | 24V DC         | 56W   | 5000K | 120°       | -40°C ~ +50°C     | 5200lm       |

Also available in other CCT and beam angle upon request.

