

Datasheet

Stainless Steel Toggle Latch, Spring Loaded, 29.2 x 13.1 x 6mm

RS Stock number [726-4153](#)

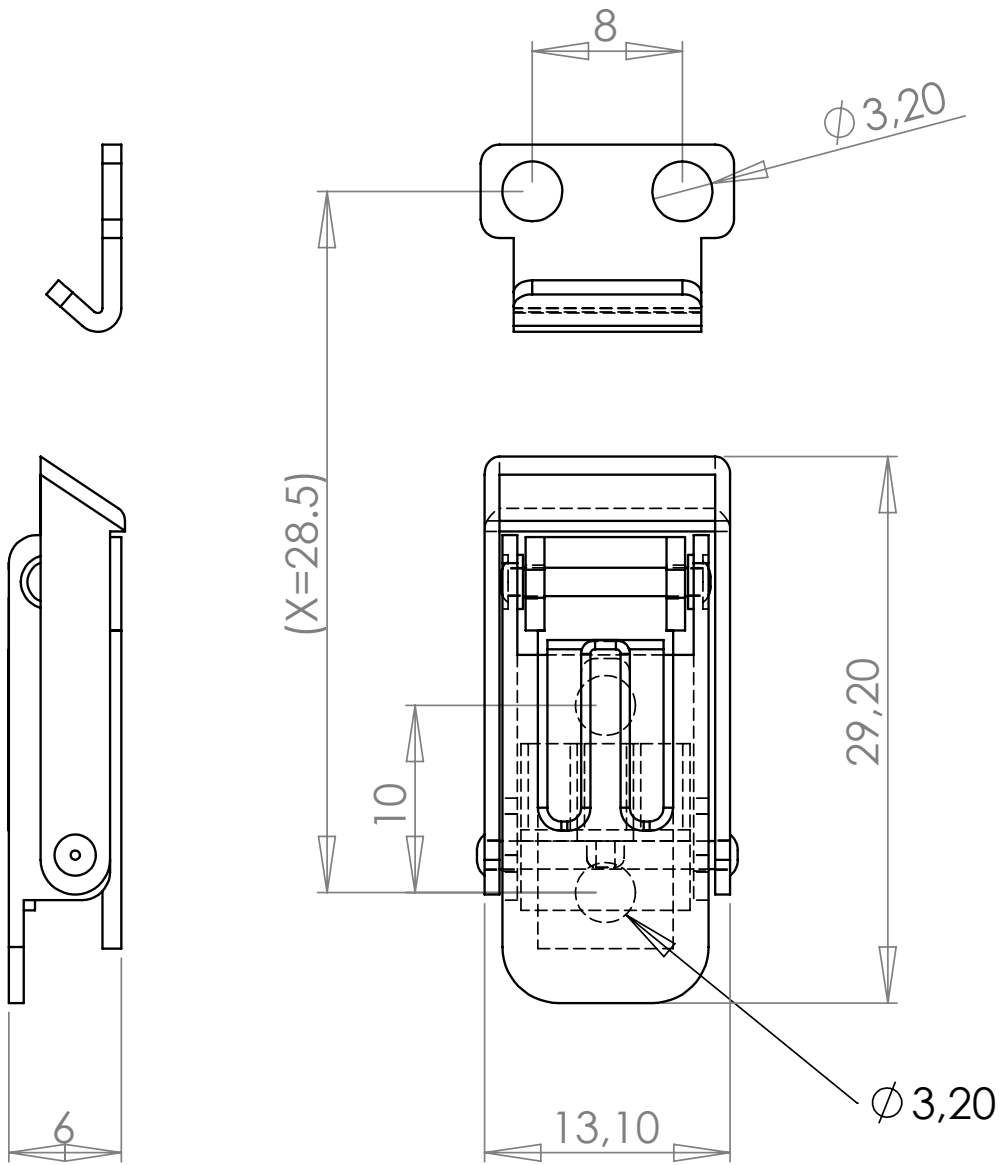


Description:

Spring latch with excellent anti-corrosion properties
Latch to catch distance 12mm

Features:

- Dimensions 29.2 x 13.1 x 6mm
- Length 29.2mm
- Material Stainless Steel
- Spring Loaded Yes



7264153 : S Steel Latch

(7264157 S Steel Catch Plate)