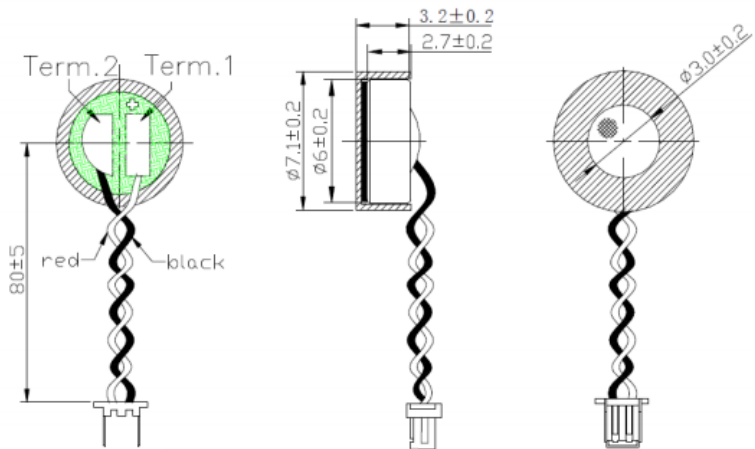


Datasheet

NewRS Omni-Directional 7.1mm Condenser Microphone Element, 50 → 16000 Hz -38dB

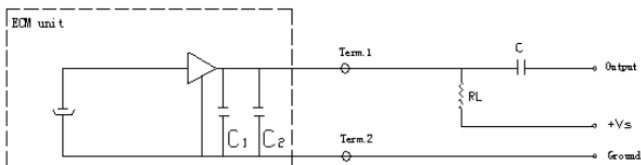
RS Stock 837-7862



Specifications

ABM-717-RC

Directivity	Omni directional
Terminal	With leads
Standard operating voltage	2V
Maximum operating voltage	10V
Maximum current consumption	0.5mA
Output impedance (F=1KHz 1Pa)	2.2KΩ
Frequency	50~16000H
Sensitivity (F=1KHz, 0dB=1VPa)	z -38±3dB
Sensitivity reduction (@ 1.5V~3.0V)	-3dB
Signal to noise ratio (F=1KHz 1Pa) A weighted	>60dB
Electrets type	Foil type
Material	Al
Storage temperature	-20°C~+60°C
Operating temperature	-20°C~+60°C
Wire type	UL1571 32AWG
Connector	51021-0200



C₁:10PF
C₂:33PF