

## Datasheet

# RS PRO VINYL-INSULATED (EASY ENTRY) PIN TERMINALS

Stock number: 178-8428

MAXIMUM ELECTRIC CURRENT:

A.W.G.	16	14
AMP.	18	30

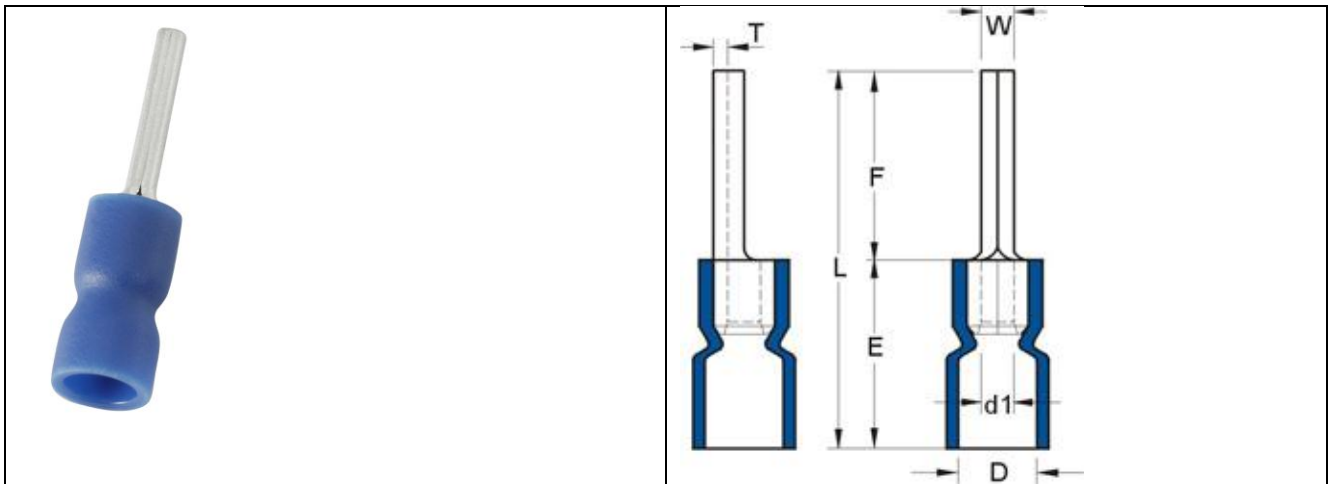
MAXIMUM ELECTRICAL RATING: 105° C 600 VOLTS MAX.

INSULATION MATERIAL: VINYL

TERMINAL MATERIAL: COPPER

INSULATION COLOR: BLUE

TERMINAL BARREL I.D.: C=2.3MM



WIRE RANGE A.W.G. mm <sup>2</sup>	ITEM NO. BUTTED SEAM	DIMENSION inch(mm)							
		W	F	L	E	D	d1	T	
16-14 A.W.G.	178-8428	0.075	0.472	0.917	0.453	0.177	0.091	0.031	
1.5-2.5 mm <sup>2</sup>		1.9	12	23.3	11.5	4.500	2.3	0.8	