

Digital Push Pull Force Gauge

DTG series

Push

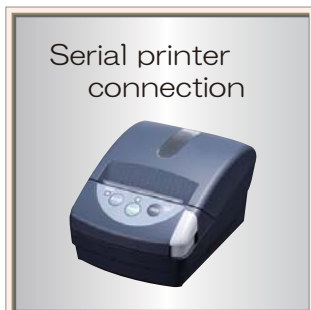
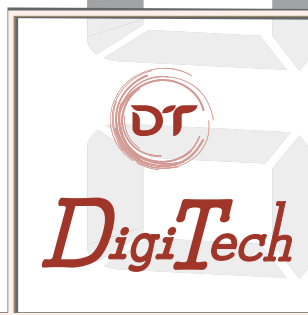
Pull

Insertion
Removal

Contact
point

USB-C
port

Under the exertion of POWER
characteristic changes that are invisible
to the eye can be accurately digitized



- Many functions!
Simple operation !
- Charging from the USB port
is possible by installing USB-C.



Test stand
connection



Starting with PC connection and printer connection with a force gauge with excellent expandability, it connects to MITUTOYO's Digimatic (caliper) and various linear gauges and displays the displacement value along with the load value on the LCD panel.

List of DTG series

MODEL	DTG-10N	DTG-20N	DTG-50N	DTG-100N	DTG-200N	DTG-500N	DTG-1000N
Capacity	10N (1kgf)	20N (2kgf)	50N (5kgf)	100N (10kgf)	200N (20kgf)	500N (50kgf)	1000N (100kgf)
Resolution	0.001N (0.1gf)	0.01N (1gf)	0.01N (1gf)	0.01N (1gf)	0.1N (10gf)	0.1N (10gf)	0.1N (10gf)

DTG series specifications

Measuring shaft	M6
Measuring accuracy	±0.2% f.s
Measuring unit	N, kgf(gf), lb
Measuring cycle	1ms, 5ms, 16ms, 50ms (selectable)
Display renewal cycle	1, 2, 5, 10, 20times/sec (selectable)
Communication method	USB-C
Memory	1000 data
External input	Mitutoyo digimatic input, pulse input. (displacement meter) point ON,OFF load detection input.
Printer output	Serial output
Output for test stand	Load setting /displacement setting method UP,DOWN,STOP output.overload output(open collector output)
Analog output	±2V / f.s (load value only)
Tolerance judgment output	LOW · GOOD · HIGH LED lighting and output. (open collector output)
Display	H45mm×W50mm LCD. Load: 6digit, Displacement: 7digit. Battery remain quantity.
Dimension	H220mm×W74mm×D37mm
Weight	approx. 500g
Operationtemperature	0°C~40°C
Power source	Ni-MH battery. AC adapter input, USB-C
Standard accessory	6pcs jig. AC adapter.USB cable.Carrying case. Operation manual.Test Certificate

※ Specifications are subject to change without notice.

*1 DIGIMATIC and MITUTOYO are registered trademarks of Mitutoyo Corporation.

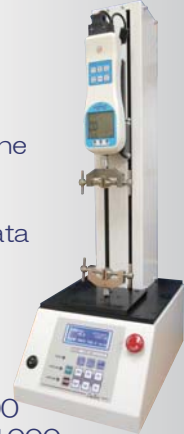
*2 Some models cannot be connected.

TEST STAND

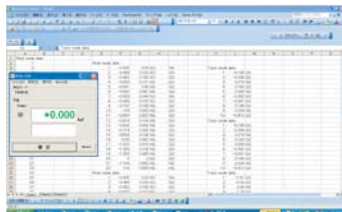
ASM-1000

When used in combination with the test stand ASM-1000, more stable load value and displacement value correlation data can be recorded.

In addition, waveform drawing recording and continuous CSV waveform data can be recorded with the PC software DTG-FX300 that comes standard with ASM-1000.



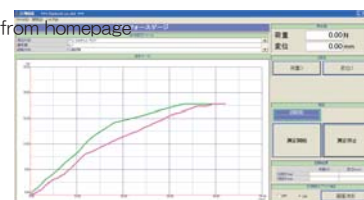
Free software DTG-FX10



Optional software DTG-FX100T DTG-FX100



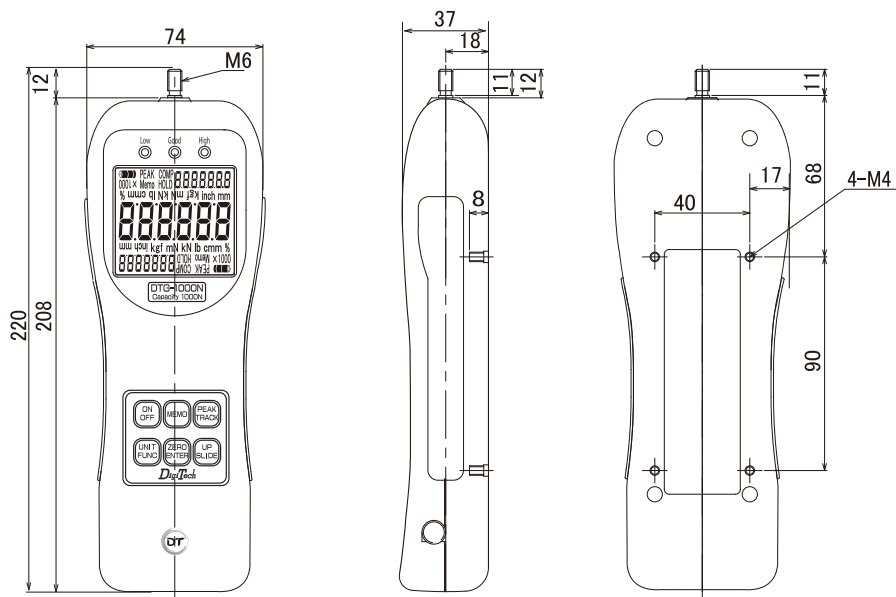
Time - Load



Displacement - Load

※Download free software from homepage

External view



Standard accessory jig



XJ-01 XJ-02 XJ-03 XJ-04 XJ-05

A length extension jig, one type of tension hook jig and four types of compression jigs are included as a standard.