

## Features

- Revolving and folding handle options
- Zinc plated steel hub
- Hand-wheel material: Phenoplast
- Revolving handle material: Glass-fibre reinforced technopolymer
- Various sizes available

## RS PRO Spoked Hand Wheel with Revolving Handle

RS Stock No.: 161-1987



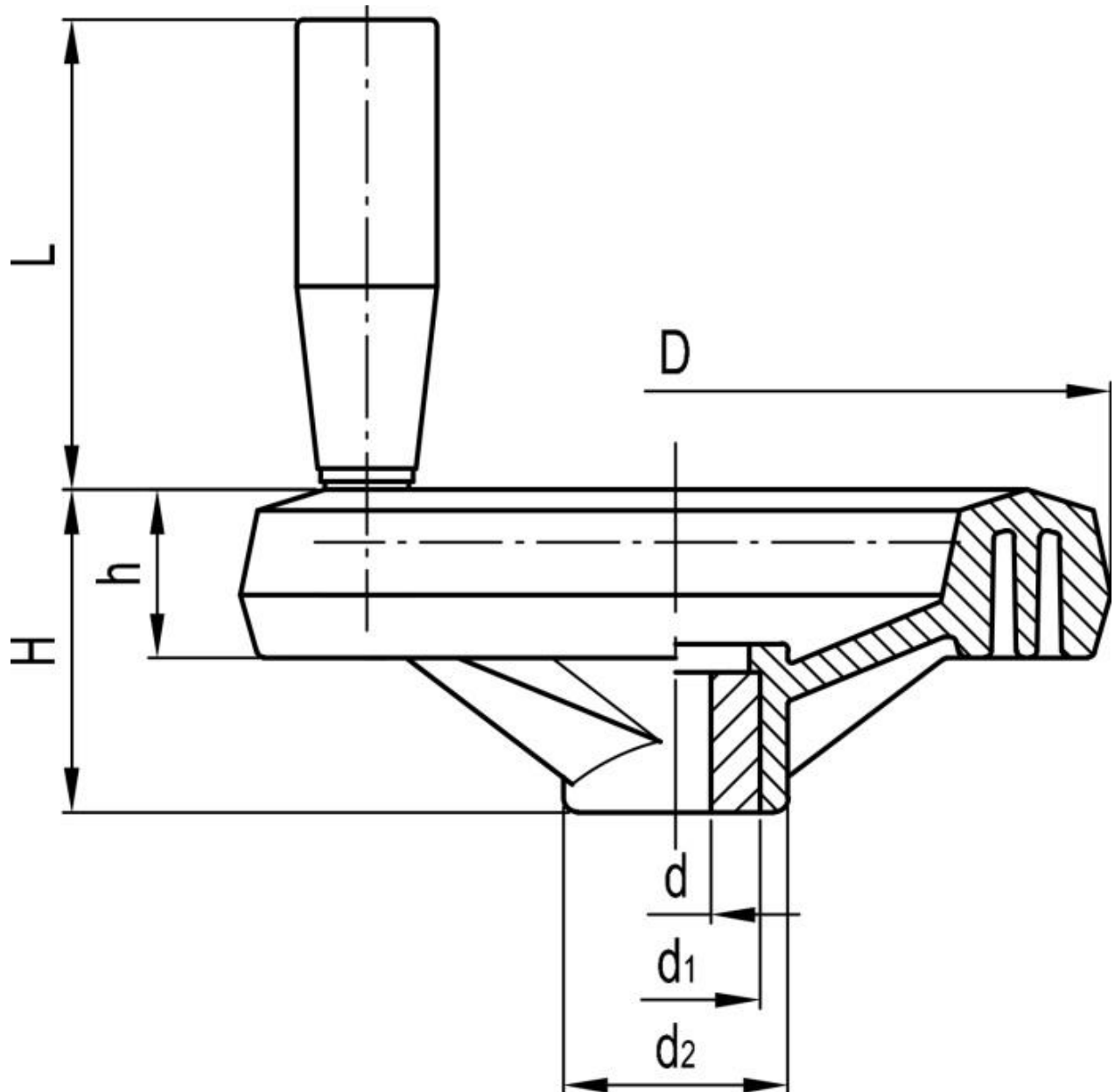
RS PRO Professionally Approved Products bring to you professional quality parts across all product categories. Our product range has been tested by engineers and provides a comparable quality to the leading brands without paying a premium price.

## Product Description

The RS PRO Spoked Hand Wheel with Revolving Handle offers an ergonomic design that ensures a positive and comfortable grip even in oily conditions. To ensure that the continuous rotating action this hand-wheel provides the highest level of grip and comfort, a high-quality glass-fibre reinforced techno-polymer revolving and folding handles are available as an option.

## General Specifications

Handle Type	Revolving
Spoked	Yes
Wheel Diameter	80 mm
Mounting Hole Diameter	10 mm
Mounting Hole Depth	17 mm
Drilled Hub	Yes
Wheel Material	Technopolymer
Insert Material	Steel
Colour	Black



D	d	H	h	d1	d2	L
80 mm	10 mm	35 mm	18 mm	18 mm	24 mm	50 mm