

FEATURES

- Heavy-duty die cast zinc handle
- Designed for repetitive fixing or clamping
- Ideal for use in small spaces
- Blackened steel inserts
- M5 to M12 thread sizes

RS PRO Clamping Lever, M8 x 32mm

RS Stock No.: 478-103



RS Professionally Approved Products bring to you professional quality parts across all product categories. Our product range has been tested by engineers and provides a comparable quality to the leading brands without paying a premium price.

Product Description

These die cast zinc clamping leavers with a steel metric male thread from our own RS PRO brand are designed primarily to tighten or loosen screws eliminating the need for any special tools or wrenches. Clamp levers are ideal for use in hard to reach or confined spaces. Clamp levers are available in a range of thread sizes and stem lengths to suit a wide variety of applications.

General Specifications

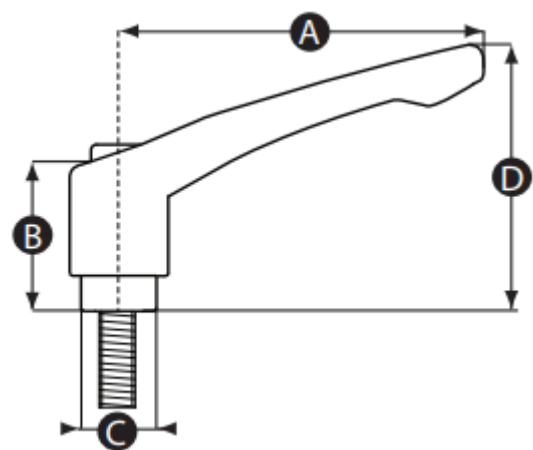
| | |
|------------------------|--|
| Lever Type | Clamping Lever |
| Thread Gender | Male |
| Thread Size | M8 |
| Handle Material | Die Cast Zinc |
| Shaft Material | Stainless Steel |
| Insert Material | Stainless Steel |
| Colour | Black |
| Applications | Clamping levers are utilised in applications where screws are repeatedly tightened or loosened. They are useful when machinery must be swapped over, maintained or height adjustment is required regularly; Height Adjustment - Clamping levers can be used to adjust the height of tripods or metal framework and stands; Machinery Maintenance - Clamping levers are used to release fixings while performing critical machine maintenance. The time saving device allows for quick release and retightening of screws saving valuable machine down time |

Mechanical Specifications

| | |
|----------------------|------|
| Thread/Insert Length | 32mm |
| Length | 65mm |

Approvals

| | |
|---------------------------|--------------------------------|
| Compliance/Certifications | RoHS Certificate Of Compliance |
|---------------------------|--------------------------------|



| Part No. | A | B | C | D | Thread size | Thread length (mm) | Insert material | Handle Colour |
|----------|----|----|----|----|-------------|--------------------|-----------------|---------------|
| 478276 | 42 | 25 | 10 | 37 | M5 | 16 | Steel | Black |
| 479015 | 42 | 25 | 10 | 37 | M5 | 20 | Steel | Black |
| 479009 | 42 | 25 | 10 | 37 | M6 | 16 | Steel | Black |
| 478995 | 42 | 25 | 10 | 37 | M6 | 20 | Steel | Black |
| 479011 | 42 | 25 | 10 | 37 | M6 | 32 | Steel | Black |
| 478866 | 42 | 25 | 10 | 37 | M6 | 16 | Stainless Steel | Black |
| 478084 | 42 | 25 | 10 | 37 | M6 | 20 | Stainless Steel | Black |
| 478860 | 42 | 25 | 10 | 37 | M6 | 32 | Stainless Steel | Black |
| 478816 | 65 | 31 | 14 | 49 | M8 | 16 | Steel | Black |
| 478826 | 65 | 31 | 14 | 49 | M8 | 20 | Steel | Black |
| 478292 | 65 | 31 | 14 | 49 | M8 | 25 | Steel | Black |
| 478298 | 65 | 31 | 14 | 49 | M8 | 32 | Steel | Black |
| 478305 | 65 | 31 | 14 | 49 | M8 | 40 | Steel | Black |
| 478254 | 65 | 31 | 14 | 49 | M8 | 50 | Steel | Black |
| Part No. | A | B | C | D | Thread size | Thread length (mm) | Insert material | Handle Colour |
| 478129 | 65 | 31 | 14 | 49 | M8 | 20 | Stainless Steel | Black |
| 478125 | 65 | 31 | 14 | 49 | M8 | 25 | Stainless Steel | Black |
| 478103 | 65 | 31 | 14 | 49 | M8 | 32 | Stainless Steel | Black |
| 478080 | 65 | 31 | 14 | 49 | M8 | 40 | Stainless Steel | Black |
| 478090 | 65 | 31 | 14 | 49 | M8 | 50 | Stainless Steel | Black |
| 478309 | 78 | 36 | 16 | 57 | M10 | 20 | Steel | Black |
| 478882 | 78 | 36 | 16 | 57 | M10 | 32 | Steel | Black |
| 478872 | 78 | 36 | 16 | 57 | M10 | 40 | Steel | Black |
| 478848 | 78 | 36 | 16 | 57 | M10 | 50 | Steel | Black |
| 478096 | 78 | 36 | 16 | 57 | M10 | 20 | Stainless Steel | Black |
| 478315 | 78 | 36 | 16 | 57 | M10 | 32 | Stainless Steel | Black |
| 478282 | 78 | 36 | 16 | 57 | M10 | 40 | Stainless Steel | Black |
| 478888 | 92 | 43 | 19 | 65 | M10 | 20 | Steel | Black |
| 478898 | 92 | 43 | 19 | 65 | M10 | 32 | Steel | Black |
| 478894 | 92 | 43 | 19 | 65 | M10 | 40 | Steel | Black |
| 478876 | 92 | 43 | 19 | 65 | M10 | 50 | Steel | Black |
| 478264 | 92 | 43 | 19 | 65 | M10 | 50 | Stainless Steel | Black |
| 478844 | 92 | 43 | 19 | 65 | M12 | 32 | Steel | Black |

Levers



| | | | | | | | | |
|--------|----|----|----|----|-----|----|-----------------|-------|
| 478854 | 92 | 43 | 19 | 65 | M12 | 40 | Steel | Black |
| 478850 | 92 | 43 | 19 | 65 | M12 | 50 | Steel | Black |
| 478135 | 92 | 43 | 19 | 65 | M12 | 63 | Steel | Black |
| 478270 | 92 | 43 | 19 | 65 | M12 | 32 | Stainless Steel | Black |
| 478276 | 92 | 43 | 19 | 65 | M12 | 40 | Stainless Steel | Black |
| 478260 | 92 | 43 | 19 | 65 | M12 | 50 | Stainless Steel | Black |
| 478169 | 92 | 43 | 19 | 65 | M12 | 63 | Stainless Steel | Black |