

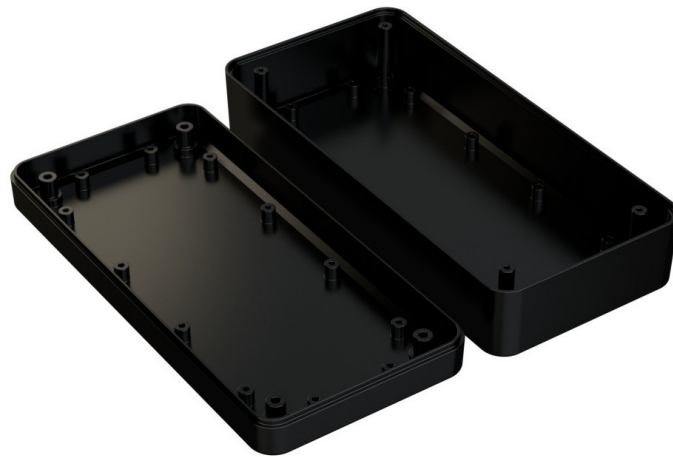


Datasheet

RS PRO Two-Part Enclosures

Stock number: 1920765

EN

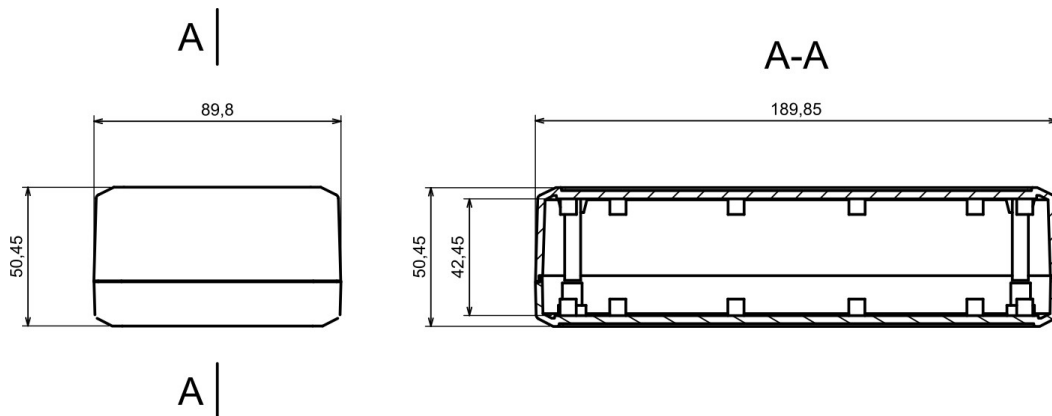


Product Details

Two-part enclosure is made of black ABS. The enclosure provides IP54 and IK07 rating it is ideal for applications that doesn't require hermetic seal. Lid manufactured with recess for mambrane keypads and overlays.

Features and Benefits

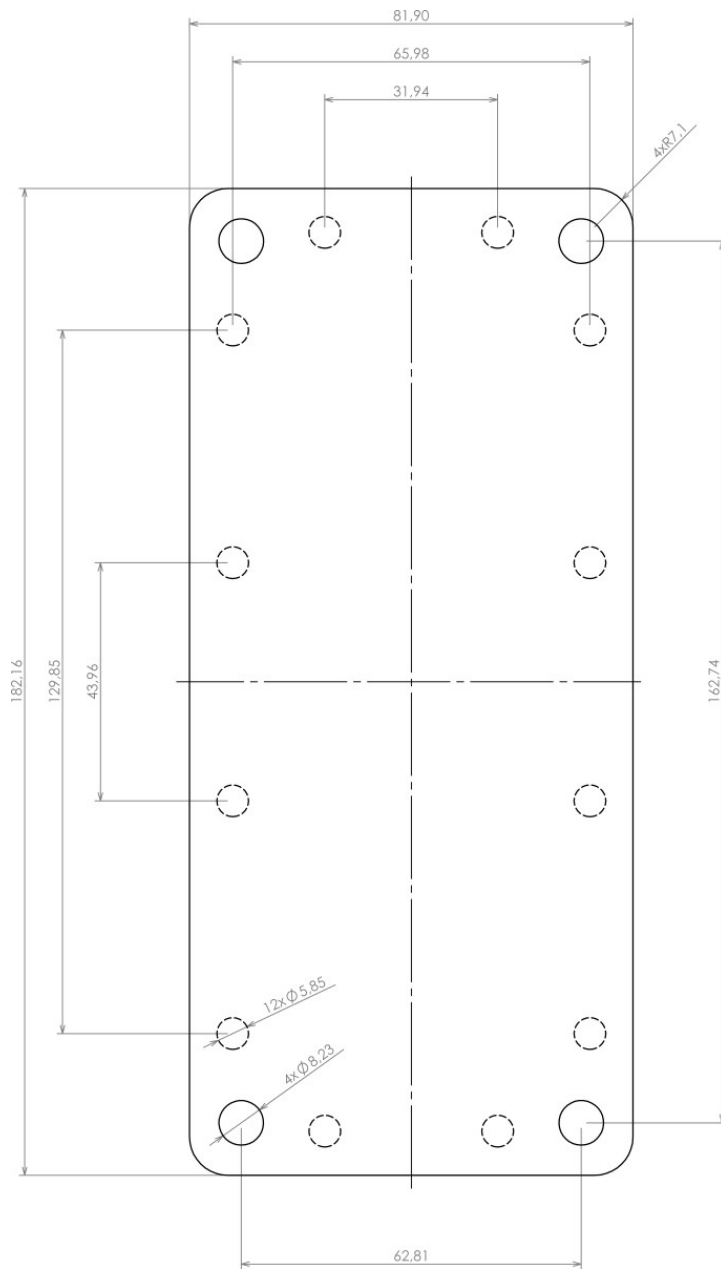
- Made of ABS
- Available in black color
- Protection against liquids and solid objects: IP54 rating
- Shock protection level: IK07 rating
- Supplied with four screws for assembly



Category	Two-part Enclosures
Type	Full
Material	ABS
Option	Without gasket
Height	50.5 mm
Width	89.8 mm
Length	189.9 mm
Colour	Black
Protection level	IP54
Property class	IK07
Standards Met	RoHS Compliant
Accessories	Screw 3.5/25: 4.0 pcs
Certificate number	CE/031/18



Max PCB size



Dashed line shows outline of the mounting boss under PCB board
Recommended mounting holes diameter $\phi 3,5\text{mm}$
All dimensions are given within $\pm 0,5\text{mm}$ tolerance