

## FEATURES

- IP67
- Flush-type socket
- Rear/ screw mounting with M16 thread

## RS PRO M12 FEMALE REAR PANEL MOUNT 5 PIN 16X1.5 mm THREAD WITH 1 m SHIELDED 5 CORE PUR CABLE

RS Stock No.: 2080584



RS Professionally Approved Products bring to you professional quality parts across all product categories. Our product range has been tested by engineers and provides a comparable quality to the leading brands without paying a premium price.

## Product Description

### ATTRIBUTE 1

## Flush Type M12 Connectors, M16 Thread Types, Free End PUR Cable

M12 flush mount connectors with 1M of PUR cable, These 5 way panel mount connectors are A-coded with a free end of PUR cable measuring 1 metre in length, with 5 x 0.34mm<sup>2</sup> wires to terminate to your particular application, IP67 rated once mated and with a PG9 fastening thread

## Features & Benefits

Contact Plating: Gold plated Supplied with a neoprene O-Ring

Number of poles: 5

Both Female and Male versions available

## General Specifications

Rated Operational Voltage	60 V
Current Rating	4A
Insulation Resistance	>= 100 MΩ
Temperature Range	-25°C ... +75°C
Mounting	Rear (M16 x 1.5)
Coding	A-Coded

## Material Specifications

Housing Material	Brass Ni Plated
Contact	Cu-Zn
Contact Plating	Gold Flash
Contact Carrier	Nylon 66
O-Ring	Neoprene
Pole	5
Clamp Nut	M16 x 1.5

## Cable Specifications

Cable Length-L	1 m
Cable Type	5 Core Shielded PUR Cable

# RS PRO M12 PANEL MOUNT MOULDED CONNECTOR



Cross Section of Wire	0.34 sq.mm
Termination	Partially Stripped
Core Dia	1.3 mm
Cable Dia	5.5 ± 0.1 mm
Termination	Partially Stripped

## Protection Category

Degree of Protection	IP67
----------------------	------

## Additional Information

Custom Tariff Number	85369090
----------------------	----------

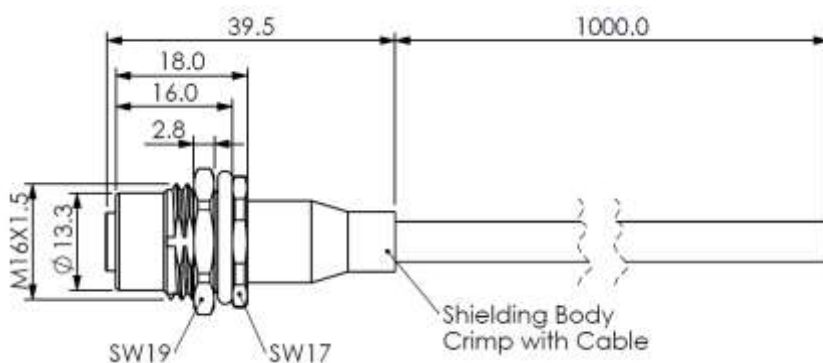
## Approvals

Standards Met	IEC 61076-2-101
---------------	-----------------

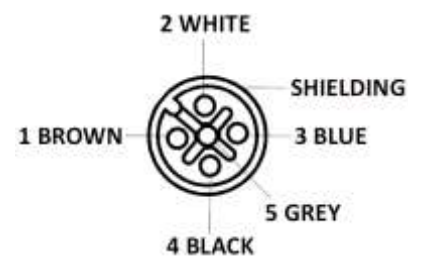
## Similar Products

Stock No.	Brand	Product Name	Attribute 1	Attribute 2
144-7653	RS PRO	RS PRO M12 Single Ended Shielded cable Assembly 4 Pin 2m	Industrial Automation Cable Assemblies	Actuator/Sensor Cable

## Connection Diagrams / Assembly Diagrams / Illustrations / Accessories



Dimensions are in mm.



## Panel Cutout

