

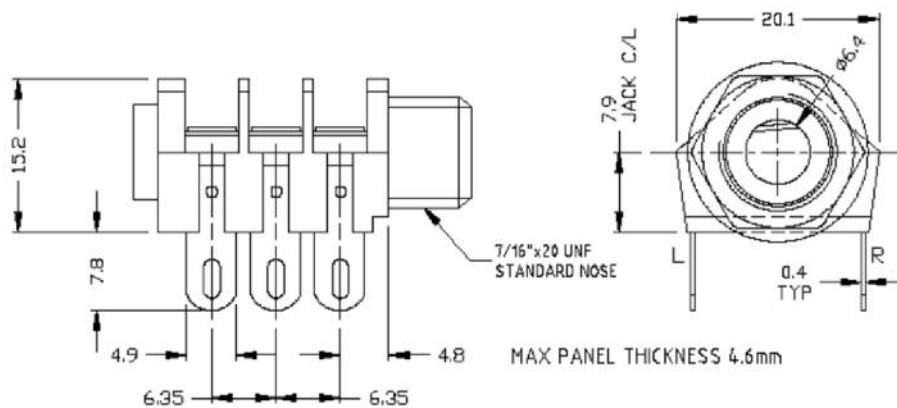


ENGLISH

Datasheet

RS PRO 6.35mm Panel Mount Stereo Jack Socket, 3 Pole 5A

Stock No: 175-0158



SPECIFICATION

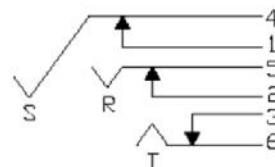
Withstand voltage: 2000V DC Min.

Maximum Current: 5A

Temperature Rating: -10° C to +70° C

Life (Minimum): 10,000+ Operations

Nominal Contact Resistance: <50mΩ



STEREO (R/R) JACK
CONTACTS OPEN WHEN
INSERTED + CLOSE WHEN
JG IS WITHDRAWN.