

FEATURES

- Rated currents from 65A
- General purpose four-wire filtering
- Voltage rating 300 and 520VAC for world wide acceptance

RS PRO 65A 520 V ac, Chassis Mount Power Line Filter - 3 Phase

RS Stock No.: 237-8767,237-8768



RS Professionally Approved Products bring to you professional quality parts across all product categories. Our product range has been tested by engineers and provides a comparable quality to the leading brands without paying a premium price.

Product Description

- Mainframe computer systems
- High power office equipment
- UPS/SMPS
- Automation equipment

General Specifications

Protection against interference of voltage. Used as a main input filter, YX91 filters can keep the system reliable by restrain the conducted interference. Customized products according to customer's requirements

Mechanical Specifications

size	200X135X69.5mm (L X W X H)
weight	2Kgs

Electrical Specifications

Rated Voltage Max.	300/520VAC
Operating frequency	50/60Hz
Rated currents	65A
Hipot Rating	L-N: 1450VDC, L/N-G: 2250VDC

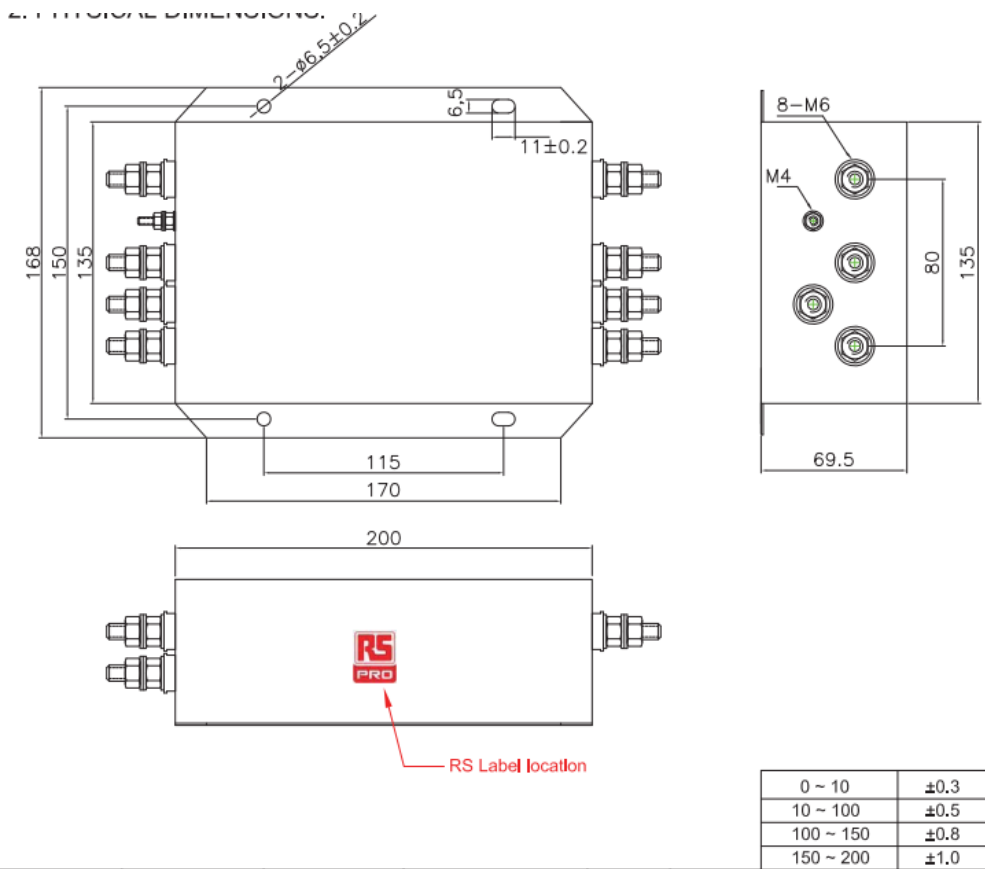
Protection Category

according to IEC 60529 IP40

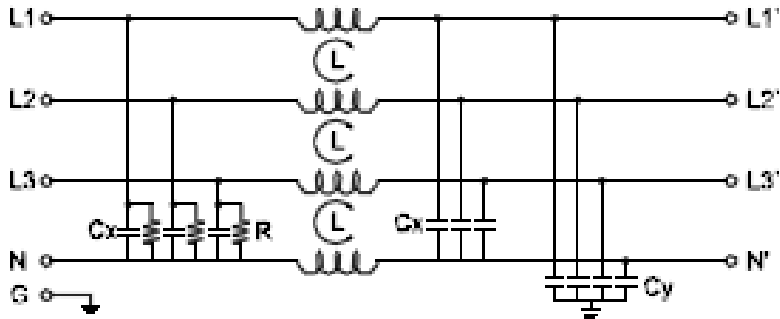
Approvals

Declarations	UL;ENEC;CE
Standards Met	UL1283, CSA C22.2 No.8; IEC/EN 60939,;

Physical Dimensions:



Electrical Schematic:



Insertion loss table(In 50ohm system according IEC/CISPR No.17)

——— Common mode - - - - - Differential mode
 65A

