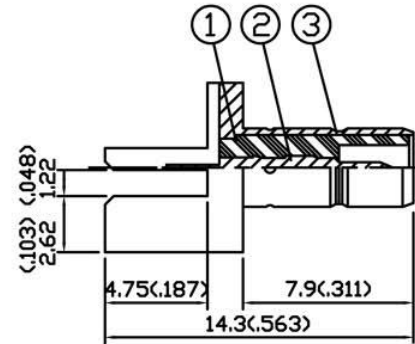
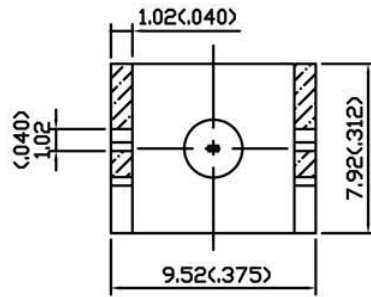
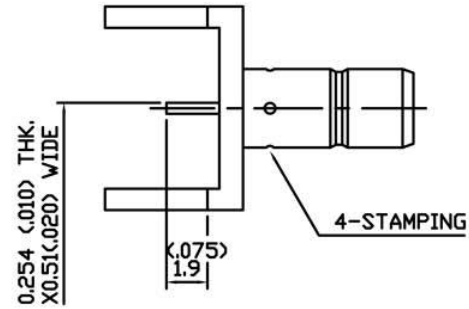
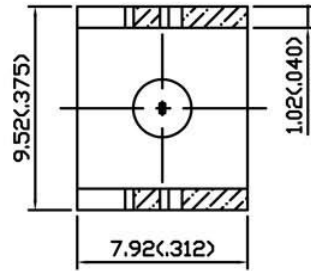


NO	DESCRIPTION	DATE
⚠	BACKGROUND FORMAT UPDATED	06.24.02'



NOTES: UNLESS OTHERWISE SPECIFIED

- BODIES: BRASS PER JIS-C3604
- CENTER CONTACT: BERYLLIUM COPPER PER JIS-C1730B
- INSULATION: TEFLON PER ASTM D1457 AND ASTM D1710
- CONNECTOR INTERFACE PER MIL-STD-348A
- PART TO BE CLEAN AND FREE OF BURRS



3	BODY	BRASS	1	GOLD 3 μ"MIN.
2	CENTER CONTACT	BERYLLIUM COPPER	1	GOLD 30 μ"MIN.
1	INSULATION	TEFLON	1	NONE
NO	DESCRIPTION	MATERIAL	Q'TY	FINISH

製圖	DRAWN	TOLERANCE		品名	24-14-11 (50Ω)	日期	DATE	版次	REV.
	袁金玉	X	±0.2						
檢圖	CHECK	單位	UNIT	DWG.NO.	24-0002	SCALE	4:1		
	袁金華								
認定	APPROVAL	.XXX	±0.05	比例					
	蘇文申	ANGLE	±5°						