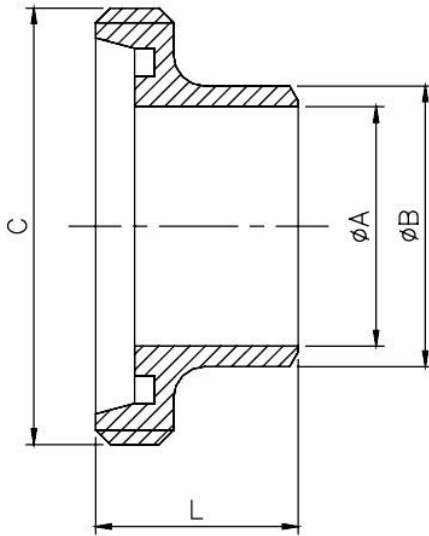




ENGLISH

Datesheet

DIN-15DA WELD MALE 11851



RS Code	SIZE	A	B	C	L
918-6194	DN15	16	19	RD34x1/8	21
918-6204	DN20	20	23	RD44x1/6	24
918-6207	DN25	26	29	RD52x1/6	29
918-6201	DN32	32	35	RD58x1/6	32
918-6210	DN40	38	41	RD65x1/6	33
918-6213	DN50	50	53	RD78x1/6	35

unit:mm

FEATURES

- Material : SS 304
- Applications : Food, Drinking Water