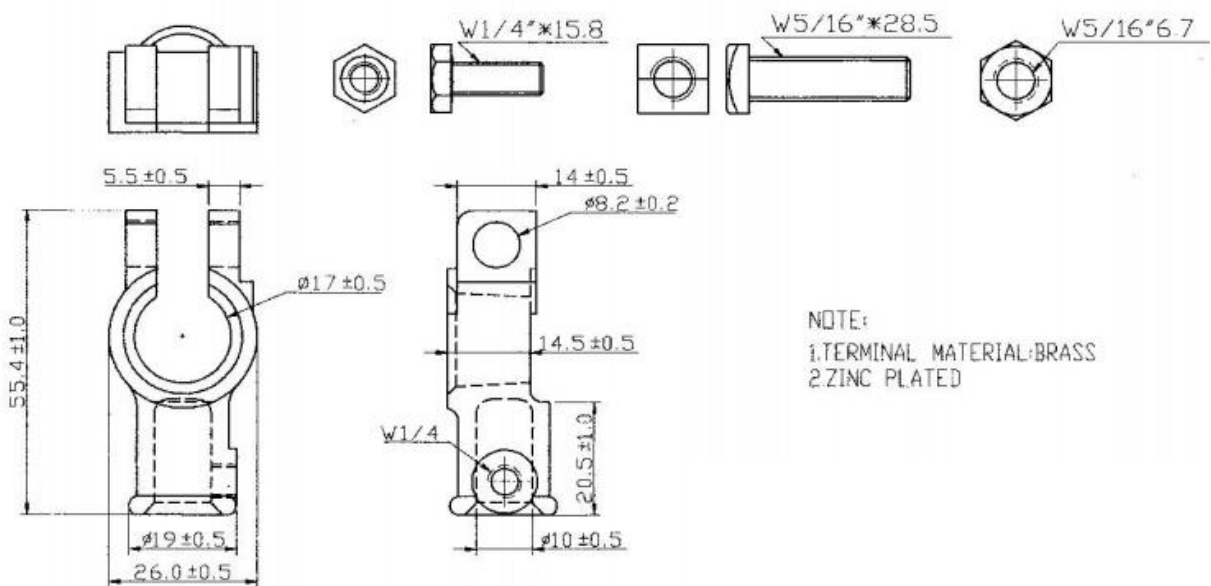


Datasheet

Size 2 lead acid battery terminal

RS Stock number [509-7633](#)

Dimensions: (mm)



Specification

- Terminal Material: Brass
- Zinc Plated
- Mounting Type: Screw