



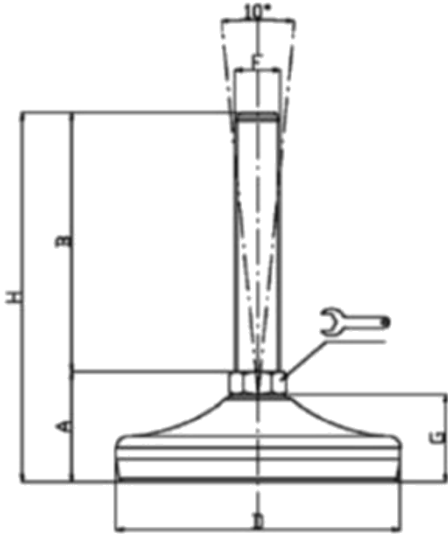
ENGLISH

Height Adjustable and Articulated Machinery Mount

Product Details

The VF mounts are used for levelling and support, it in many applications including lathes, milling machines, machining centers and conveyor systems. The base rubber is made of oil resistant NBR, with the **stainless-steel (-A2)** versions being commonly used in the food industry.

Dimensions & Range Table



RS Code	Product Code	A (mm)	B (mm)	D (mm)	F	G (mm)	H (mm)	Static Load kg	Metal type	Articulation Degrees
1623253	VF4010M12100-2	15	100	40	M12	8	118	900	MS	3
1623257	VF8025M12150-2	35	150	80	M12	25	85	1000	MS	10
1623258	VF8025M10100-2	35	100	80	M10	25	135	1000	MS	10
1623262	VF8025M10100- A2-2	35	125	80	M10	25	160	1000	A2	10
1623259	VF10045M16125- A2-2	42	125	100	M16	30	167	1500	A2	10
1623263	VF12032M16125- A2-2	47	125	120	M16	32	172	3000	A2	10
1623265	VF10030M20125- A2-2	42	125	100	M20	30	167	3000	A2	10

MS – Mild Steel A2 – SS304 Stainless Steel

NBR 70 Shore A Rubber Pads

Load values above mentioned are to be considered using static conditions and are calculated at half of the screw length. In presence of dynamic loads these values should be suitably reduced (please consult our selection guide for details)