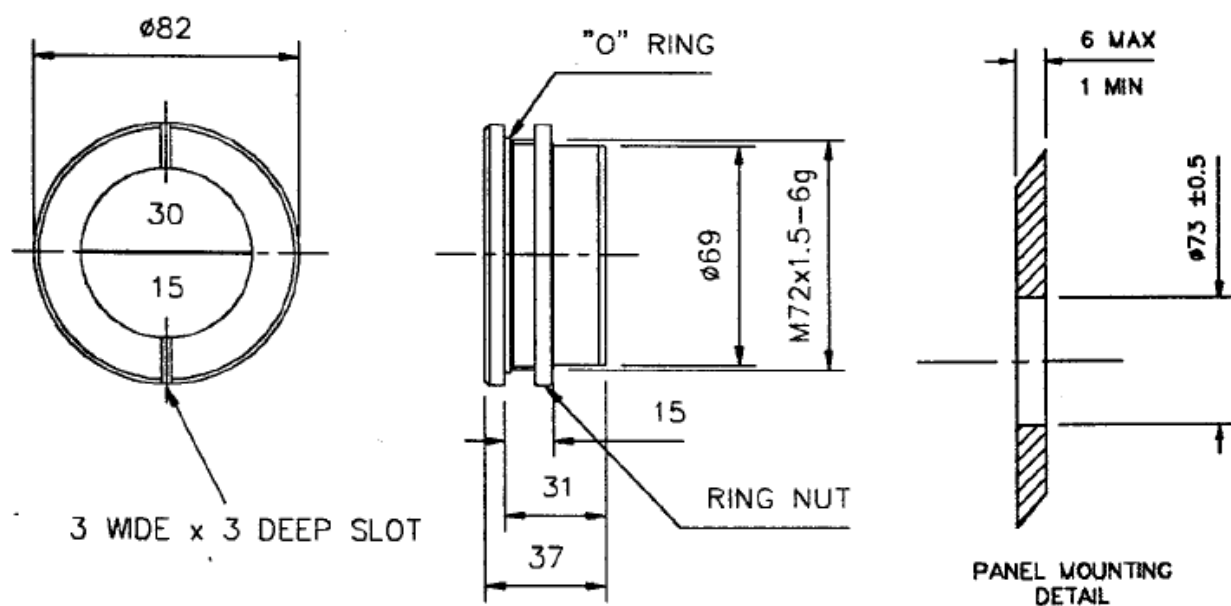


Datasheet

Humidity Indicating Desiccator Molecular Sieve, 50g

RS Stock number [838-776](#)

Dimensions: mm



Specifications

Material: Plastic (polycarbonate)

Colour: Black

Operating Temperature: Maximum 110°C Minimum -50°C

Environmental Protection: Resistant to alcohols, ethers, hydrocarbons, weak acids and bases.

Reactivation: Not possible

Maximum Pressure: 1 bar gauge

Maximum Leak Rate: 1×10^{-2} cc/sec

Humidity indicating level 15%RH@20°C / 30%RH@20°C

Tightening Torque: 2Nm