

Datasheet

RS PRO RS-H24B Heavy Duty Housing



The RS PRO Heavy-Duty Connector series is a full range of heavy-duty inserts, housings, crimps and accessories. The housing is produced from corrosion resistant, powder coated, die cast Aluminium with locking levers made from galvanized Iron. These are available in standard or tall variations with both single and double locking options and offer IP65 protection. Created for applications that are subjected to harsh environments or where high vibration can cause standard connectors to fail makes these connectors ideal for food & beverage manufacturing, packaging machines, conveyor belt systems, railway, oil & gas processing and other industrial automation. The entire range of connectors are RoHS compliant and as with all RS PRO products, offer exceptional value for money.

Features & Benefits:

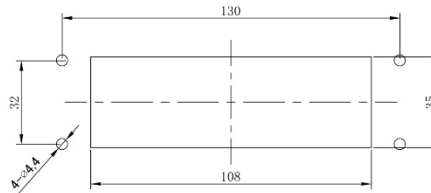
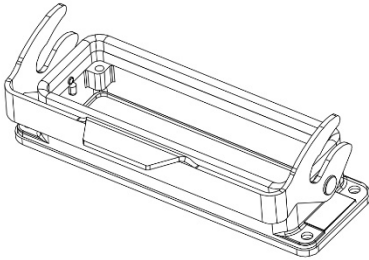
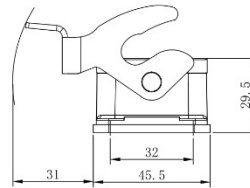
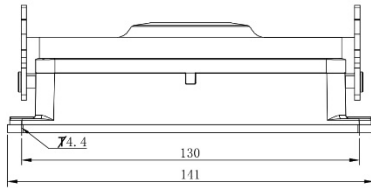
- Aluminium Die Cast Housing
- Powder Coated Surface
- IP65
- For use with PG or M style Cable Glands
- Fits RS PRO Heavy Duty Inserts

Quality Standards



Dimensional line drawings

Bulkhead Mount 1 Locking Lever 208-3958

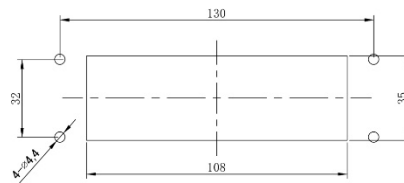
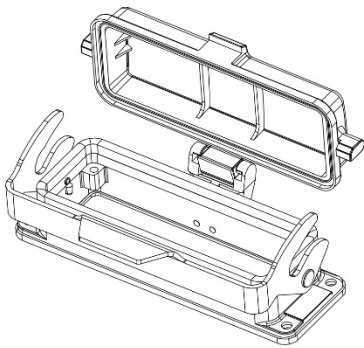
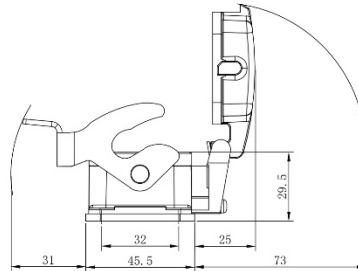
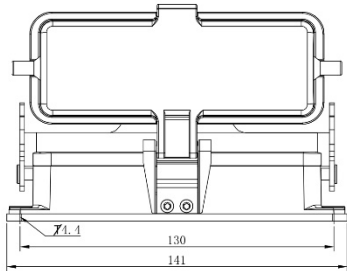


Panel cut out

- Technical specification:
- Material: Aluminium die-cast
 - Surface: powder-coated
 - Colour: (grey)
 - Temperature range: -40°C - +125°C
 - Degree of Protection: IP65 (acc.to IEC 60529 for coupled connector)
 - Locking element:
 - locking type: single locking latch
 - material: metal galvanized/nickel plating
 - Cable entry: bottom entry
 - Hoods/Housings sealing: NBR

Dimensional line drawings

Bulkhead Mount 1 Locking Lever with Plastic Cover 208-3959



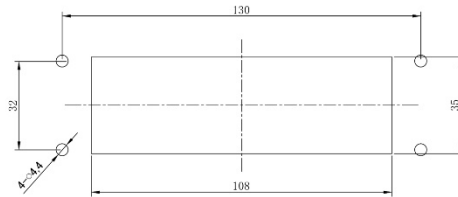
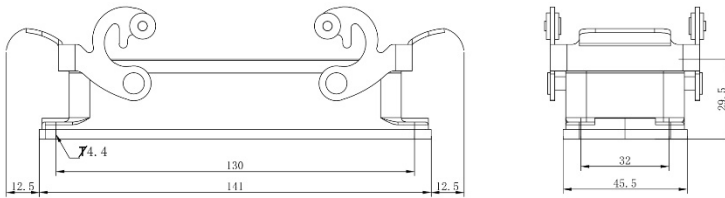
Panel cut out

Technical specification:

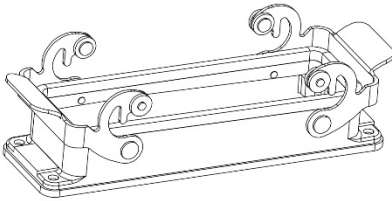
- Material: Aluminium die-cast
- Material, cover: PC
- Surface: powder-coated
- Colour: (grey)
- Temperature range:
 - 40°C - +125°C
- Degree of Protection: IP65
(acc.to IEC 60529 for coupled connector)
- Locking element:
 - locking type: single locking latch
 - material: metal galvanized/nickel plating
- Cable entry: bottom entry
- Hoods/Housings sealing: NBR

Dimensional line drawings

Bulkhead Mount 2 Locking Levers 208-3960



Panel cut out

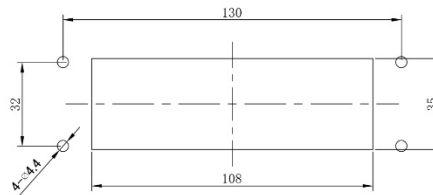
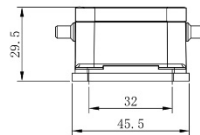
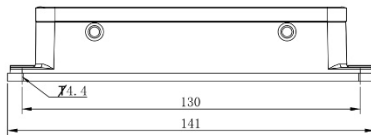


Technical specification:

- Material: Aluminium die-cast
- Surface: powder-coated
- Colour: (grey)
- Temperature range:
 - 40°C - +125°C
- Degree of Protection: IP65
(acc.to IEC 60529 for coupled connector)
- Locking element:
 - locking type: double locking latch
 - material: stainless steel
- Cable entry: bottom entry
- Hoods/Housings sealing: NBR

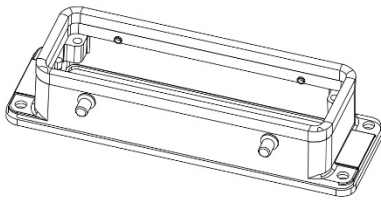
Dimensional line drawings

Bulkhead Mount 4 Locking Points 208-3961



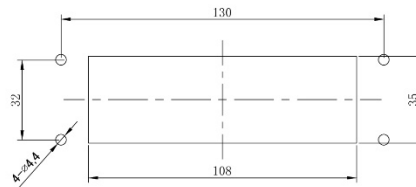
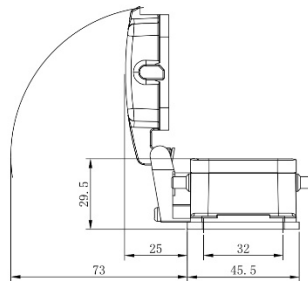
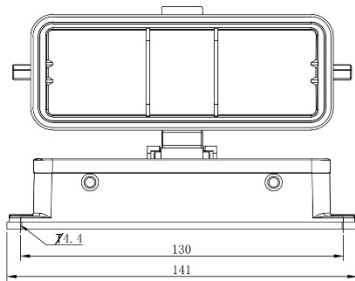
Panel cut out

- Technical specification:
- Material: Aluminium die-cast
 - Surface: powder-coated
 - Colour: (grey)
 - Temperature range:
 - 40°C - +125°C
 - Degree of Protection: IP65
(acc.to IEC 60529 for coupled connector)
 - Cable entry: bottom entry
 - Hoods/Housings sealing: NBR



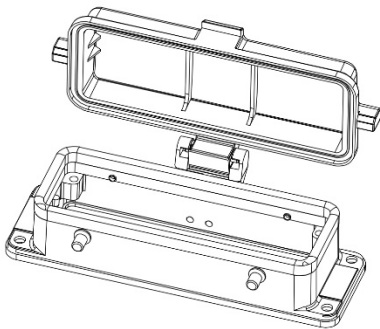
Dimensional line drawings

Bulkhead Mount 4 Locking Points with Plastic Cover 208-3963



Panel cut out

- Technical specification:
- Material: Aluminium die-cast
 - Material, cover: PC
 - Surface: powder-coated
 - Colour: (grey)
 - Temperature range: -40 °C - +125 °C
 - Degree of Protection: IP65
(acc.to IEC 60529 for coupled connector)
 - Cable entry: bottom entry
 - Hoods/Housings sealing: NBR



Dimensional line drawings

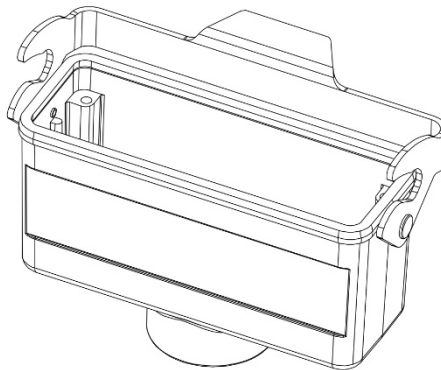
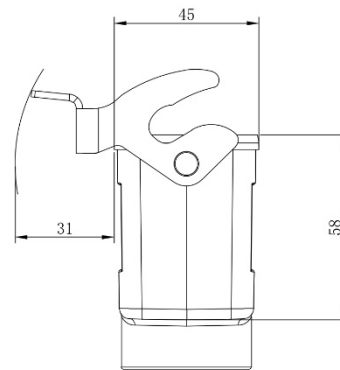
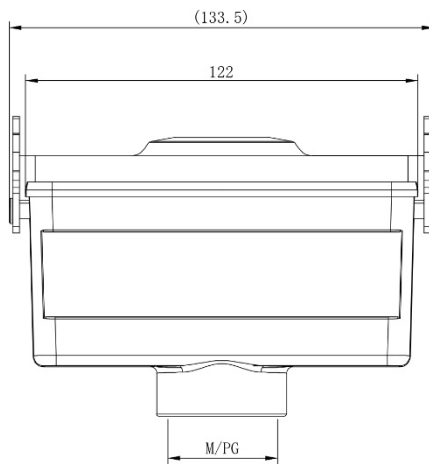
Cable to Cable 1 Locking Lever

M25 = 208-3964

M32 = 208-3965

PG21 = 208-3966

PG29 = 208-3967



- Technical specification:
- Material: Aluminum die-cast
 - Surface: powder-coated
 - Colour: (grey)
 - Temperature range:
 - 40°C - +125°C
 - Degree of Protection: IP65
(acc.to IEC 60529 for coupled connector)
 - Locking element:
 - locking type: single locking latch
 - material: metal galvanized/nickel plating
 - Cable entry: top entry
 - No. of cable entries: 1
 - Thread size: M/PG
 - Hoods/Housings sealing: NBR

Dimensional line drawings

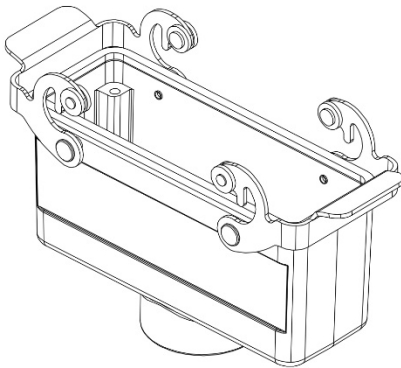
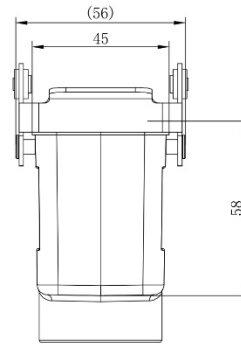
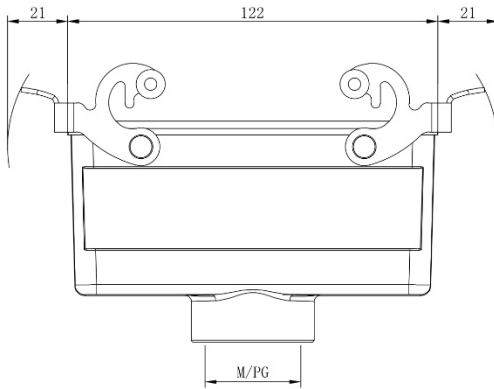
Cable to Cable 2 Locking Levers

M25 = 208-3968

M32 = 208-3969

PG21 = 208-3970

PG29 = 208-3971



Technical specification:

- Material: Aluminium die-cast
- Surface: powder-coated
- Colour: (grey)
- Temperature range:
 - 40°C - +125°C
- Degree of Protection: IP65
(acc.to IEC 60529 for coupled connector)
- Locking element:
 - locking type: double locking latch
 - material: stainless steel
- Cable entry: top entry
- No. of cable entries: 1
- Thread size: M/PG
- Hoods/Housings sealing: NBR

Dimensional line drawings

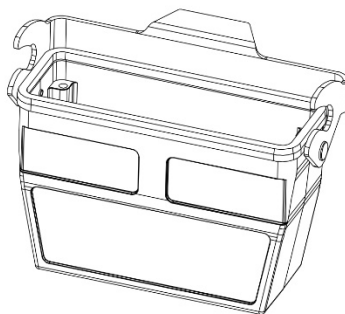
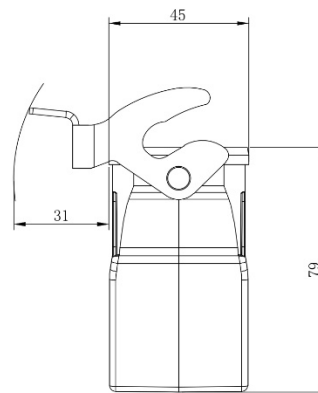
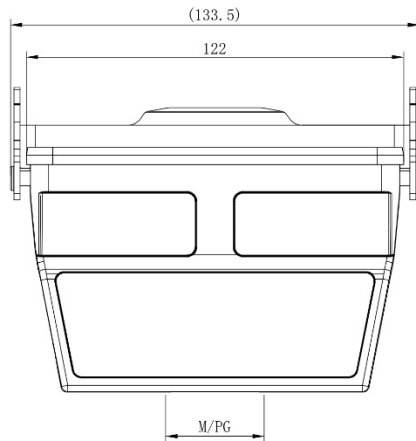
Cable to Cable High 1 Locking Lever

M32 = 208-3972

M40 = 208-3973

PG21 = 208-3974

PG29 = 208-3975



Technical specification:

- Material: Aluminium die-cast
- Surface: powder-coated
- Colour: (grey)
- Temperature range:
 - 40°C - +125°C
- Degree of Protection: IP65
(acc.to IEC 60529 for coupled connector)
- Locking element:
 - locking type: single locking latch
 - material: metal galvanized/nickel plating
- Cable entry: top entry
- No. of cable entries: 1
- Thread size: M/PG
- Hoods/Housings sealing: NBR

Dimensional line drawings

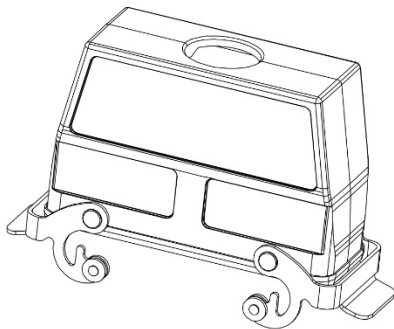
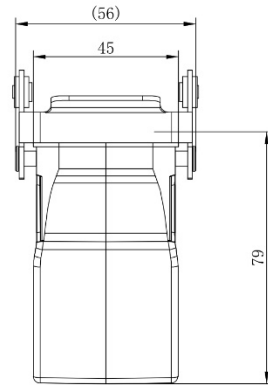
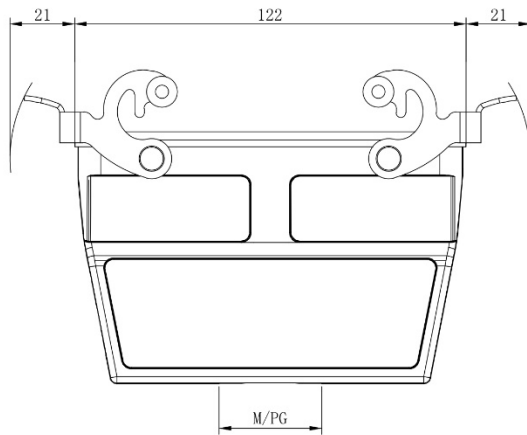
Cable to Cable High 2 Locking Levers

M32 = 208-3976

M40 = 208-3977

PG21 = 208-3979

PG29 = 208-3980



Technical specification:

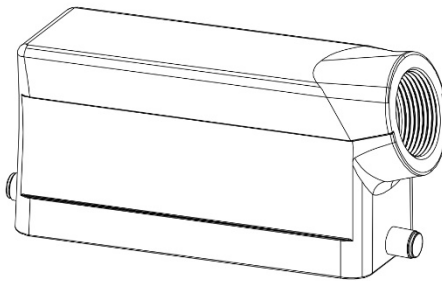
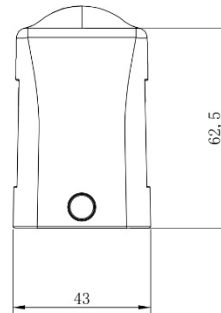
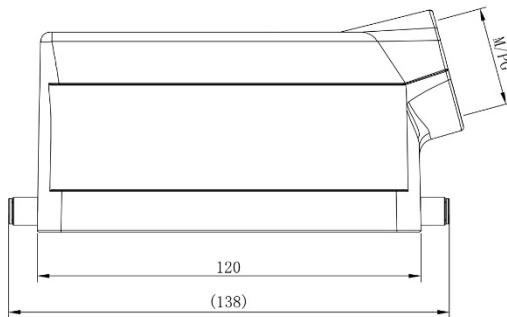
- Material: Aluminium die-cast
- Surface: powder-coated
- Colour: (grey)
- Temperature range:
 - 40°C - +125°C
- Degree of Protection: IP65
(acc.to IEC 60529 for coupled connector)
- Locking element:
 - locking type: double locking latch
 - material: stainless steel
- Cable entry: top entry
- No. of cable entries: 1
- Thread size: M/PG
- Hoods/Housings sealing: NBR

Dimensional line drawings

Side Entry Hood 2 Locking Points

M32 = 208-3981

PG21 = 208-3982



Technical specification:

- Material: Aluminium die-cast
- Surface: powder-coated
- Colour: (grey)
- Temperature range:
 - 40°C - +125°C
- Degree of Protection: IP65
(acc.to IEC 60529 for coupled connector)
- Cable entry: side entry
- No. of cable entries: 1
- Thread size: M/PG

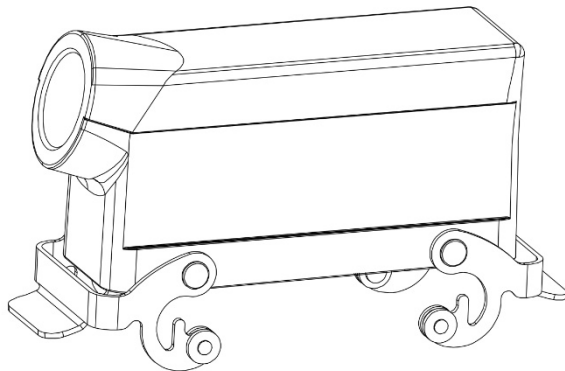
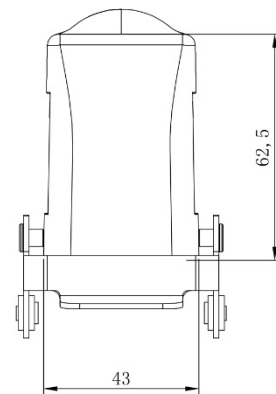
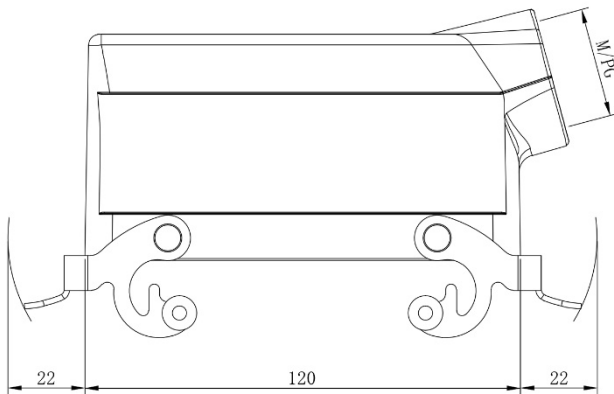
Dimensional line drawings

Side Entry Hood 2 Locking Levers

M25 = 208-3983

M32 = 208-3985

PG21 = 208-3986



Technical specification:

- Material: Aluminium die-cast
- Surface: powder-coated
- Colour: (grey)
- Temperature range:
 - 40°C - +125°C
- Degree of Protection: IP65
(acc.to IEC 60529 for coupled connector)
- Locking element:
 - locking type: double locking latch
 - material: stainless steel
- Cable entry: side entry
- No. of cable entries: 1
- Thread size: M/PG

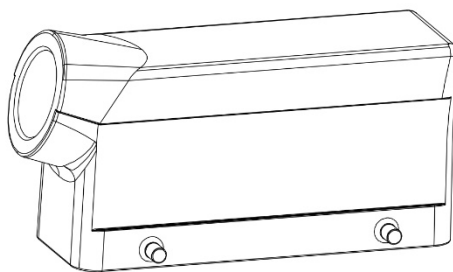
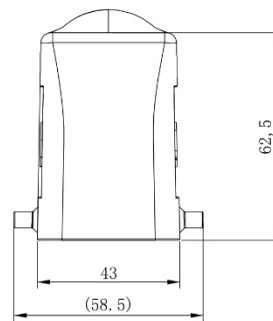
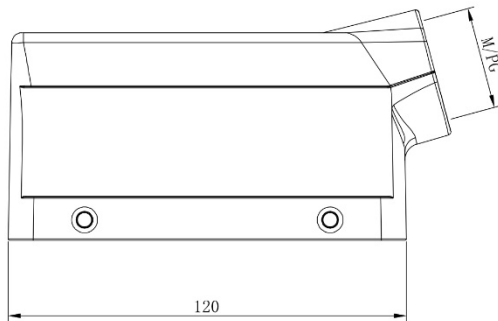
Dimensional line drawings

Side Entry Hood 4 Locking Points

M25 = 208-3987

M32 = 208-3988

PG21 = 208-3989



Technical specification:

- Material: Aluminium die-cast
- Surface: powder-coated
- Colour: (grey)
- Temperature range:
 - 40°C - +125°C
- Degree of Protection: IP65
(acc.to IEC 60529 for coupled connector)
- Cable entry: side entry
- No. of cable entries: 1
- Thread size: M/PG

Dimensional line drawings

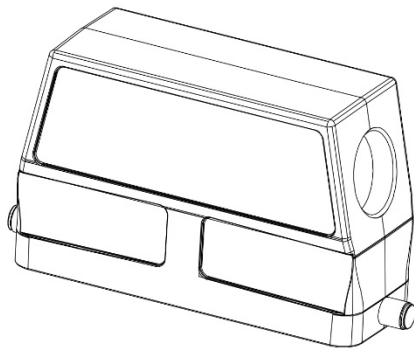
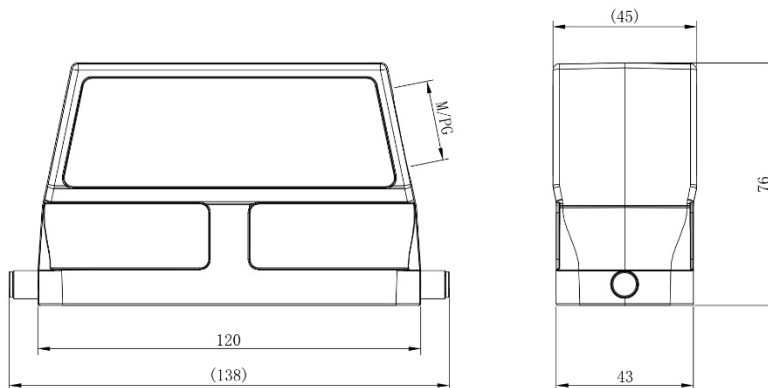
Side Entry High Hood 2 Locking Points

M32 = 208-3990

M40 = 208-3991

PG21 = 208-3992

PG29 = 208-3993



- Technical specification:
- Material: Aluminium die-cast
 - Surface: powder-coated
 - Colour: (grey)
 - Temperature range:
 - 40°C - +125°C
 - Degree of Protection: IP65
(acc.to IEC 60529 for coupled connector)
 - Cable entry: side entry
 - No. of cable entries: 1
 - Thread size: M/PG

Dimensional line drawings

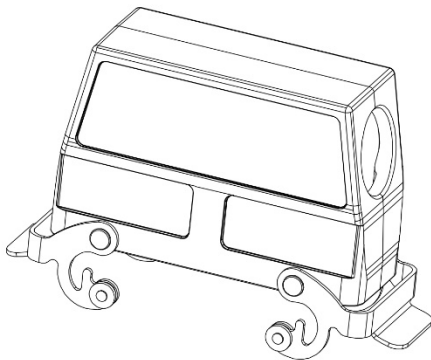
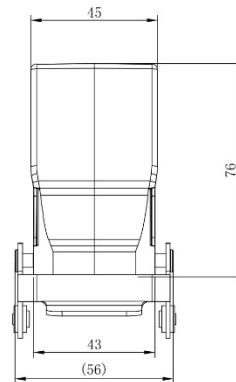
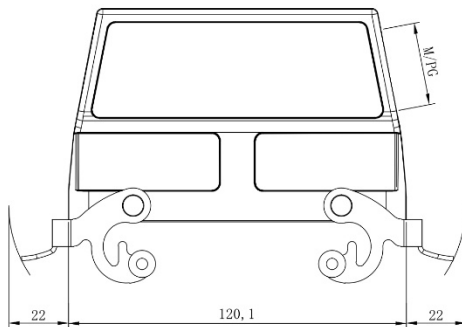
Side Entry High Hood 2 Locking Levers

M32 = 208-3995

M40 = 208-3996

PG21 = 208-3997

PG29 = 208-3998



Technical specification:

- Material: Aluminium die-cast
- Surface: powder-coated
- Colour: (grey)
- Temperature range:
 - 40 °C - +125 °C
- Degree of Protection: IP65
(acc.to IEC 60529 for coupled connector)
- Locking element:
 - locking type: double locking latch
 - material: stainless steel
- Cable entry: side entry
- No. of cable entries: 1
- Thread size: M/PG

Dimensional line drawings

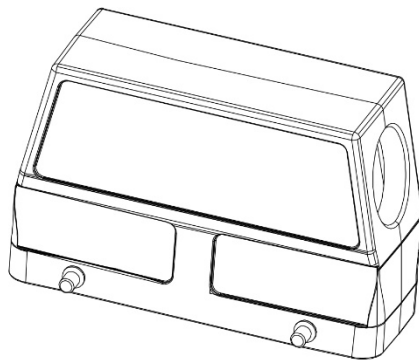
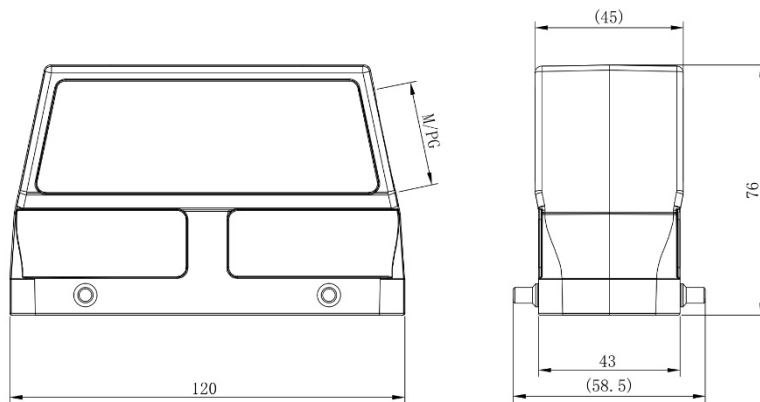
Side Entry High Hood 4 Locking Points

M32 = 208-3999

M40 = 208-4001

PG21 = 208-4002

PG29 = 208-4003



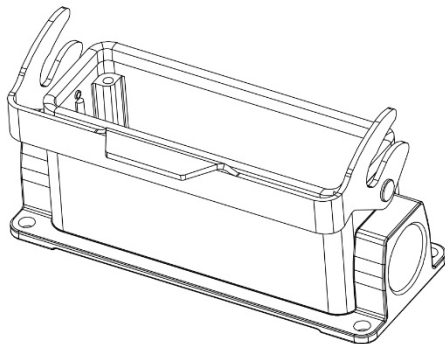
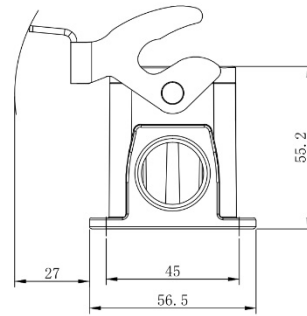
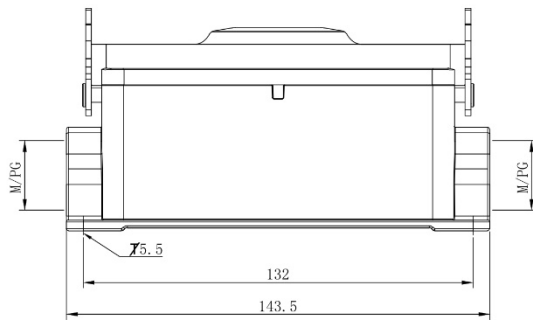
- Technical specification:
- Material: Aluminium die-cast
 - Surface: powder-coated
 - Colour: (grey)
 - Temperature range:
 - 40°C - +125°C
 - Degree of Protection: IP65
(acc.to IEC 60529 for coupled connector)
 - Cable entry: side entry
 - No. of cable entries: 1
 - Thread size: M/PG

Dimensional line drawings

Surface Mount 1 Locking Lever 2 Cable Openings

2xM25 = 208-4004

2xPG21 = 208-4005



Technical specification:

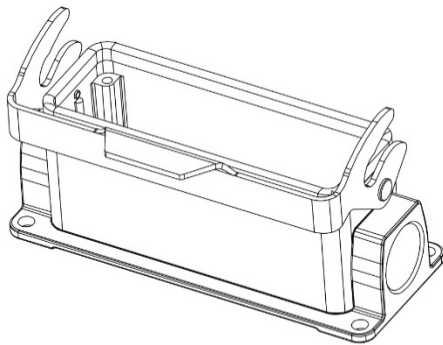
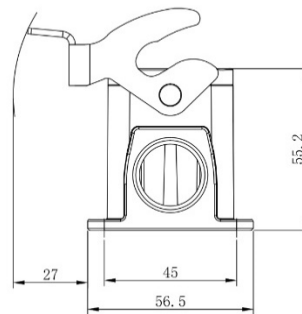
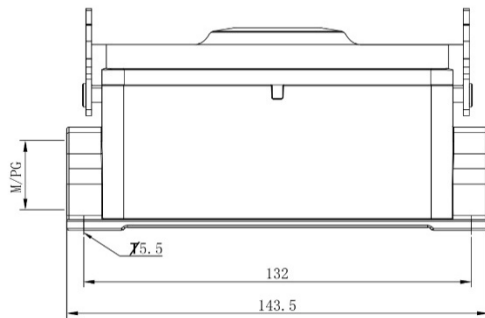
- Material: Aluminium die-cast
- Surface: powder-coated
- Colour: (grey)
- Temperature range:
 - 40°C - +125°C
- Degree of Protection: IP65
(acc.to IEC 60529 for coupled connector)
- Locking element:
 - locking type: single locking latch
 - material: metal galvanized/nickel plating
- Cable entry: side entry
- No. of cable entries: 2
- Thread size: M/PG
- Hoods/Housings sealing: NBR

Dimensional line drawings

Surface Mount 1 Locking Lever Single Cable Opening

M25 = 208-4010

PG21 = 208-4011



Technical specification:

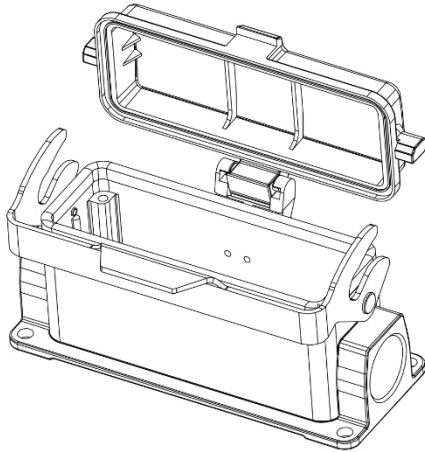
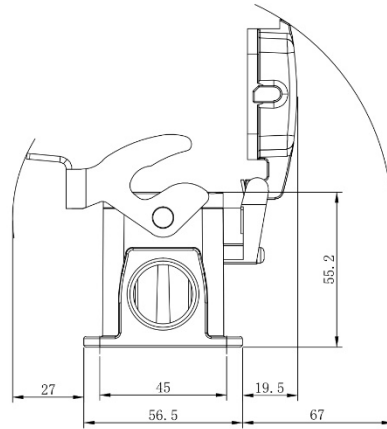
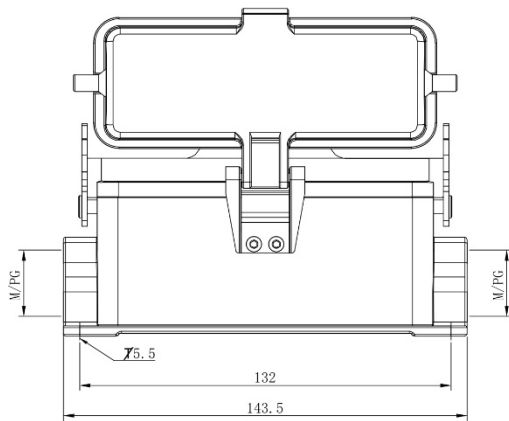
- Material: Aluminium die-cast
- Surface: powder-coated
- Colour: (grey)
- Temperature range:
 - 40°C - +125°C
- Degree of Protection: IP65
(acc.to IEC 60529 for coupled connector)
- Locking element:
 - locking type: single locking latch
 - material: metal galvanized/nickel plating
- Cable entry: side entry
- No. of cable entries: 1
- Thread size: M/PG
- Hoods/Housings sealing: NBR

Dimensional line drawings

Surface Mount 1 Locking Lever 2 Cable Openings with Plastic Cover

2xM25 = 208-4006

2xPG21 = 208-4007



Technical specification:

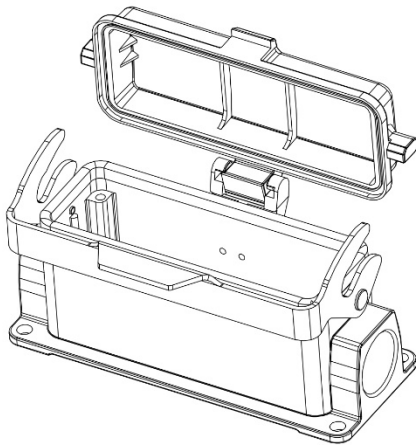
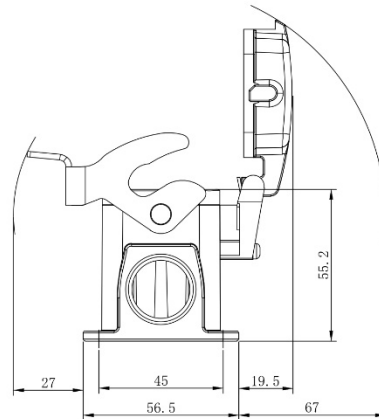
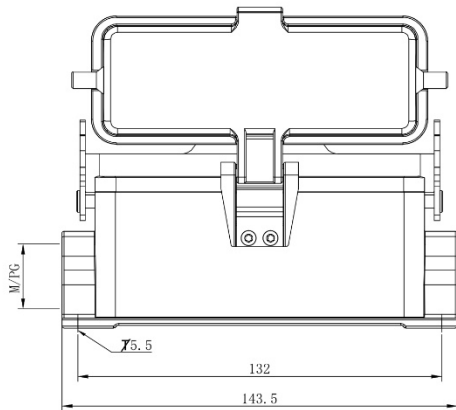
- Material: Aluminium die-cast
- Material, cover: PC
- Surface: powder-coated
- Colour: (grey)
- Temperature range:
 - 40°C - +125°C
- Degree of Protection: IP65
(acc.to IEC 60529 for coupled connector)
- Locking element:
 - locking type: single locking latch
 - material: metal galvanized/nickel plating
- Cable entry: side entry
- No. of cable entries: 2
- Thread size: M/PG
- Hoods/Housings sealing: NBR

Dimensional line drawings

Surface Mount 1 Locking Lever Single Cable Opening with Plastic Cover

M25 = 208-4008

PG21 = 208-4009



Technical specification:

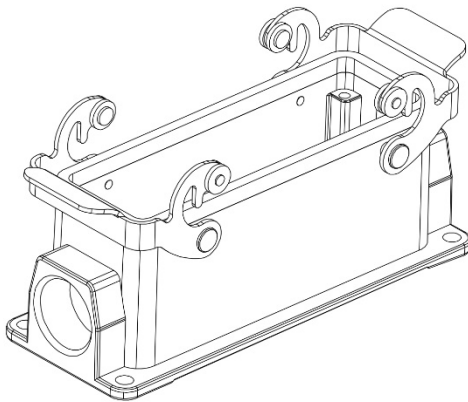
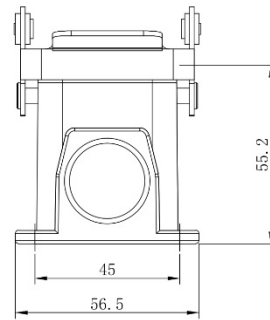
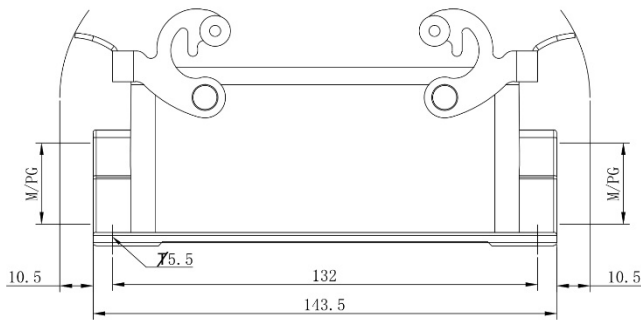
- Material: Aluminium die-cast
- Material, cover: PC
- Surface: powder-coated
- Colour: (grey)
- Temperature range:
 - 40 °C - +125 °C
- Degree of Protection: IP65
(acc.to IEC 60529 for coupled connector)
- Locking element:
 - locking type: single locking latch
 - material: metal galvanized/nickel plating
- Cable entry: side entry
- No. of cable entries: 1
- Thread size: M/PG
- Hoods/Housings sealing: NBR

Dimensional line drawings

Surface Mount 2 Locking Levers 2 Cable Openings

2xM25 = 208-4012

2xPG16 = 208-4013



Technical specification:

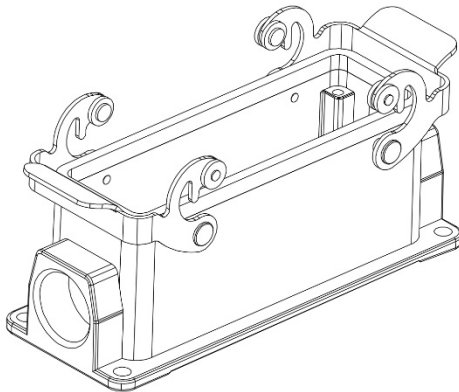
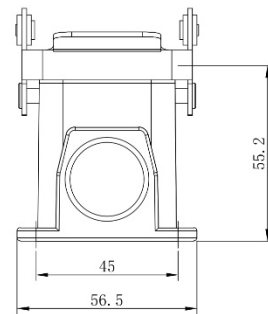
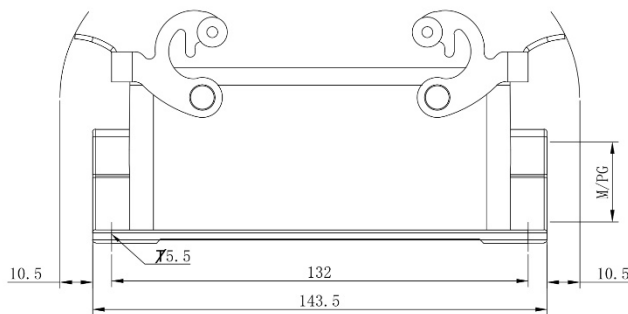
- Material: Aluminium die-cast
- Surface: powder-coated
- Colour: (grey)
- Temperature range:
 - 40°C - +125°C
- Degree of Protection: IP65
(acc.to IEC 60529 for coupled connector)
- Locking element:
 - locking type: double locking latch
 - material: stainless steel
- Cable entry: side entry
- No. of cable entries: 2
- Thread size: M/PG
- Hoods/Housings sealing: NBR

Dimensional line drawings

Surface Mount 2 Locking Levers Single Cable Opening

M25 = 208-4014

PG21 = 208-4015



Technical specification:

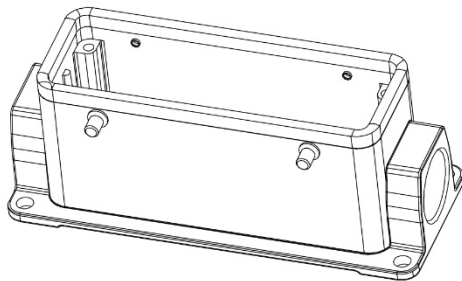
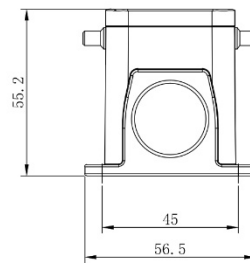
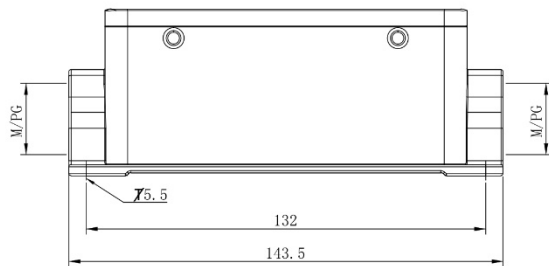
- Material: Aluminium die-cast
- Surface: powder-coated
- Colour: (grey)
- Temperature range:
 - 40°C - +125°C
- Degree of Protection: IP65
(acc.to IEC 60529 for coupled connector)
- Locking element:
 - locking type: double locking latch
 - material: stainless steel
- Cable entry: side entry
- No. of cable entries: 1
- Thread size: M/PG
- Hoods/Housings sealing: NBR

Dimensional line drawings

Surface Mount 4 Locking Points 2 Cable Openings

2xM25 = 208-4017

2xPG21 = 208-4018



Technical specification:

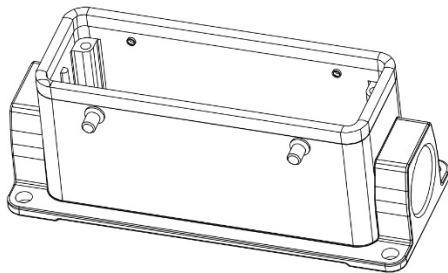
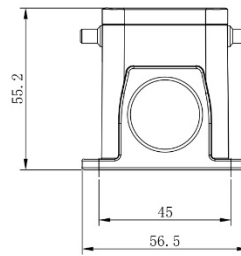
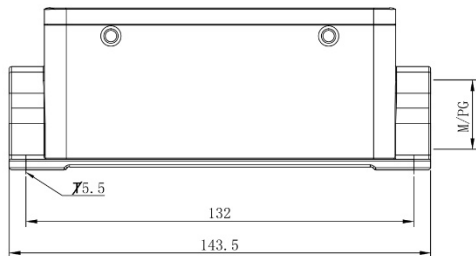
- Material: Aluminium die-cast
- Surface: powder-coated
- Colour: (grey)
- Temperature range:
 - 40°C - +125°C
- Degree of Protection: IP65
(acc.to IEC 60529 for coupled connector)
- Cable entry: side entry
- No. of cable entries: 2
- Thread size: M/PG
- Hoods/Housings sealing: NBR

Dimensional line drawings

Surface Mount 4 Locking Points Single Cable Opening

M25 = 208-4024

PG21 = 208-4025



Technical specification:

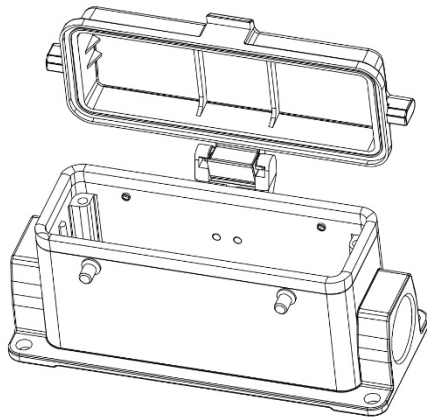
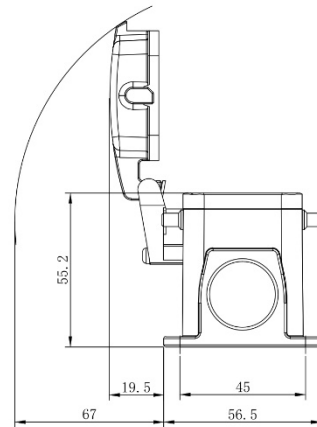
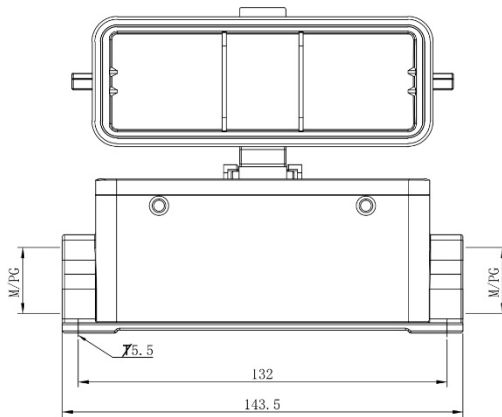
- Material: Aluminium die-cast
- Surface: powder-coated
- Colour: (grey)
- Temperature range:
 - 40°C - +125°C
- Degree of Protection: IP65
(acc.to IEC 60529 for coupled connector)
- Cable entry: side entry
- No. of cable entries: 1
- Thread size: M/PG
- Hoods/Housings sealing: NBR

Dimensional line drawings

Surface Mount 4 Locking Points 2 Cable Openings with Plastic Cover

2xM25 = 208-4019

2xPG21 = 208-4020



Technical specification:

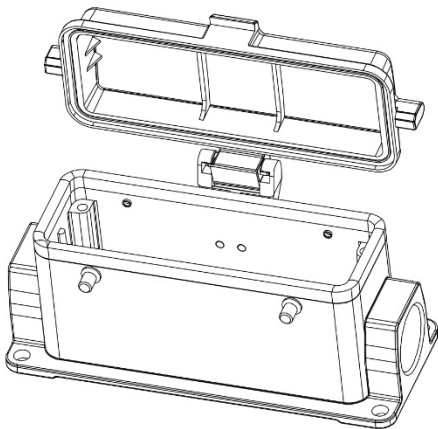
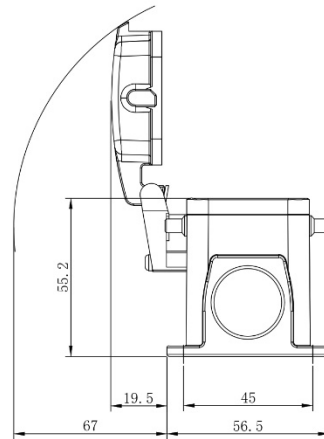
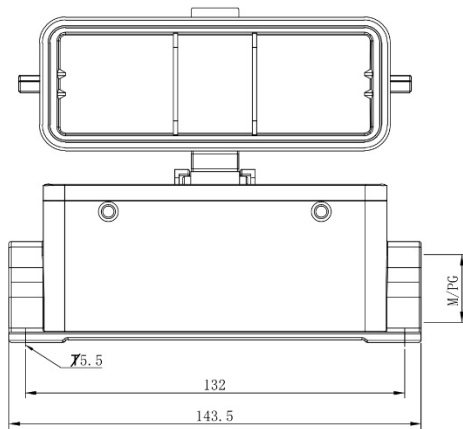
- Material: Aluminium die-cast
- Material, cover: PC
- Surface: powder-coated
- Colour: (grey)
- Temperature range:
 - 40°C - +125°C
- Degree of Protection: IP65
(acc.to IEC 60529 for coupled connector)
- Cable entry: side entry
- No. of cable entries: 2
- Thread size: M/PG
- Hoods/Housings sealing: NBR

Dimensional line drawings

Surface Mount 4 Locking Points Single Cable Opening with Plastic Cover

M25 = 208-4021

PG21 = 208-4023



Technical specification:

- Material: Aluminium die-cast
- Material, cover: PC
- Surface: powder-coated
- Colour: (grey)
- Temperature range: -40°C - +125°C
- Degree of Protection: IP65
(acc.to IEC 60529 for coupled connector)
- Cable entry: side entry
- No. of cable entries: 1
- Thread size: M/PG
- Hoods/Housings sealing: NBR

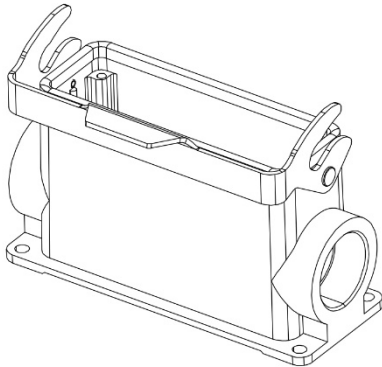
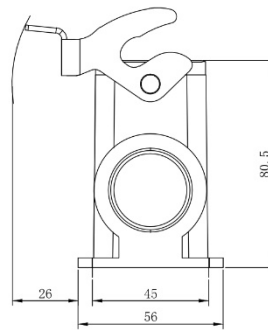
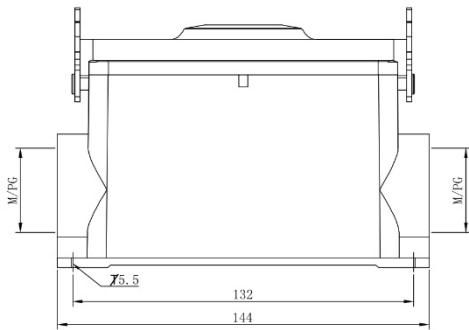
Dimensional line drawings

High Surface Mount 1 Locking Lever 2 Cable Openings

2xM32 = 208-4026

2xPG21 = 208-4027

2xPG29 = 208-4028



Technical specification:

- Material: Aluminium die-cast
- Surface: powder-coated
- Colour: (grey)
- Temperature range:
 - 40°C - +125°C
- Degree of Protection: IP65
(acc.to IEC 60529 for coupled connector)
- Locking element:
 - locking type: single locking latch
 - material: metal galvanized/nickel plating
- Cable entry: side entry
- No. of cable entries: 2
- Thread size: M/PG
- Hoods/Housings sealing: NBR

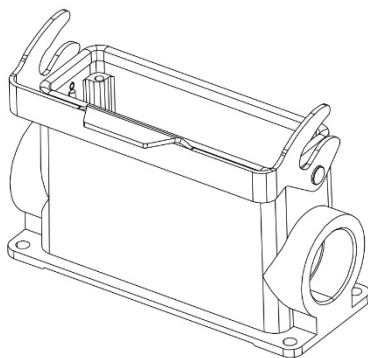
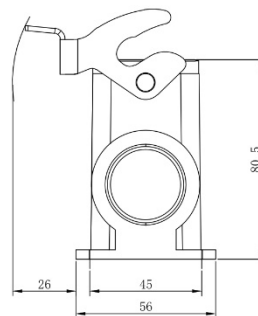
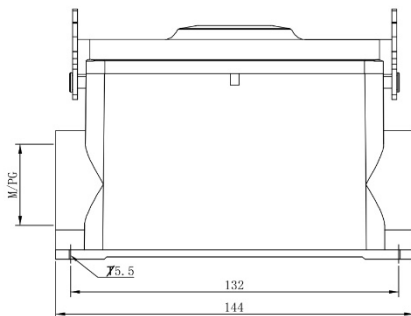
Dimensional line drawings

High Surface Mount 1 Locking Lever Single Cable Opening

M32 = 208-4035

PG21 = 208-4036

PG29 = 208-4037



Technical specification:

- Material: Aluminium die-cast
- Surface: powder-coated
- Colour: (grey)
- Temperature range:
 - 40°C - +125°C
- Degree of Protection: IP65
(acc.to IEC 60529 for coupled connector)
- Locking element:
 - locking type: single locking latch
 - material: metal galvanized/nickel plating
- Cable entry: side entry
- No. of cable entries: 1
- Thread size: M/PG
- Hoods/Housings sealing: NBR

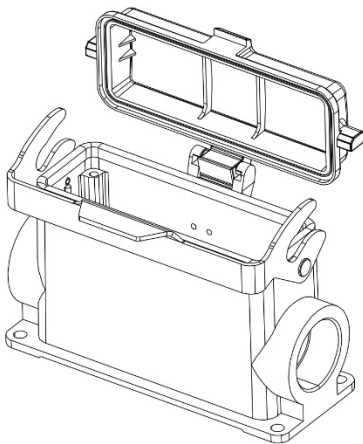
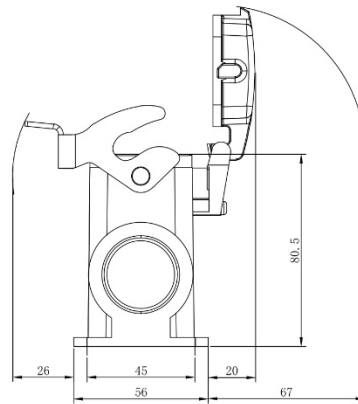
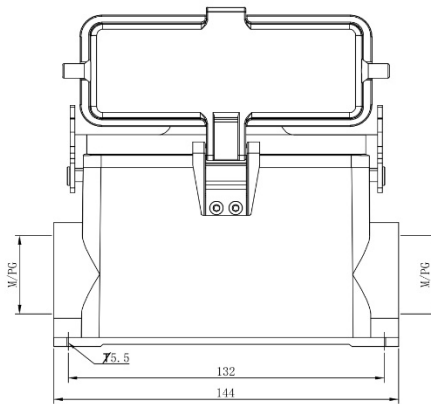
Dimensional line drawings

High Surface Mount 1 Locking Lever 2 Cable Openings with Plastic Cover

2xM32 = 208-4029

2xPG21 = 208-4030

2xPG29 = 208-4031



Technical specification:

- Material: Aluminium die-cast
- Material, cover: PC
- Surface: powder-coated
- Colour: (grey)
- Temperature range:
 - 40°C - +125°C
- Degree of Protection: IP65
(acc.to IEC 60529 for coupled connector)
- Locking element:
 - locking type: single locking latch
 - material: metal galvanized/nickel plating
- Cable entry: side entry
- No. of cable entries: 2
- Thread size: M/PG
- Hoods/Housings sealing: NBR

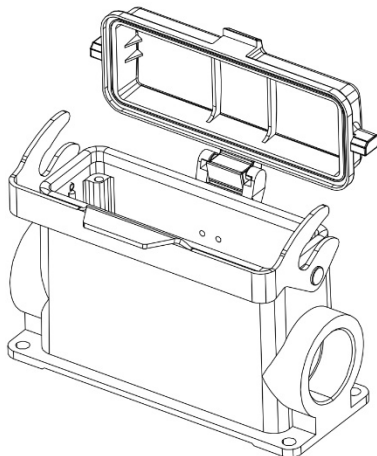
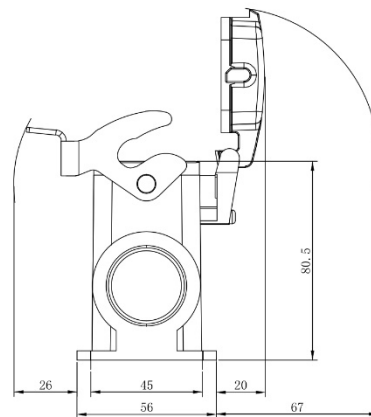
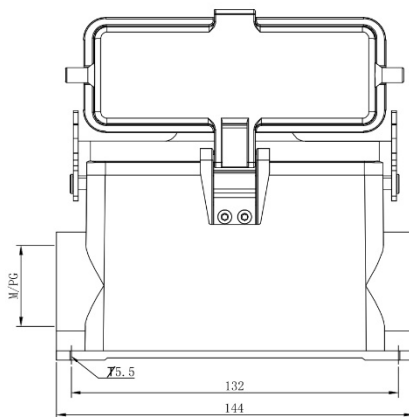
Dimensional line drawings

High Surface Mount 1 Locking Lever Single Cable Opening with Plastic Cover

M32 = 208-4032

PG21 = 208-4033

PG29 = 208-4034



Technical specification:

- Material: Aluminium die-cast
- Material, cover: PC
- Surface: powder-coated
- Colour: (grey)
- Temperature range:
 - 40°C - +125°C
- Degree of Protection: IP65
(acc.to IEC 60529 for coupled connector)
- Locking element:
 - locking type: single locking latch
 - material: metal galvanized/nickel plating
- Cable entry: side entry
- No. of cable entries: 1
- Thread size: M/PG
- Hoods/Housings sealing: NBR

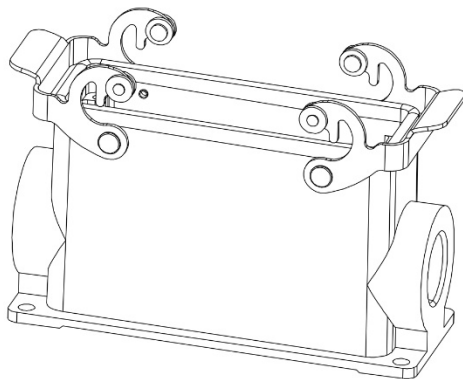
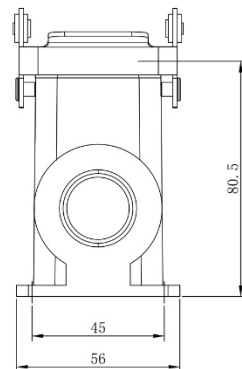
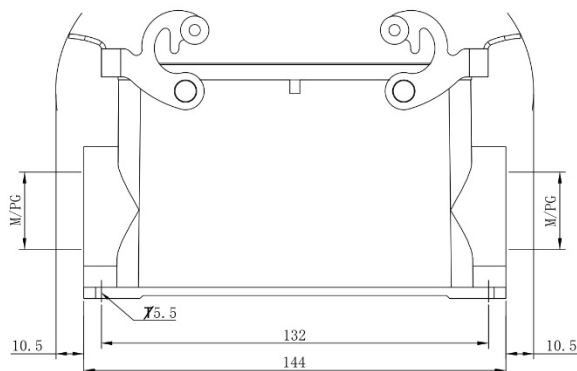
Dimensional line drawings

High Surface Mount 2 Locking Lever 2 Cable Openings 2xM32 = 208-4039

2xM40 = 208-4040

2xPG21 = 208-4041

2xPG29 = 208-4042



Technical specification:

- Material: Aluminium die-cast
- Surface: powder-coated
- Colour: (grey)
- Temperature range:
 - 40°C - +125°C
- Degree of Protection: IP65
(acc.to IEC 60529 for coupled connector)
- Locking element:
 - locking type: double locking latch
 - material: stainless steel
- Cable entry: side entry
- No. of cable entries: 2
- Thread size: M/PG
- Hoods/Housings sealing: NBR

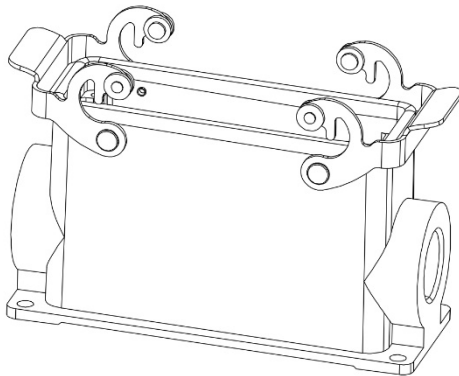
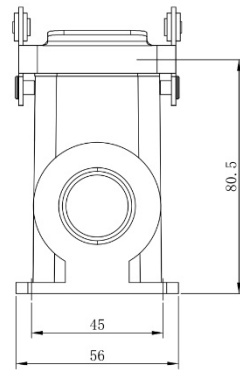
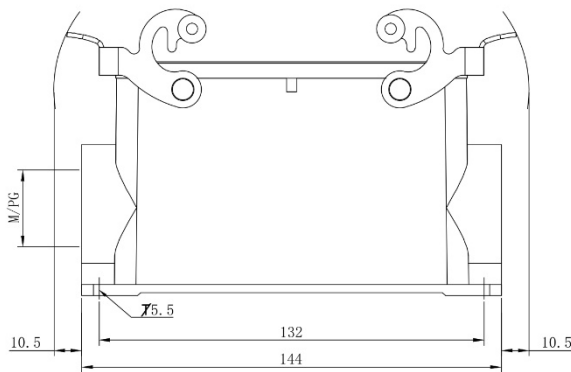
Dimensional line drawings

High Surface Mount 2 Locking Lever Single Cable Opening

M32 = 208-4043

PG21 = 208-4045

PG29 = 208-4046



Technical specification:

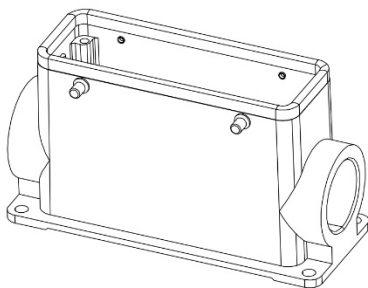
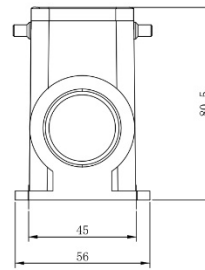
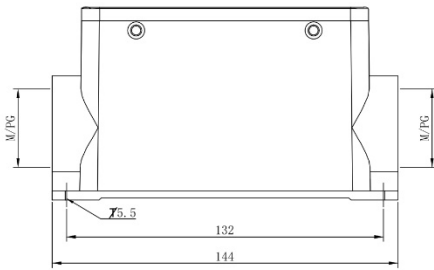
- Material: Aluminium die-cast
- Surface: powder-coated
- Colour: (grey)
- Temperature range:
 - 40 °C - +125 °C
- Degree of Protection: IP65
(acc.to IEC 60529 for coupled connector)
- Locking element:
 - locking type: double locking latch
 - material: stainless steel
- Cable entry: side entry
- No. of cable entries: 1
- Thread size: M/PG
- Hoods/Housings sealing: NBR

Dimensional line drawings

High Surface Mount 4 Locking Points 2 Cable Openings 2xM32 = 208-4047

2xPG21 = 208-4048

2xPG29 = 208-4049



Technical specification:

- Material: Aluminium die-cast
- Surface: powder-coated
- Colour: (grey)
- Temperature range:
 - 40°C - +125°C
- Degree of Protection: IP65
(acc.to IEC 60529 for coupled connector)
- Cable entry: side entry
- No. of cable entries: 2
- Thread size: M/PG
- Hoods/Housings sealing: NBR

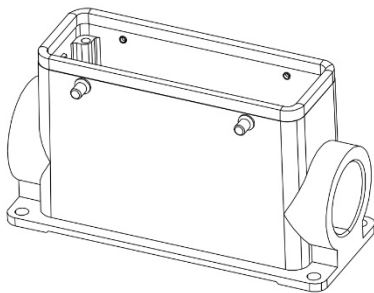
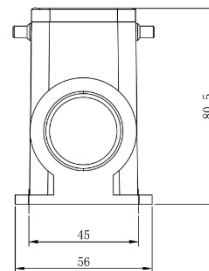
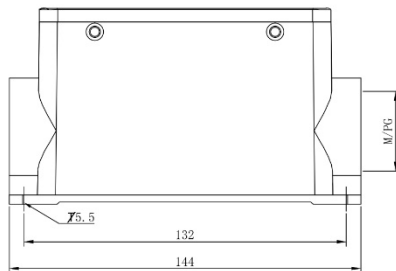
Dimensional line drawings

High Surface Mount 4 Locking Points Single Cable Opening

M32 = 208-4057

PG21 = 208-4058

PG29 = 208-4059



Technical specification:

- Material: Aluminium die-cast
- Surface: powder-coated
- Colour: (grey)
- Temperature range:
 - 40°C - +125°C
- Degree of Protection: IP65
(acc.to IEC 60529 for coupled connector)
- Cable entry: side entry
- No. of cable entries: 1
- Thread size: M/PG
- Hoods/Housings sealing: NBR

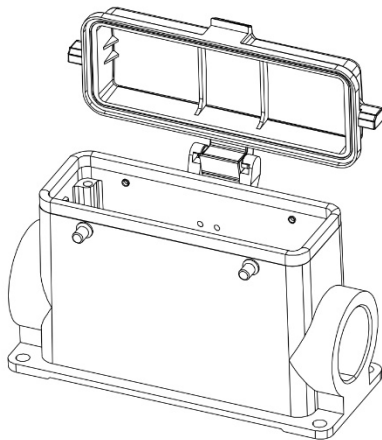
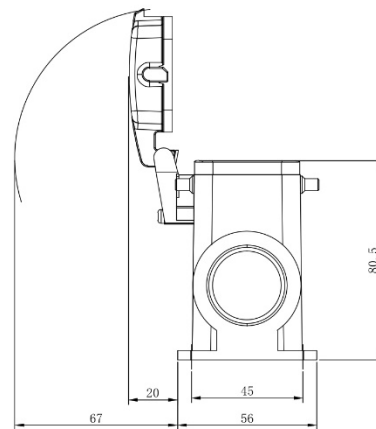
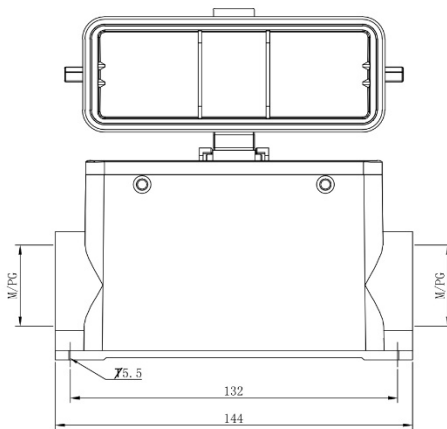
Dimensional line drawings

High Surface Mount 4 Locking Points 2 Cable Openings with Plastic Cover

2xM32 = 208-4051

2xPG21 = 208-4052

2xPG29 = 208-4053



Technical specification:

- Material: Aluminium die-cast
- Material, cover: PC
- Surface: powder-coated
- Colour: (grey)
- Temperature range:
 - 40°C - +125°C
- Degree of Protection: IP65
(acc.to IEC 60529 for coupled connector)
- Cable entry: side entry
- No. of cable entries: 2
- Thread size: M/PG
- Hoods/Housings sealing: NBR

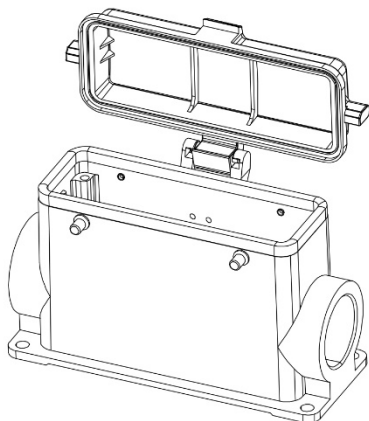
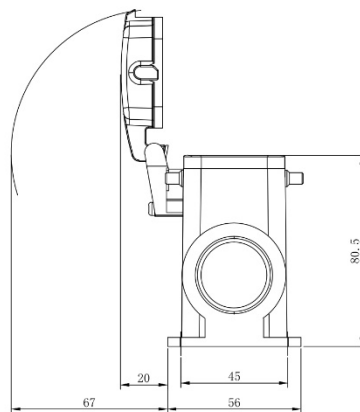
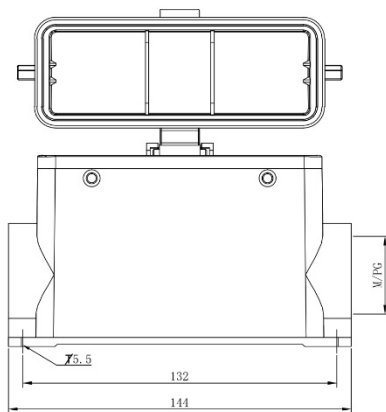
Dimensional line drawings

High Surface Mount 4 Locking Points Single Cable Opening with Plastic Cover

M32 = 208-4054

PG21 = 208-4055

PG29 = 208-4056



Technical specification:

- Material: Aluminium die-cast
- Material, cover: PC
- Surface: powder-coated
- Colour: (grey)
- Temperature range:
 - 40°C - +125°C
- Degree of Protection: IP65
(acc.to IEC 60529 for coupled connector)
- Cable entry: side entry
- No. of cable entries: 1
- Thread size: M/PG
- Hoods/Housings sealing: NBR

Dimensional line drawings

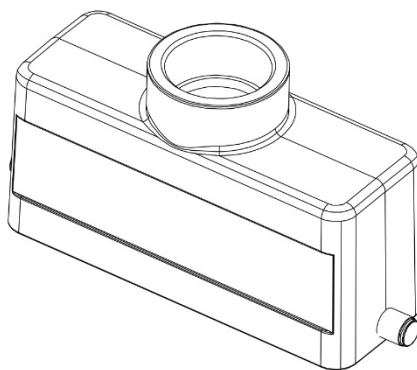
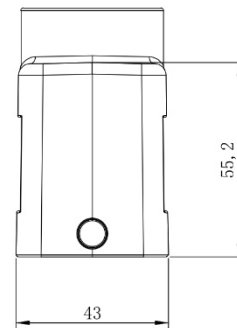
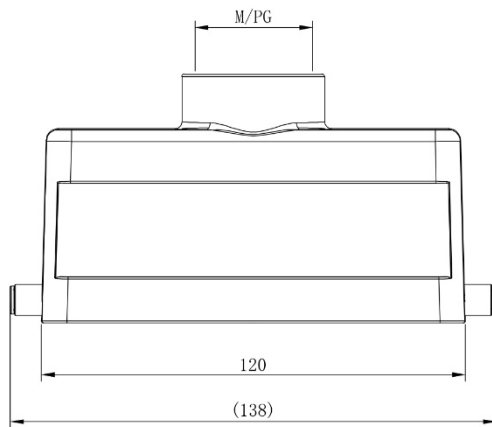
Top Entry Hood 2 Locking Points

M25 = 208-4060

M32 = 208-4061

PG21 = 208-4062

PG29 = 208-4063



Technical specification:

- Material: Aluminium die-cast
- Surface: powder-coated
- Colour: (grey)
- Temperature range:
 - 40°C - +125°C
- Degree of Protection: IP65
(acc.to IEC 60529 for coupled connector)
- Cable entry: top entry
- No. of cable entries: 1
- Thread size: M/PG

Dimensional line drawings

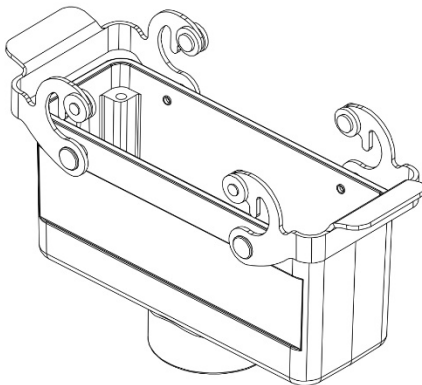
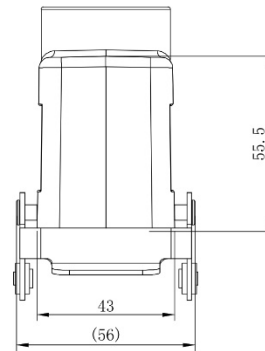
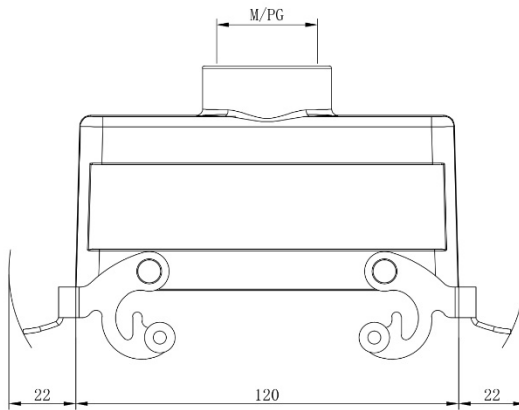
Top Entry Hood 2 Locking Levers

M25 = 208-4064

M32 = 208-4065

PG21 = 208-4066

PG29 = 208-4067



Technical specification:

- Material: Aluminium die-cast
- Surface: powder-coated
- Colour: (grey)
- Temperature range: -40°C - +125°C
- Degree of Protection: IP65
(acc.to IEC 60529 for coupled connector)
- Locking element:
 - locking type: double locking latch
 - material: stainless steel
- Cable entry: top entry
- No. of cable entries: 1
- Thread size: M/PG

Dimensional line drawings

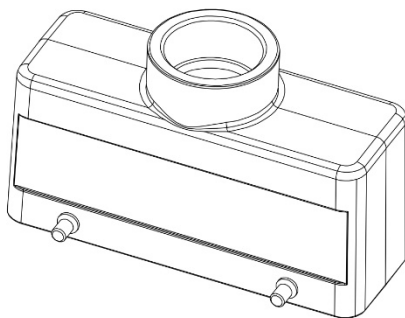
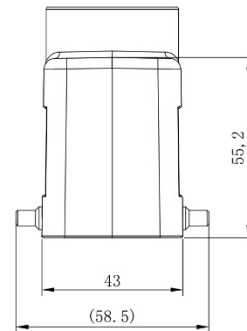
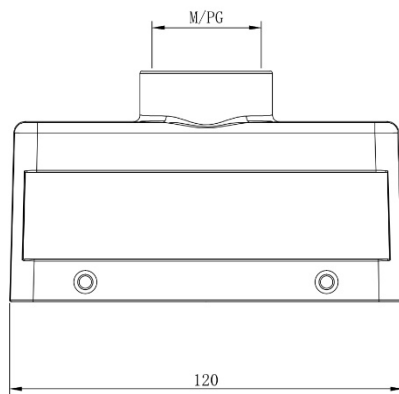
Top Entry Hood 4 Locking Points

M25 = 208-4068

M32 = 208-4069

PG21 = 208-4070

PG29 = 208-4071



Technical specification:

- Material: Aluminium die-cast
- Surface: powder-coated
- Colour: (grey)
- Temperature range:
 - 40°C - +125°C
- Degree of Protection: IP65
(acc.to IEC 60529 for coupled connector)
- Cable entry: top entry
- No. of cable entries: 1
- Thread size: M/PG

Dimensional line drawings

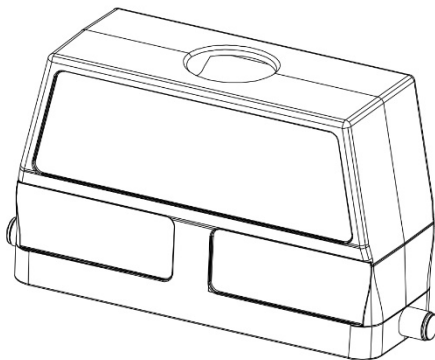
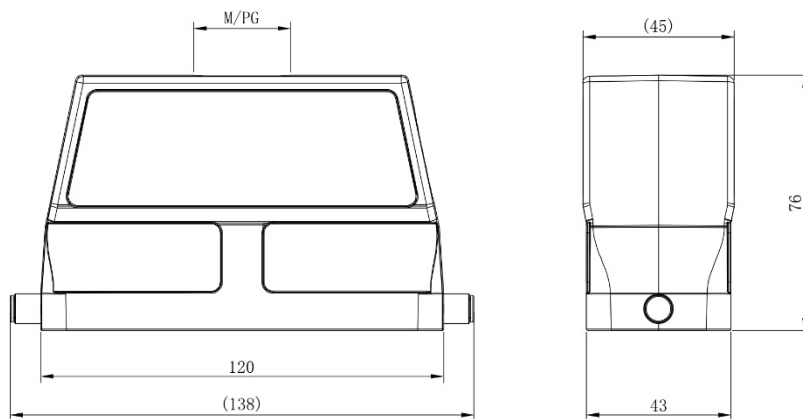
Top Entry High Hood 2 Locking Points

M32 = 208-4073

M40 = 208-4074

PG21 = 208-4075

PG29 = 208-4076



Technical specification:

- Material: Aluminium die-cast
- Surface: powder-coated
- Colour: (grey)
- Temperature range: -40 °C - +125 °C
- Degree of Protection: IP65
(acc.to IEC 60529 for coupled connector)
- Cable entry: top entry
- No. of cable entries: 1
- Thread size: M/PG

Dimensional line drawings

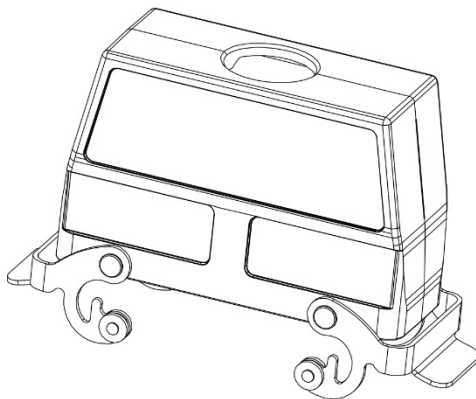
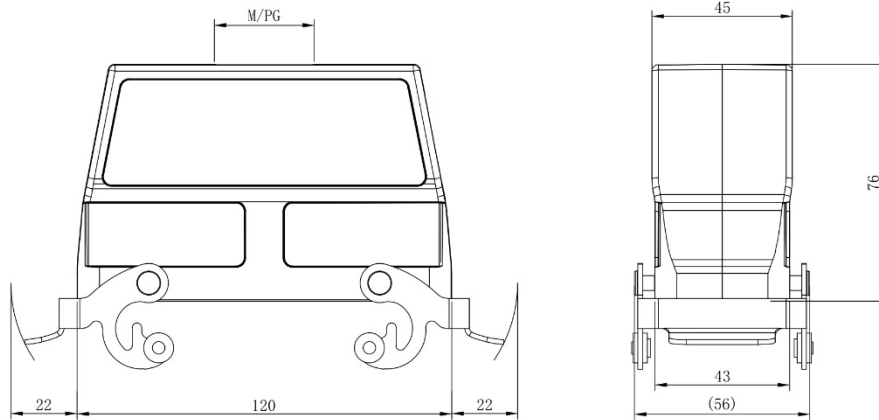
Top Entry High Hood 2 Locking Levers

M32 = 208-4078

M40 = 208-4079

PG21 = 208-4080

PG29 = 208-4081



Technical specification:

- Material: Aluminium die-cast
- Surface: powder-coated
- Colour: (grey)
- Temperature range:
 - 40 °C - +125 °C
- Degree of Protection: IP65
(acc.to IEC 60529 for coupled connector)
- Locking element:
 - locking type: double locking latch
 - material: stainless steel
- Cable entry: top entry
- No. of cable entries: 1
- Thread size: M/PG

Dimensional line drawings

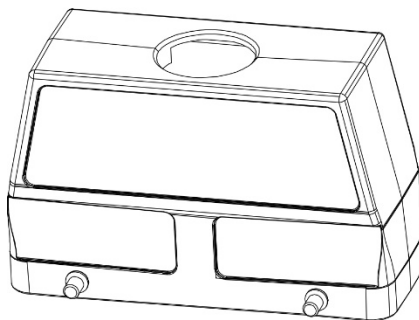
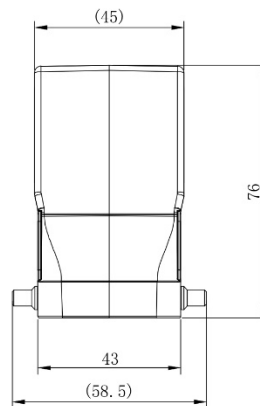
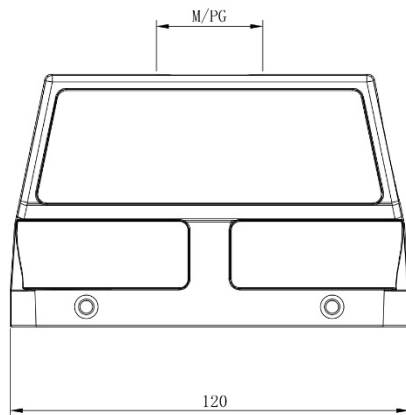
Top Entry High Hood 4 Locking Points

M32 = 208-4082

M40 = 208-4083

PG21 = 208-4084

PG29 = 208-4085



Technical specification:

- Material: Aluminium die-cast
- Surface: powder-coated
- Colour: (grey)
- Temperature range:
 - 40°C - +125°C
- Degree of Protection: IP65
(acc.to IEC 60529 for coupled connector)
- Cable entry: top entry
- No. of cable entries: 1
- Thread size: M/PG